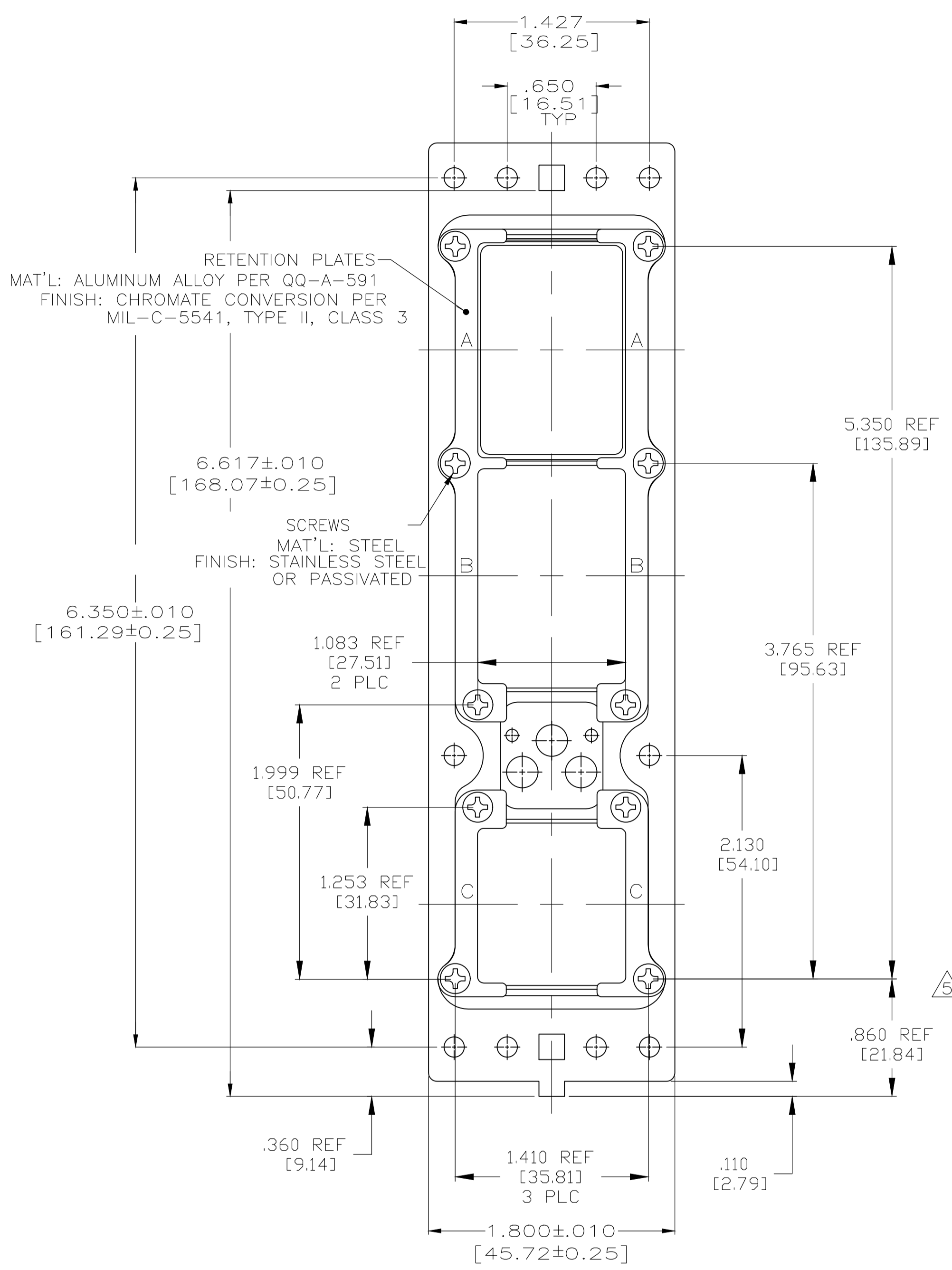
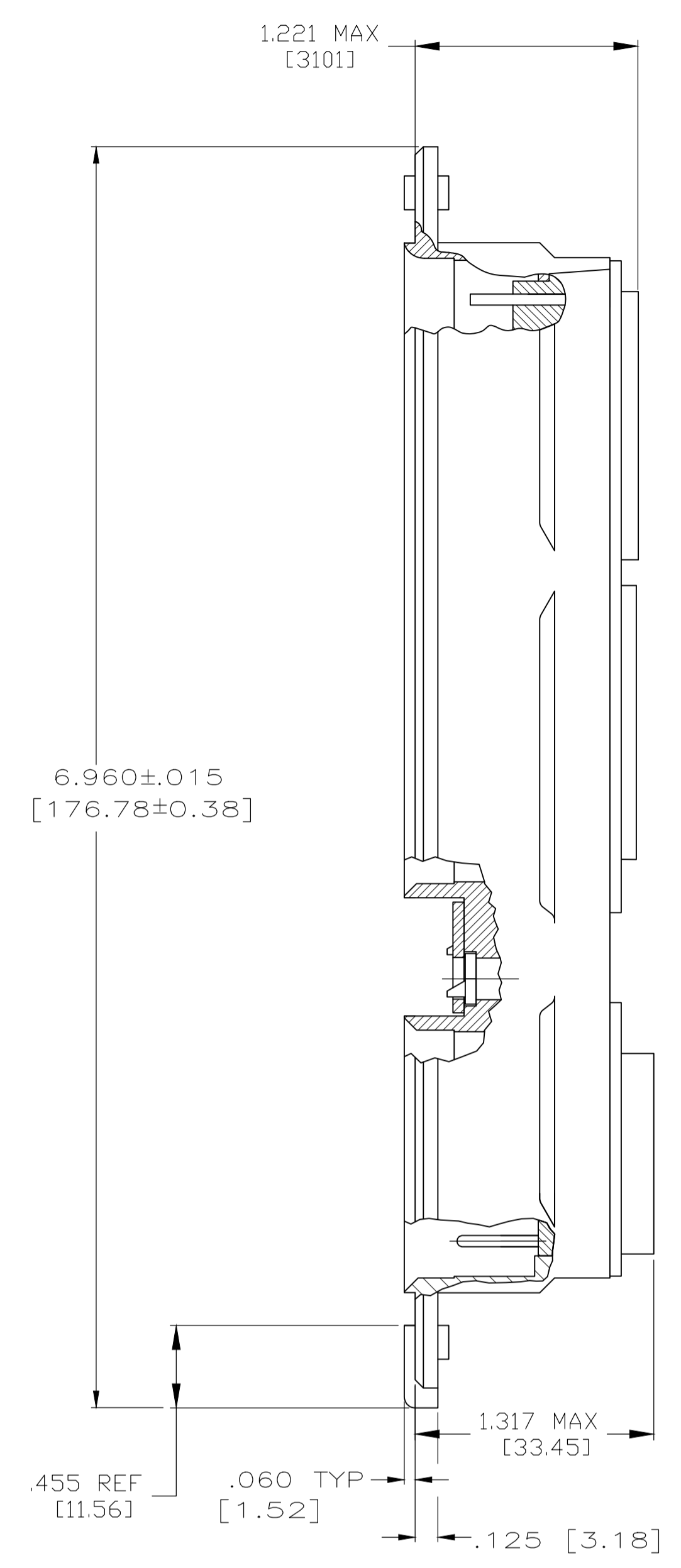
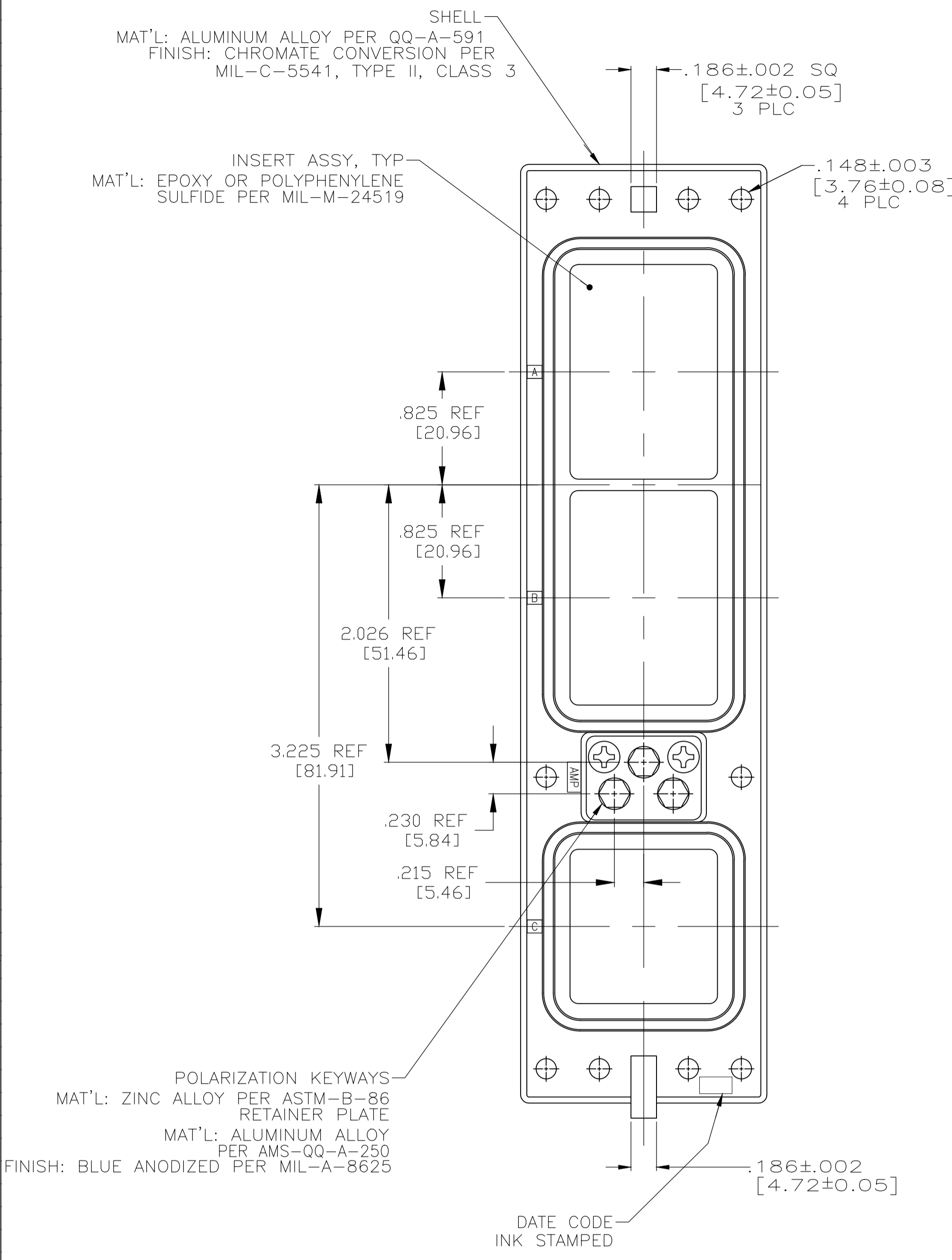


REVISIONS				
P	LTR	DESCRIPTION	DATE	APP'D
AC	REVISED PER	ECO-17-018523	19JAN2018	PHM CT



NIC66G23FA01FF0	4-211991-5
NIC66G21FA00GDO	4-211991-4
△ 1	4-211991-3
△ 10	4-211991-2
△ 10	4-211991-1
NIC66G21FA01FKO △ 8	4-211991-0
△ 8	3-211991-9
△ 8	3-211991-8
NIC66G21FA07GDO	3-211991-7
NIC66G29FA02FA1	3-211991-6
NIC66G21FA01GJO	3-211991-5
NIC66G20FA01FA1	3-211991-4
NIC66G20FA00FA1	3-211991-3
-	3-211991-2
-	3-211991-1
NIC66G21FA04FFO	3-211991-0
-	2-211991-9
-	2-211991-8
△ 5 NIC66G21FA06GFO	2-211991-7
NIC66G21FA09GDO	2-211991-6
-	2-211991-5
NIC66G22FA00CC1	2-211991-4
NIC66G25FA00CC1	2-211991-3
NIC66G23FA00CC1	2-211991-2
NIC66G20FA08FBO	2-211991-1
NIC66G20FA03FBO	2-211991-0
-	1-211991-9
NIC66G29FA01FA1	1-211991-8
NIC66G23FA02FA1	1-211991-7
NIC66G21FA09GDO	1-211991-6
-	1-211991-5
NIC66G21FA02FFO	1-211991-4
-	1-211991-3
NIC66G26FA8GD0	1-211991-2
NIC66G21FA01FC0	1-211991-1
NIC66G21FA01CC1	1-211991-0
NIC66G21FA00CC1	211991-9
NIC66G26FA01FA1	211991-8
-	211991-7
NIC66G21FA01SB1	211991-6
NIC66G21FA01GDO	211991-5
NIC66G23FA91FA1	211991-4
NIC66G25FA01FA1	211991-3
NIC66G21FA FA1	211991-2
NIC66G23FA01FA1	211991-1

- CONTACTS ARE SHOWN IN POSITION FOR ILLUSTRATION ONLY. FOR SHIPMENT CONTACTS ARE INCLUDED IN A CONTAINER WITHIN THE CONNECTOR PACKAGE, UNLESS OTHERWISE SPECIFIED. COAX CONTACTS ARE NOT SUPPLIED AND MUST BE ORDERED SEPARATELY.
- ALL CONTACTS CAVITIES IN MODULES A & B ARE LOCATED WITHIN .006 [0.15] DIA TRUE POSITION. ALL CONTACT CAVITIES IN MODULE C ARE LOCATED WITHIN .020 [0.51] DIA TRUE POSITION.
- POLARIZING KEYS SHOWN IN POSITION 01 FOR ILLUSTRATION ONLY. CONNECTORS SHIPPED WITH KEYING PER ORDERING INSTRUCTIONS. CONTACT INSERTS AS SHOWN FOR ILLUSTRATION ONLY. SEE TABLE FOR DESCRIPTIVE NUMBER.
- FRONT RELEASE FEATURE PERTAINS TO SIGNAL INSERTS ONLY.
- △ ALL CONTACTS SUPPLIED ARE LOADED IN THE CONNECTOR.
- △ SPECIAL WITH INSERTS 150/150/OPEN. STANDARD MOUNTING. SIZE 22 CONTACTS (211431-4) LOADED IN THE 150 POSN. INSERT. (2 PLC)
- △ SPECIAL WITH INSERTS 150/OPEN/OPEN. STANDARD MOUNTING. SIZE 22 CONTACTS (211431-4) LOADED IN THE 150 POSN. INSERT.
- △ PRELIMINARY PART NUMBER, NOT RELEASED FOR PRODUCTION.
- △ SPECIAL WITH INSERTS FR 150/FR 71C1/RR 34. SIX #4-40 CLINCH NUTS. 220 SIZE 22 POSTED SOCKET CONTACTS (211431-2) LOADED IN THE 150 AND 71C1 INSERTS. ALL OTHER CONTACTS ORDERED SEPARATELY. KEYED IN POSITION *01*.
- △ SAME AS 3-211991-0 EXCEPT SIZE 22 CONTACTS ARE SOLDER DIPPED.
- △ SPECIAL WITH INSERTS 150/121/100 ALL FRONT RELEASE AND LOADED WITH .250 [6.35] EXTENSION POSTED CONTACTS. SIX #6-32 CLINCH NUTS. KEYED IN POSITION *01*.
- ALL DIMENSIONS PER ARINC 600 SPECIFICATIONS.

.025 SQUARE FRONT RELEASE #22 CONTACTS	-	-	-	.500 [12.70]	211431-8
	3	.500 [12.70]	211245-6	.375 [9.53]	211431-6
	2	.375 [9.53]	211245-4	.250 [6.35]	211431-4
	1	.250 [6.35]	211245-2	.150 [3.81]	211431-2
NUMBER OF WRAPS	MIN POST EXTENSION FROM REAR OF INSERT	AMP PART NUMBER		MIN EXTENSION FROM REAR OF INSERT	AMP PART NUMBER

CONTACTS

THIS DRAWING IS A CONTROLLED DOCUMENT.

DIN C.C.THOMAS 11-27-95
CHK R.GROSS 4-11-96
NAME R.GROSS 4-11-96

TE Connectivity Ltd.

CONNECTOR ASSY, SIZE 2 CLASS A, RCPT, ARINC-600 FRONT RELEASE

SIZE A1 CASE CODE 00779 DRAWING NO. 211991

CUSTOMER DRAWING SCALE 1.5:1 SHEET 1 OF 1 REV AC

单击下面可查看定价，库存，交付和生命周期等信息

[>>TE Connectivity\(泰科\)](#)