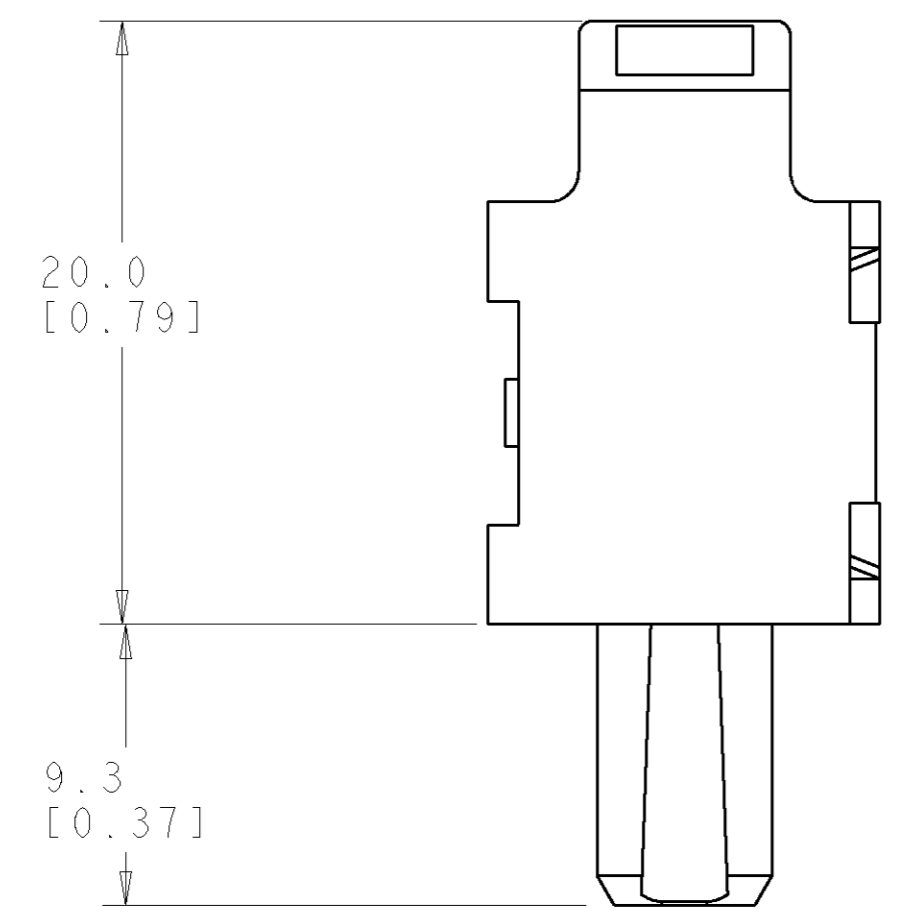


THIS DRAWING IS UNPUBLISHED. RELEASED FOR PUBLICATION 20
 © COPYRIGHT 20 BY TYCO ELECTRONICS CORPORATION. ALL RIGHTS RESERVED.

LOC		DIST		REVISIONS			
P	LTR	DESCRIPTION	DATE	DWN	APVD		
	A	RELEASED	16FEB07	RG	PD		

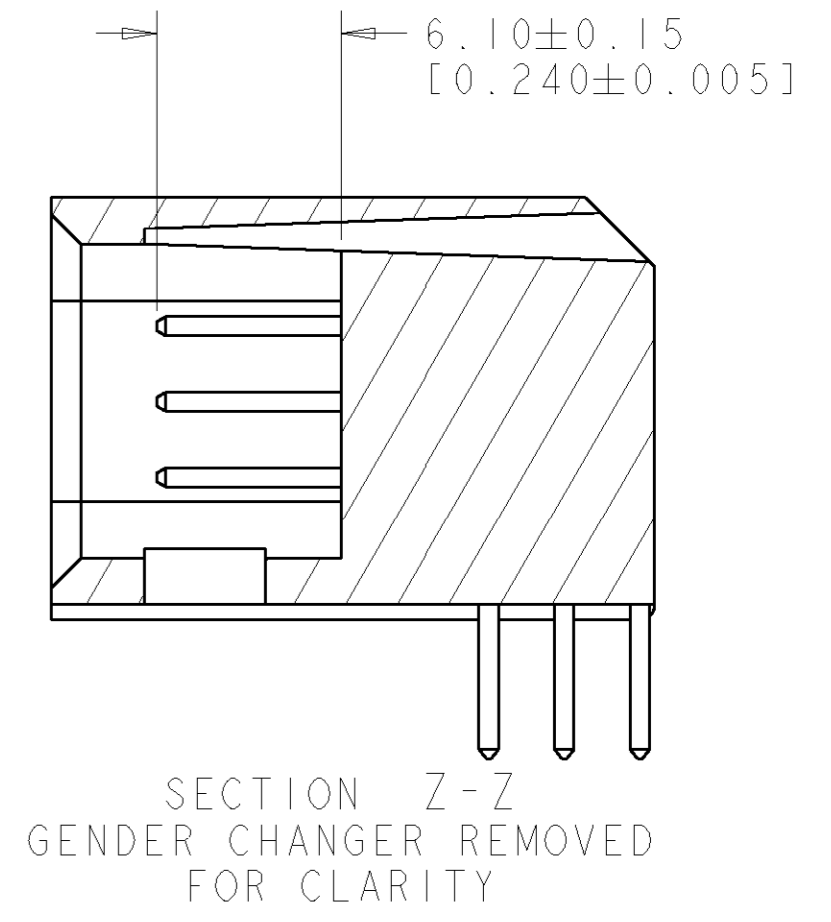
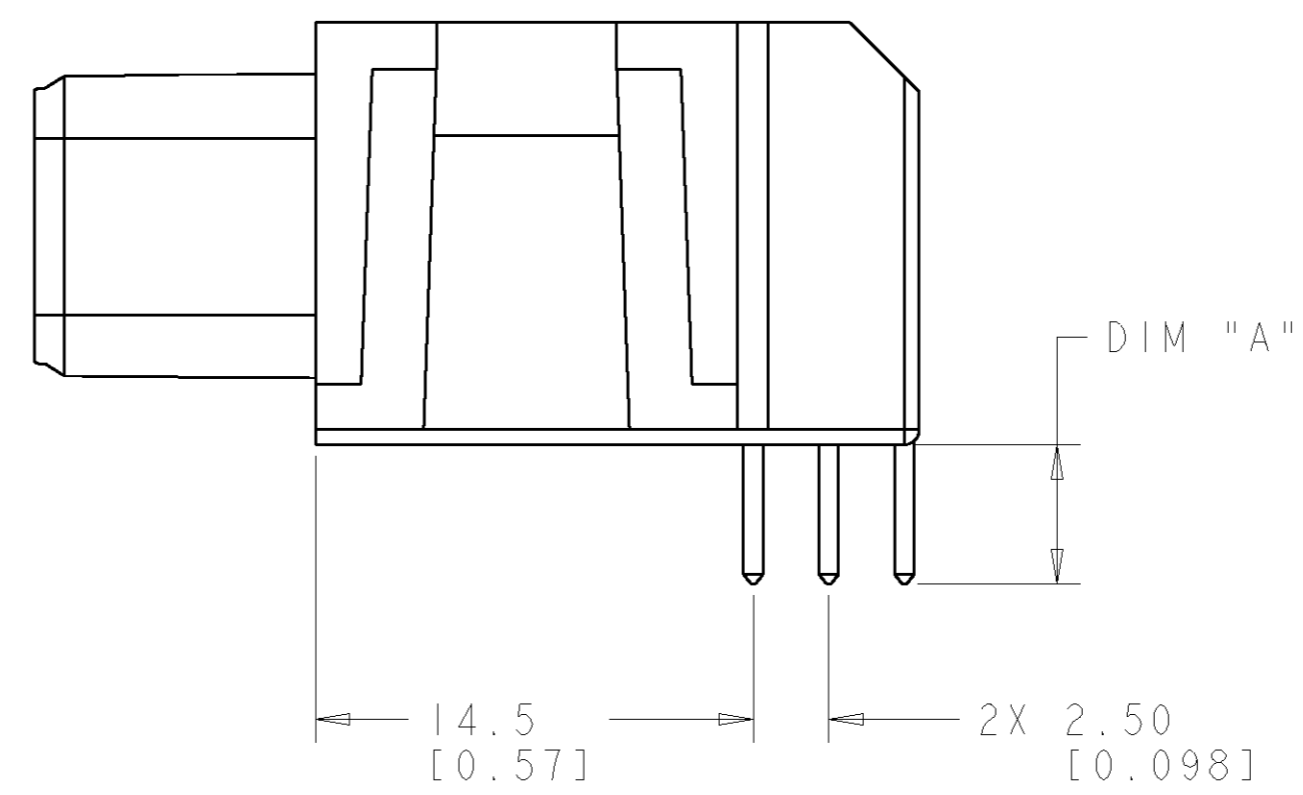
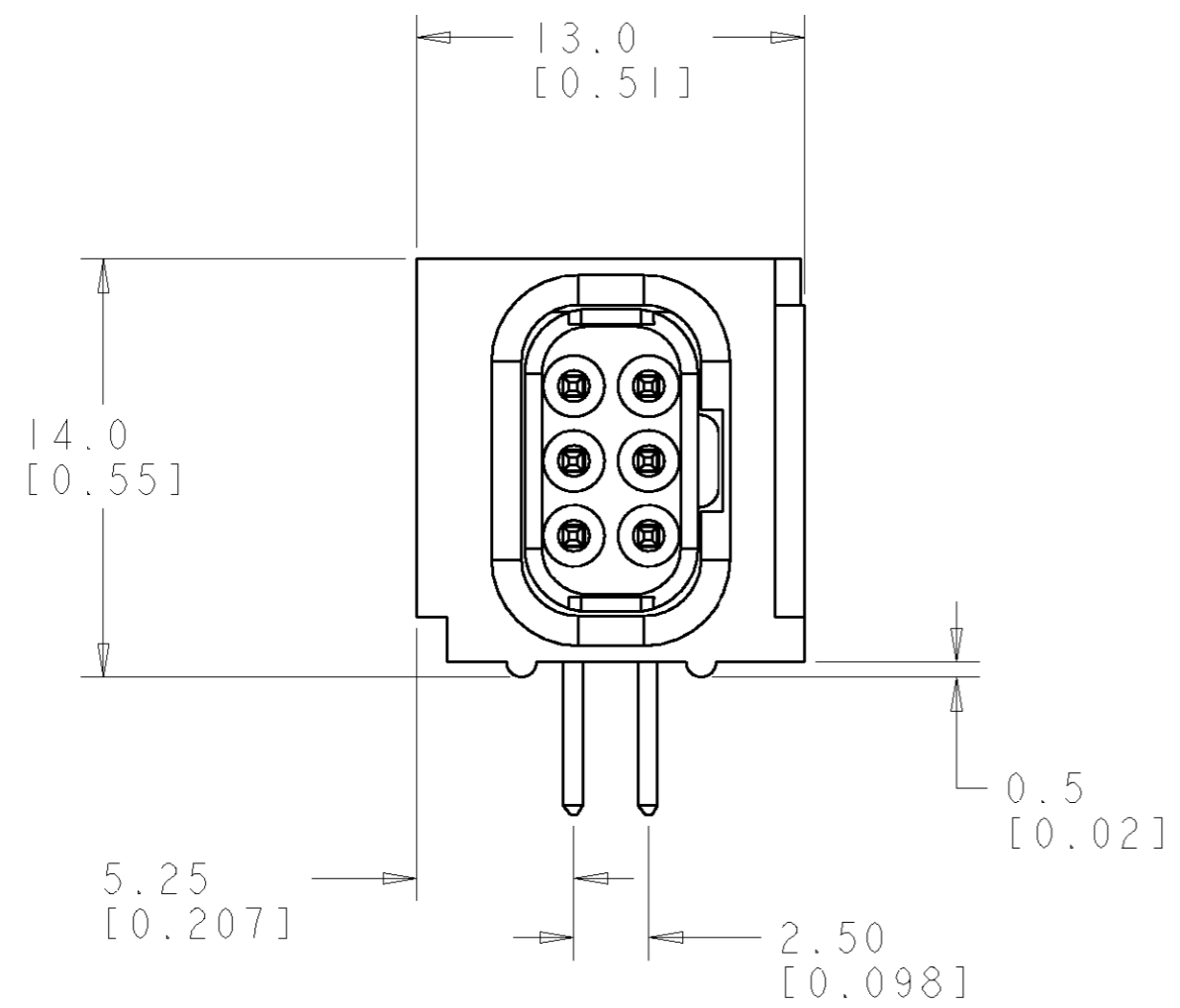


- PART NUMBER CHANGES AND OR DESIGN CHANGES AFFECTING ITEM INTERCHANGEABILITY REQUIRE PRIOR TYCO APPROVAL AND AUTHORIZATION BY REVISION TO THIS DRAWING.
- MATERIAL:
 INSULATORS - THERMOPLASTIC, GLASS REINFORCED, COLOR: BLACK
 UL94V-0 FLAMMABILITY RATED.
 SIGNAL CONTACTS - BRASS ALLOY,
- FINISH:
 CONTACTS - GOLD PLATE 0.76 MICROMETERS MIN. THK., OVER NICKEL
 1.27 MICROMETERS MIN. THK
 SOLDER TAILS, TIN 3.05 MICROMETERS MIN. THK. OVER NICKEL
 1.27 MICROMETERS MIN. THK
- ITEMS PROVIDED TO THIS SPECIFICATION TO BE PERMANENTLY IDENTIFIED ON THE CONTAINER PER THE FOLLOWING IDENTIFIER LABEL

YEAR WEEK

TYCO PART NO.
 XXXXXXXX-X

DATE CODE (e.g. 0106)
 XXXX



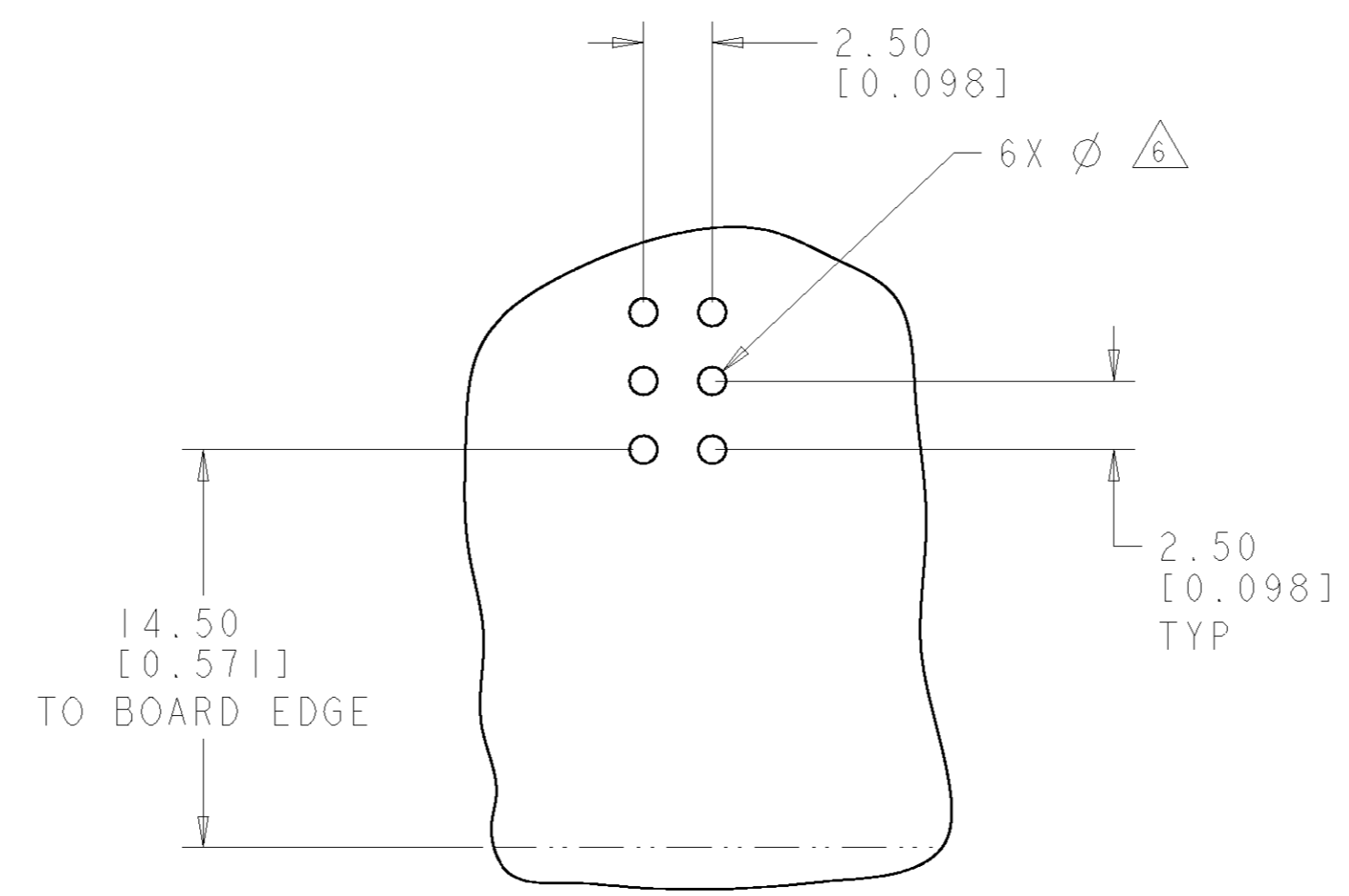
3.56-2.54 [.140-.100]	1926330-2
5.08-4.06 [.200-.160]	1926330-1
DIM "A"	PART NUMBER

DIMENSIONS:		TOLERANCES UNLESS OTHERWISE SPECIFIED:		APPROVALS		TYCO ELECTRONICS	
mm [INCHES]		0 PLC	±	DWN	16FEB07	Tyco Electronics Harrisburg, PA 17105-3608	
		1 PLC	±.3	CHK	16FEB07	NAME: SOCKET CONNECTOR, RIGHT ANGLE SOLDER, FP315 FLATPAQ	
		2 PLC	±.15	APVD	16FEB07	SIZE	CAGE CODE
		3 PLC	±	PRODUCT SPEC		A2	00779
		4 PLC	±	APPLICATION SPEC		DRAWING NO	1926330
		ANGLES	±.5	WEIGHT		RESTRICTED TO	-
		FINISH		CUSTOMER DRAWING		SCALE	4:1
						SHEET	1 OF 3
						REV	A

ELCON FLATPAQ

THIS DRAWING IS UNPUBLISHED. RELEASED FOR PUBLICATION 20
 © COPYRIGHT 20 BY TYCO ELECTRONICS CORPORATION. ALL RIGHTS RESERVED.

LOC	DIST	REVISIONS					
		P	LTR	DESCRIPTION	DATE	DWN	APVD
GP	00	-		SEE SHEET 1	-	-	-



PRINTED CIRCUIT BOARD LAYOUT
 COMPONENT SIDE

CONNECTOR	CATALOG MODULE #	QTY	SIZE NO.	CONTACT QTY	MATING PIN	MAX. CURRENT (PER CONTACT)	CONTACT SPACING	VOLTAGE RATING
SOCKET	FP315	1	22	6	.64 [.025] SQ.	3 amps	2.50 [.0984]	125

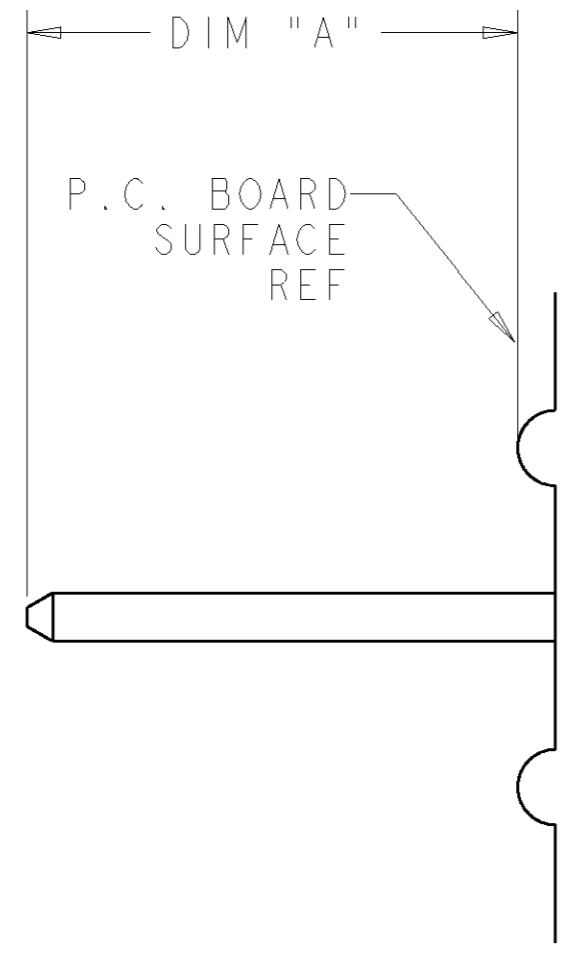
THIS DRAWING IS A CONTROLLED DOCUMENT FOR TYCO ELECTRONICS CORPORATION. IT IS SUBJECT TO CHANGE AND THE CONTROLLING ENGINEERING ORGANIZATION SHOULD BE CONTACTED FOR THE LATEST REVISION.

DWN R. GRZYBOWSKI 16FEB07	 Tyco Electronics Harrisburg, PA 17105-3608		
CHK P. DAMATO 16FEB07			
APVD S. FLICKINGER 16FEB07			
NAME SOCKET CONNECTOR, RIGHT ANGLE SOLDER, FP315 FLATPAQ			
DIMENSIONS: mm [INCHES]	TOLERANCES UNLESS OTHERWISE SPECIFIED:		
0 PLC ±.3	1 PLC ±.15		
2 PLC ±.15	3 PLC ±.15		
3 PLC ±.15	4 PLC ±.15		
4 PLC ±.15	ANGLES ±.5		
MATERIAL	FINISH		
DWN R. GRZYBOWSKI 16FEB07 CHK P. DAMATO 16FEB07 APVD S. FLICKINGER 16FEB07 PRODUCT SPEC - APPLICATION SPEC - WEIGHT - CUSTOMER DRAWING			
SIZE A200779	CAGE CODE C-1926330	DRAWING NO.	RESTRICTED TO
SCALE 4:1	SHEET 2 OF 3	REV A	

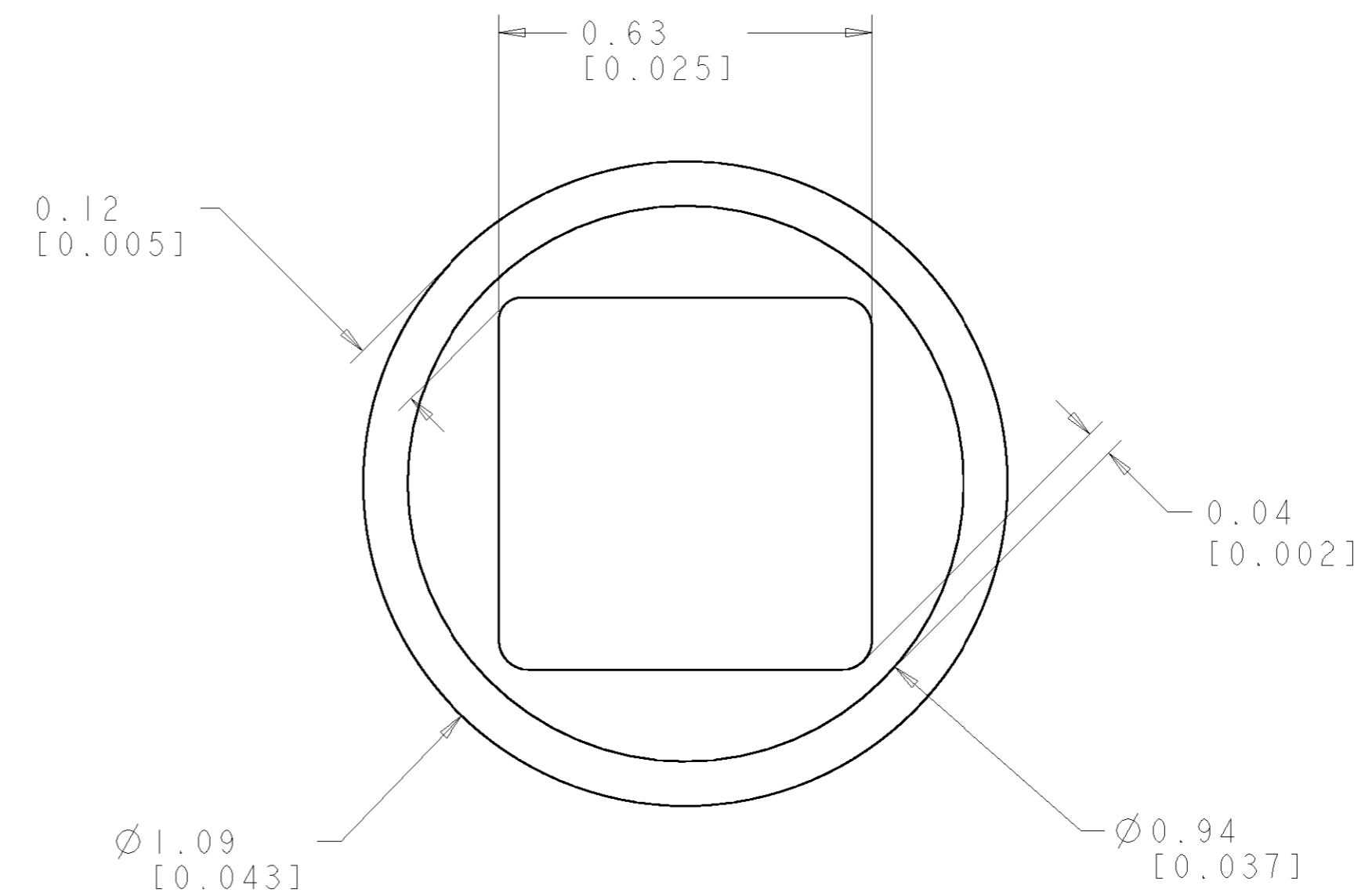
ELCON FLATPAQ

THIS DRAWING IS UNPUBLISHED. RELEASED FOR PUBLICATION 20
 © COPYRIGHT 20 BY TYCO ELECTRONICS CORPORATION. ALL RIGHTS RESERVED.

LOC	DIST	REVISIONS					
GP	00	P	LTR	DESCRIPTION	DATE	DWN	APVD
		-		SEE SHEET 1	-	-	-



5. SOLDER PIN DETAIL
SCALE 10:1



6. SOLDER TERMINATION AREA
SCALE 40:1
 RECOMMENDED PRINTED CIRCUIT SOLDER HOLE
 FINISHED HOLE: $\phi 1.02 [0.040] \pm .08 [0.003]$
 DRILLED HOLE: $\phi 1.15 [0.0453] \pm .013 [0.0005]$
 COPPER PLATE: .025 [0.0010] MIN
 TIN PLATE: .008 [0.0003] MIN. (PER SURFACE)

ELCON **FLATPAQ**

THIS DRAWING IS A CONTROLLED DOCUMENT FOR TYCO ELECTRONICS CORPORATION IT IS SUBJECT TO CHANGE AND THE CONTROLLING ENGINEERING ORGANIZATION SHOULD BE CONTACTED FOR THE LATEST REVISION.		DWN R. GRZYBOWSKI 16FEB07	tyco Tyco Electronics Harrisburg, PA 17105-3608	
DIMENSIONS: mm [INCHES]		CHK P. DAMATO 16FEB07	NAME SOCKET CONNECTOR, RIGHT ANGLE SOLDER, FP315 FLATPAQ	
TOLERANCES UNLESS OTHERWISE SPECIFIED: 0 PLC $\pm .3$ 1 PLC $\pm .3$ 2 PLC $\pm .15$ 3 PLC $\pm .15$ 4 PLC $\pm .15$ ANGLES ± 5 FINISH		APVD S. FLICKINGER 16FEB07	SIZE A200779	DRAWING NO G-1926330
MATERIAL		PRODUCT SPEC -	RESTRICTED TO -	
		APPLICATION SPEC -	SCALE 4:1	SHEET 3 OF 3
		WEIGHT -	REV A	
		CUSTOMER DRAWING		

单击下面可查看定价，库存，交付和生命周期等信息

[>>TE Connectivity\(泰科\)](#)