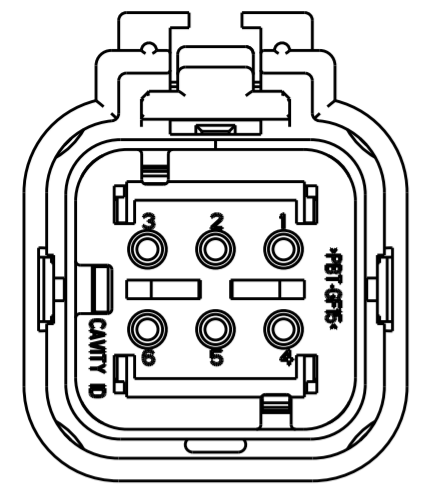
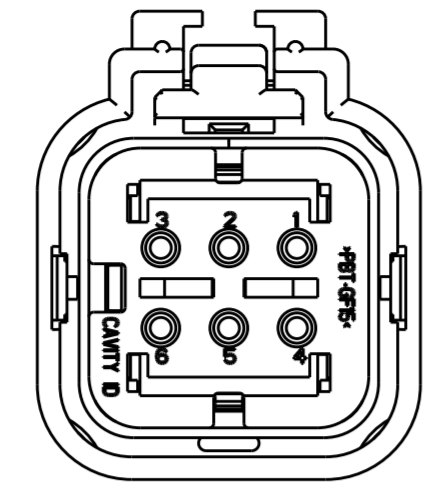


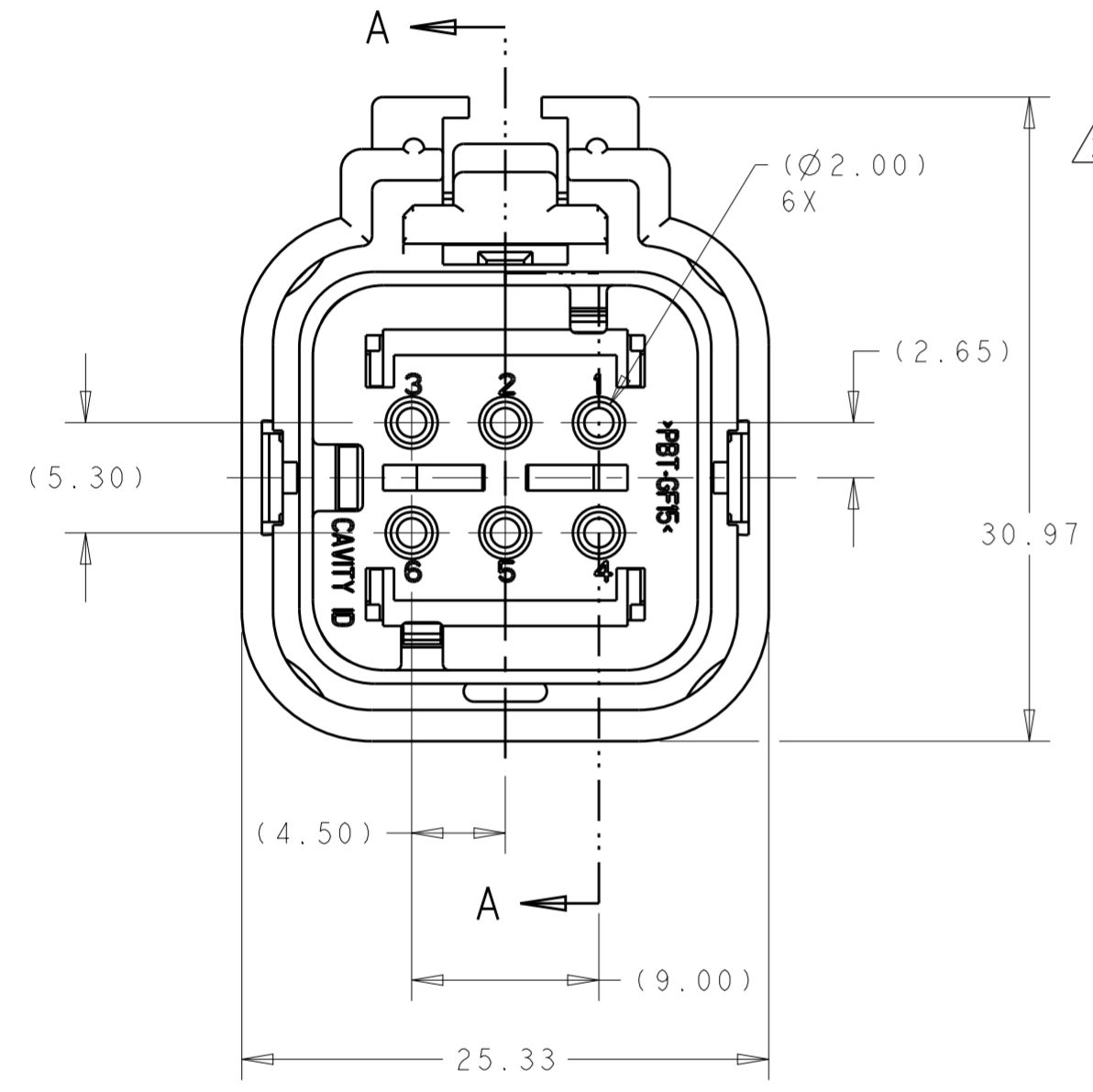
REVISIONS					
P	LTR	DESCRIPTION	DATE	DWN	APVD
A		RELEASED PER ECO-10-009942	28MAY2010	DD	RB
B		REVISED PER ECO-13-019865	27DEC2013	DR	RB



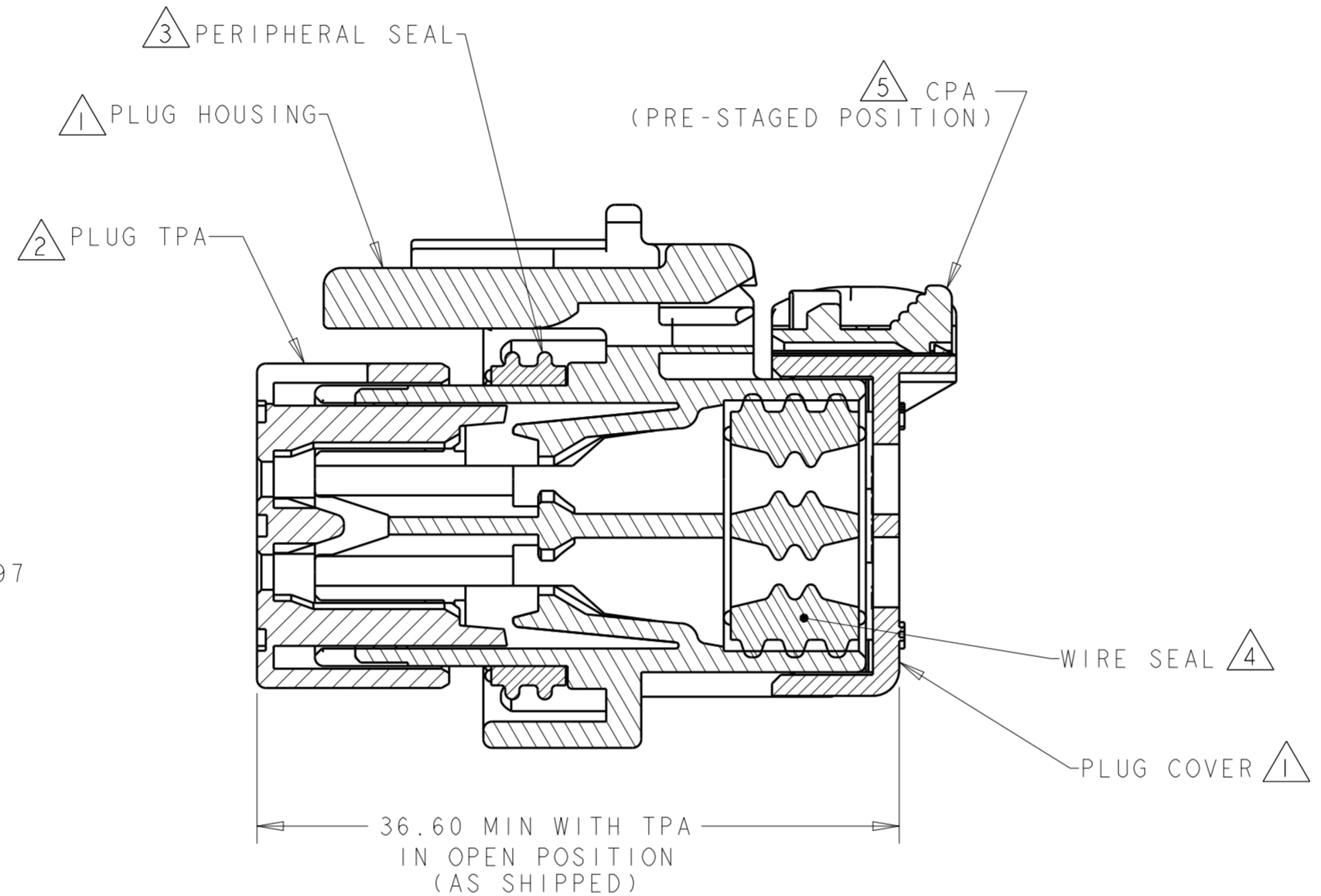
2098237-2
PURPLE TPA
KEY B
SCALE: 2:1



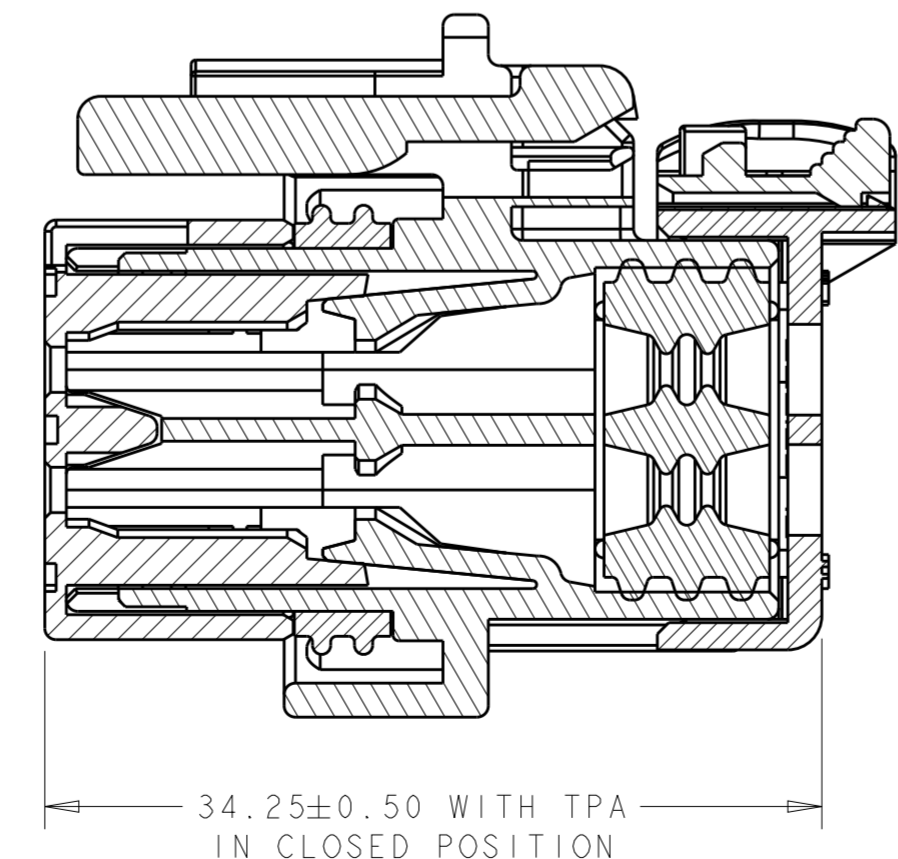
2098237-3
BLUE TPA
KEY C
SCALE: 2:1



2098237-1 SHOWN
ORANGE TPA
KEY A

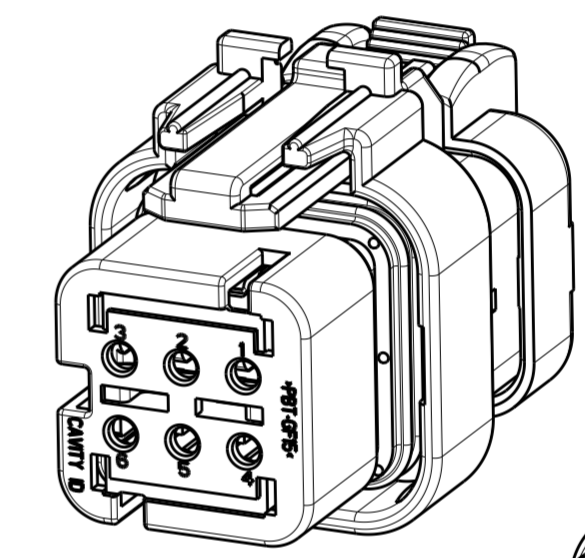


SECTION A-A

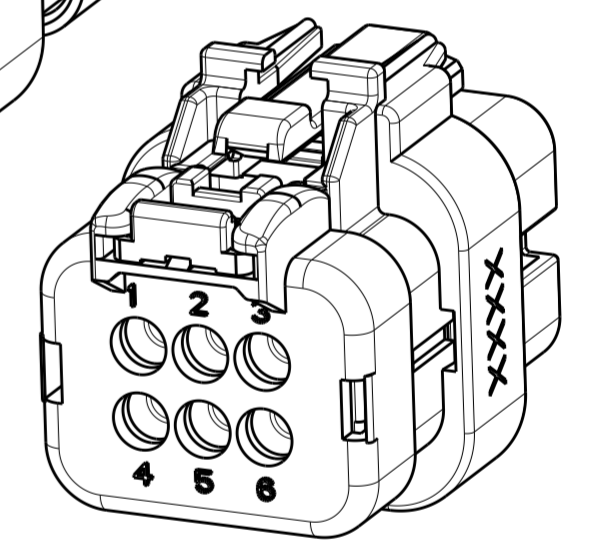


SECTION A-A

- 1 HOUSING AND COVER MATERIAL: 25% GLASS FILLED THERMOPLASTIC COLOR: NATURAL (BROWN)
- 2 TPA MATERIAL: 15% GLASS FILLED THERMOPLASTIC COLOR: (SEE TABLE)
- 3 PERIPHERAL SEAL MATERIAL: SILICONE COLOR: BLUE
- 4 WIRE SEAL MATERIAL: SILICONE COLOR: MARINE BLUE
- 5 CPA MATERIAL: 20% GLASS FILLED THERMOPLASTIC COLOR: ORANGE
- 6. RECOMMENDED WIRE DIAMETER RANGE IS 2.18 TO 3.67mm



SCALE 2:1



SCALE 2:1

C	BLUE	2098237-3
B	PURPLE	2098237-2
A	ORANGE	2098237-1
KEY	TPA COLOR	PART NUMBER

THIS DRAWING IS A CONTROLLED DOCUMENT.		DWN 29MAY2009 RUSTY WORTHINGTON	TE Connectivity	
DIMENSIONS: mm		CHK 29MAY2009 ROGER BALTER		
TOLERANCES UNLESS OTHERWISE SPECIFIED:		APVD 29MAY2009 ROGER BALTER	NAME PLUG ASSEMBLY, 6 POSITION, DUAL ROW, AMPSEAL 16, VO MATERIAL	
0 PLC ±	1 PLC ±0.5	PRODUCT SPEC 108-2184	SIZE	RESTRICTED TO
2 PLC ±0.30	3 PLC ±	APPLICATION SPEC 114-13065	CAGE CODE	
4 PLC ±	ANGLES ±	WEIGHT 14±1g	DRAWING NO A20779	
MATERIAL SEE NOTES	FINISH	CUSTOMER DRAWING	SCALE 3:1	SHEET OF
			DRAWING NO C-2098237	REV B

单击下面可查看定价，库存，交付和生命周期等信息

[>>TE Connectivity\(泰科\)](#)