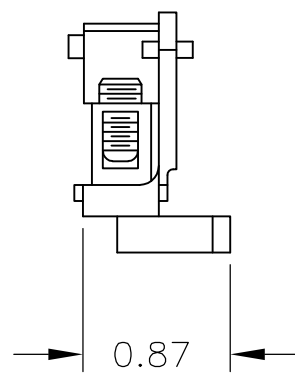
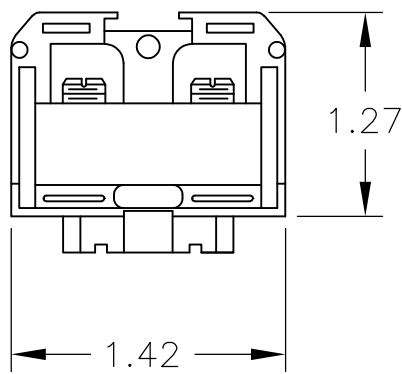


LOC	DIST	REVISIONS					
—	—	P	LTR	DESCRIPTION	DATE	DWN	APVD
			A	REDRAWN PER ECO-08-023052	29SEP08	HMR	SM

△ 1 MATERIAL: NYLON



THIS DRAWING IS UNPUBLISHED.  
 RELEASED FOR PUBLICATION  
 ALL INTERNATIONAL RIGHTS RESERVED.  
 BY TYCO ELECTRONICS CORPORATION.  
 © COPYRIGHT

DIMENSIONS: INCHES	DWN	RAGHAVENDRA	29SEP08	MATERIAL	△ 1	FINISH	—				
	CHK	MACE SAM	29SEP08	Tyco Electronics Corporation Harrisburg, PA 17105-3608							
TOLERANCES UNLESS OTHERWISE SPECIFIED:	APVD	MACE SAM	29SEP08								
0 PLC ± -	PRODUCT SPEC			NAME							
1 PLC ± -	—			HEAVY DUTY, T.C NYLON							
2 PLC ± -	APPLICATION SPEC			F.B. TERMINAL BLOCK ASS'Y							
3 PLC ± -	—			SIZE	CAGE CODE	DRAWING NO	RESTRICTED TO				
4 PLC ± -	—			A4	00779	④ 4-1437390-1	—				
ANGLES ± -	WEIGHT			—							
				CUSTOMER DRAWING		SCALE	1:1	SHEET	1 OF 1	REV	A

单击下面可查看定价，库存，交付和生命周期等信息

[>>TE Connectivity\(泰科\)](#)