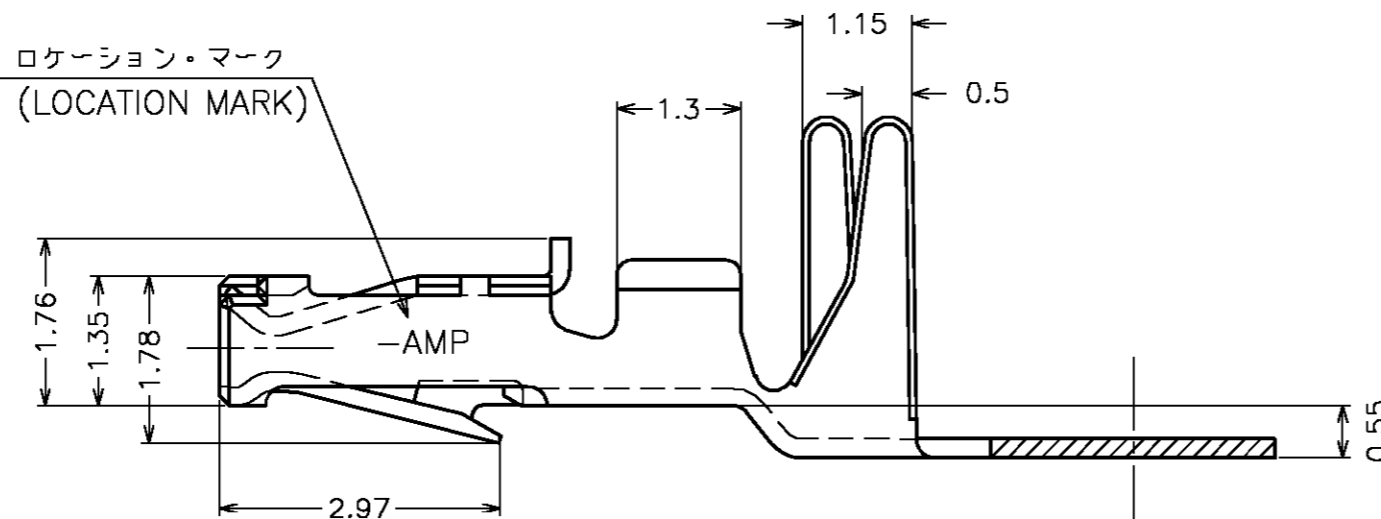
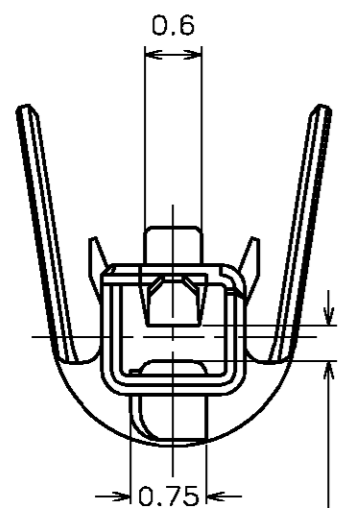
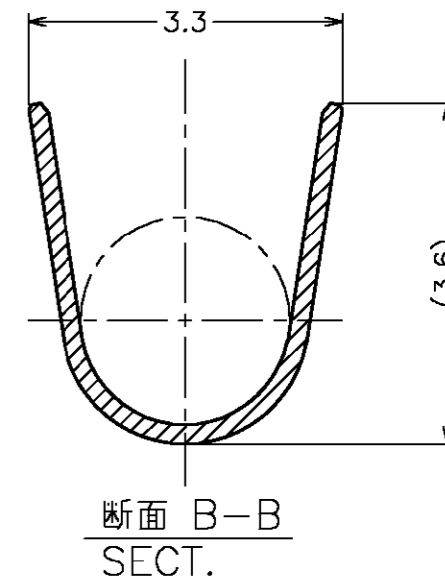
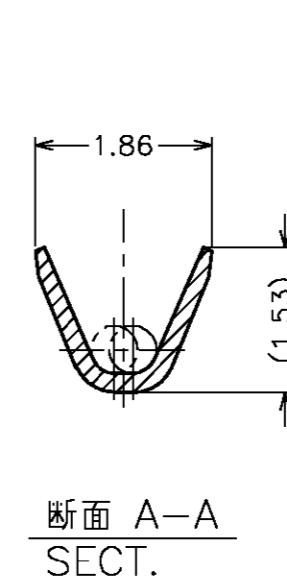
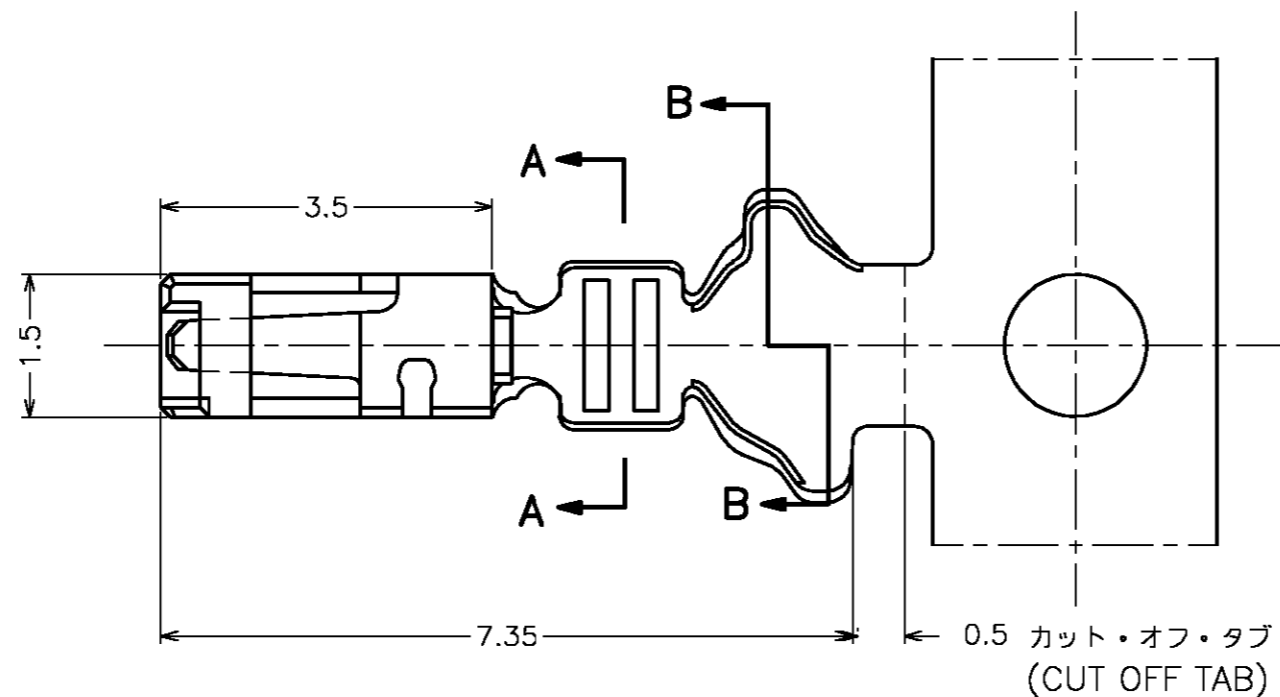


THIS DRAWING IS UNPUBLISHED. RELEASED FOR PUBLICATION AUG 29 .  
 © COPYRIGHT 2000 BY TYCO ELECTRONICS CORPORATION. ALL RIGHTS RESERVED.

LOC	DIST	REVISIONS						
		P	LTR	DESCRIPTION	DATE	DWN	APVD	
J		O		作成 (RELEASED)	FJ00-0200-01	29.AUG.'00	M.S	Y.K



0.5t ポストに嵌合  
(MATING FOR 0.5t POST)

1376175-1			
型番 (P/N)			
WIRE RANGE 包含電線断面積	AWG#26~#22 0.14~0.38 SQmm	INSULATION DIA 被覆外径	1.5~2.3 mm

THIS DRAWING IS A CONTROLLED DOCUMENT.		DWN	M.SUZUKI	29.AUG.'00
DIMENSIONS: 単位: 耗 MM		CHK	Y.KASHIWA	29.AUG.'00
TOLERANCES UNLESS OTHERWISE SPECIFIED: 一般公差		APVD	Y.KASHIWA	29.AUG.'00
0 PLQ	± 0.2	PRODUCT SPEC	108-5706	
1 PLC	±	APPLICATION SPEC	114-5294	
2 PLC	±	WEIGHT		
3 PLC	±	NAME 名称		
4 PLG	±	BACK LIGHT CONN.REC.CONT. L-TYPE		
ANGLES	± 3°	バックライト・コネクタ		
MATERIAL 材料 鍍めつき済み燐青銅 (PRE-TIN PHOS BRO)	FINISH 仕上	SIZE	A3	CAGE CODE 00779
CUSTOMER DRAWING		DRAWING NO 番号	1376175	
		RESTRICTED TO		
		SCALE 尺度	12:1	SHEET 1 OF 1
		REV	0	

单击下面可查看定价，库存，交付和生命周期等信息

[>>TE Connectivity\(泰科\)](#)