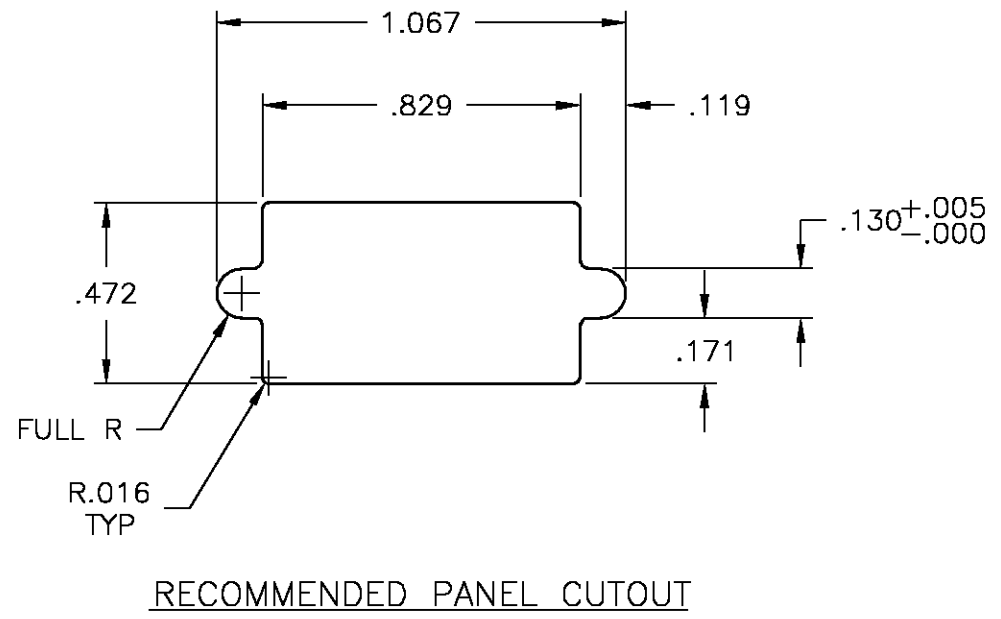
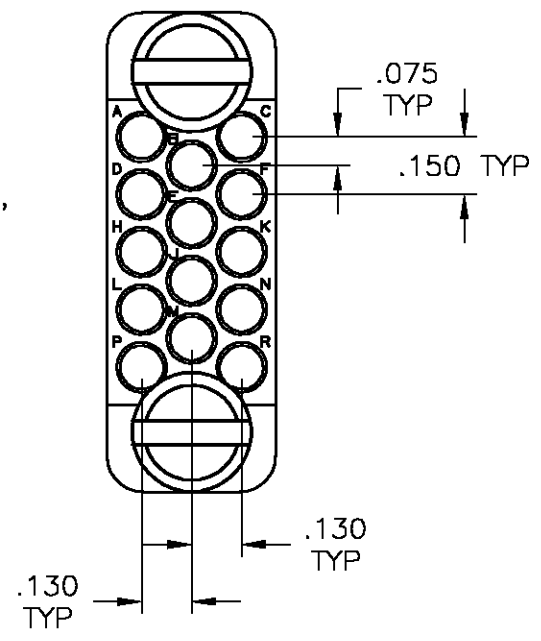
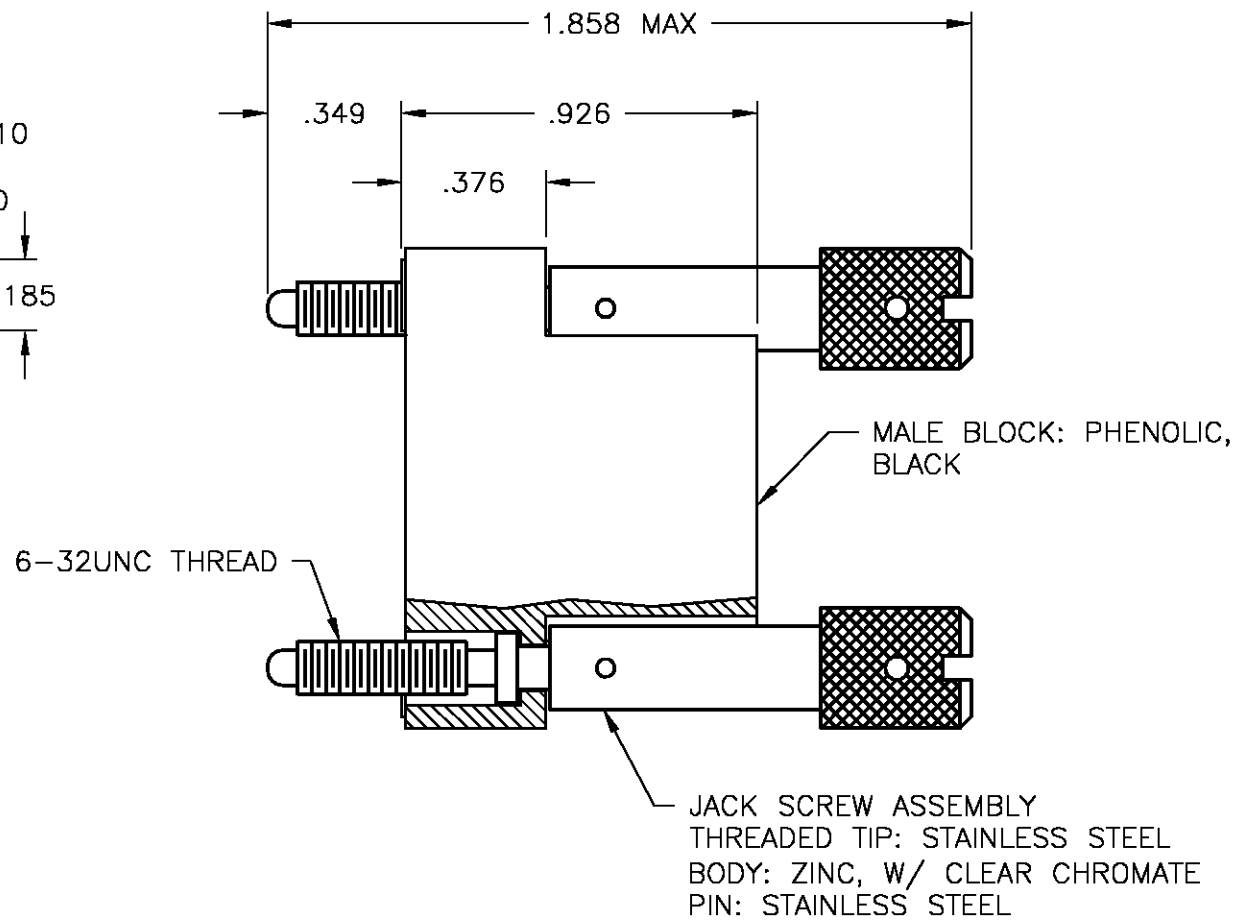
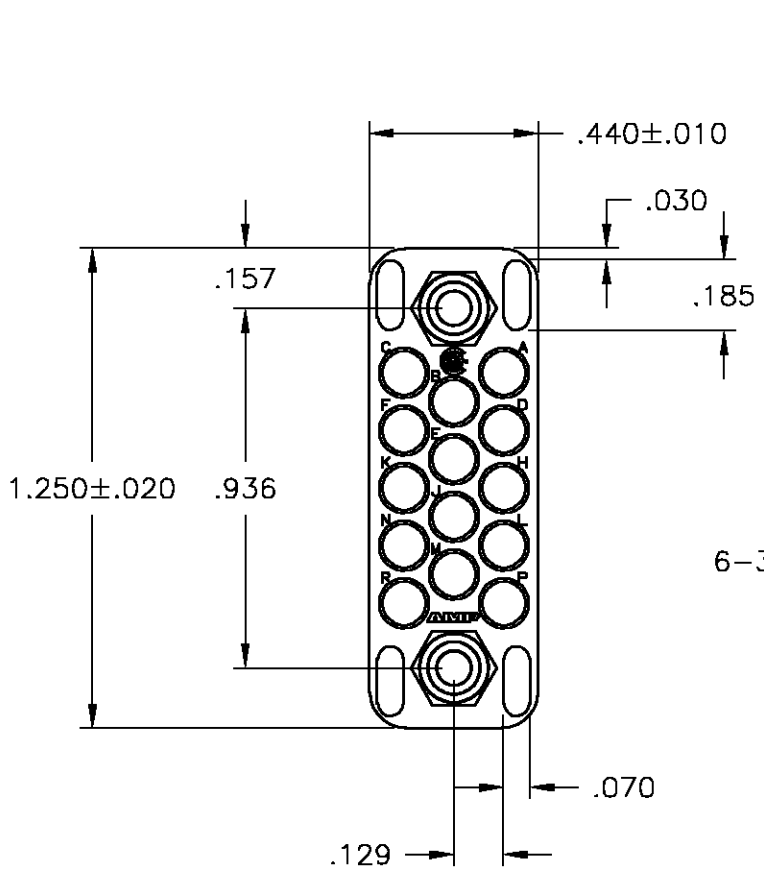


THIS DRAWING IS UNPUBLISHED. RELEASED FOR PUBLICATION
 © COPYRIGHT BY TYCO ELECTRONICS CORPORATION. ALL RIGHTS RESERVED.

LOC	DIST	REVISIONS					
FT	0	P	LTR	DESCRIPTION	DATE	DWN	APVD
			A	REVISED PER 0G3B-0599-04	7/8/04	SS	GS

NOTES:

- MATES WITH BLOCK 201298 AND ACCOMODATES TYPE II, TYPE III+ OR TYPE VI #16 PIN OR SOCKET CONTACTS.



1776087-1
PART NO.

THIS DRAWING IS A CONTROLLED DOCUMENT.		DWN S SCHLEGEL 18MAY04	Tyco Electronics Corporation Harrisburg, Pa 17105-3608	
DIMENSIONS: INCHES		CHK G STEINHAUER 5/18/04		
TOLERANCES UNLESS OTHERWISE SPECIFIED:		APVD G STEINHAUER 5/18/04	NAME BLOCK MALE, 14 POS. W/ JACK SCREWS M SERIES	
0 PLC ± -		PRODUCT SPEC -	APPLICATION SPEC -	
1 PLC ± -		WEIGHT -	SIZE A3	CAGE CODE 00779
2 PLC ± -		CUSTOMER DRAWING	DRAWING NO C-1776087	RESTRICTED TO -
3 PLC ± -			SCALE 2:1	SHEET 1 OF 1
4 PLC ± -				
ANGLES ± -				
FINISH -				
MATERIAL -				

单击下面可查看定价，库存，交付和生命周期等信息

[>>TE Connectivity\(泰科\)](#)