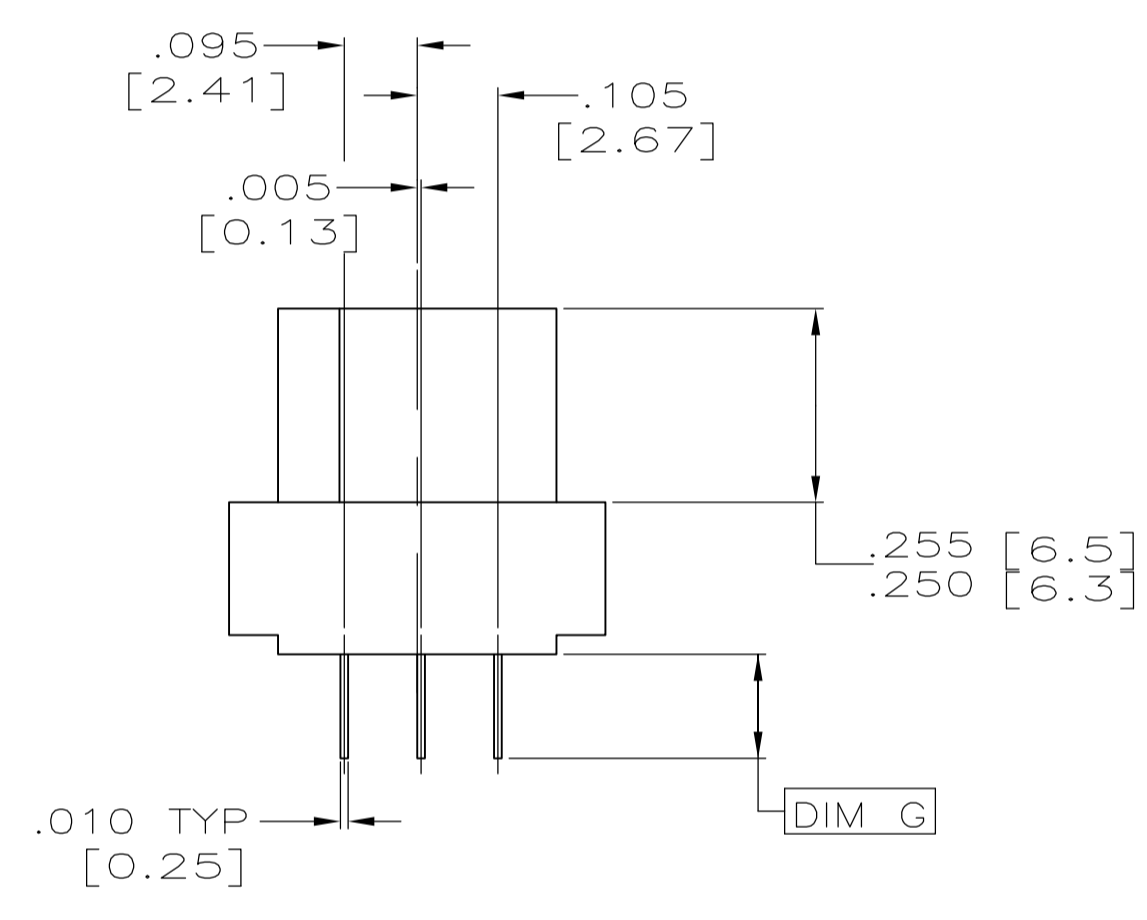
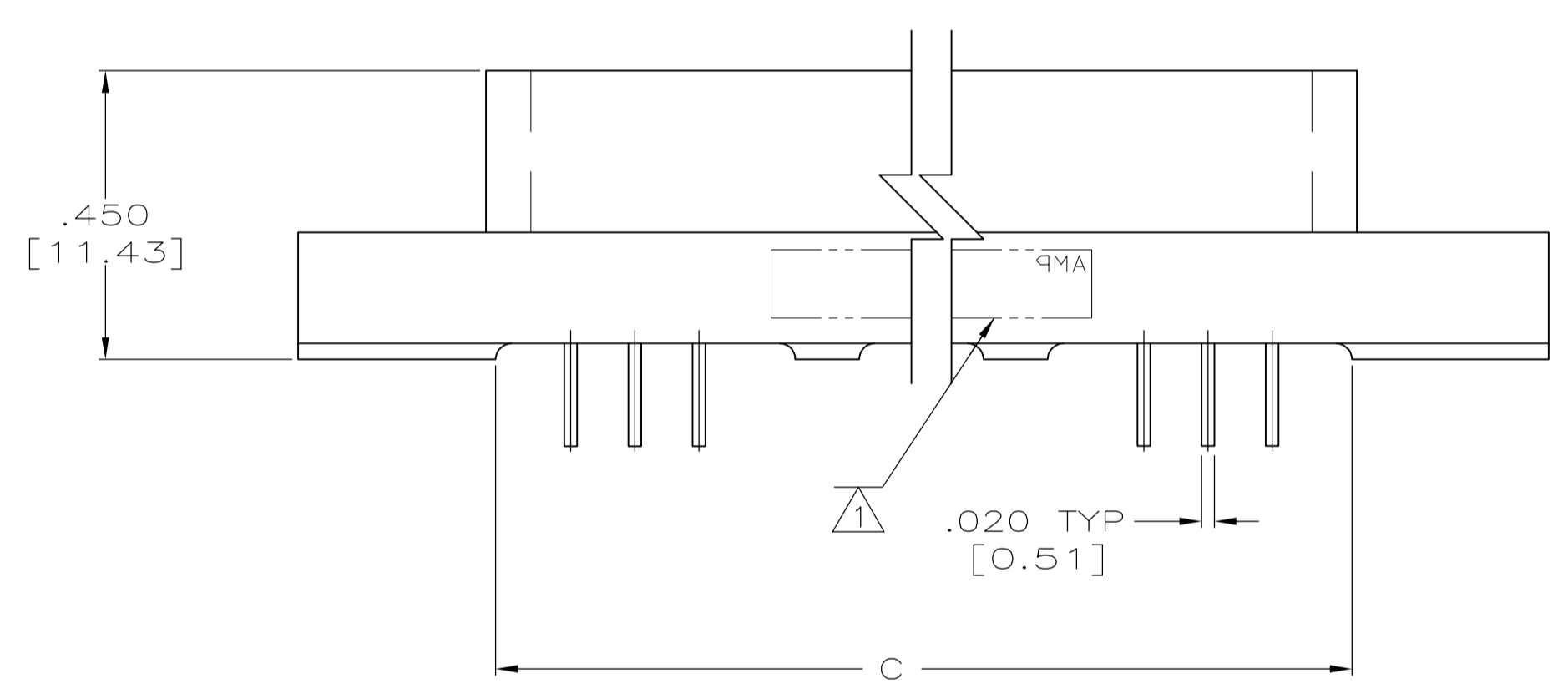
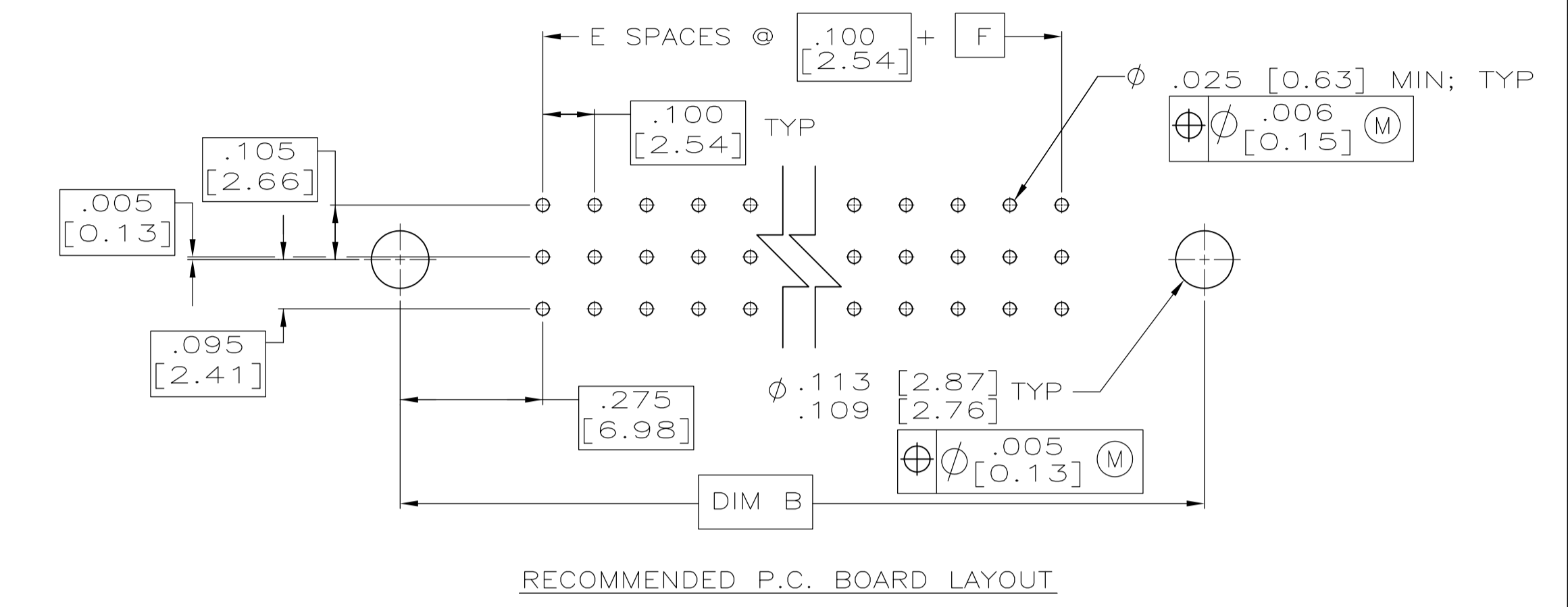
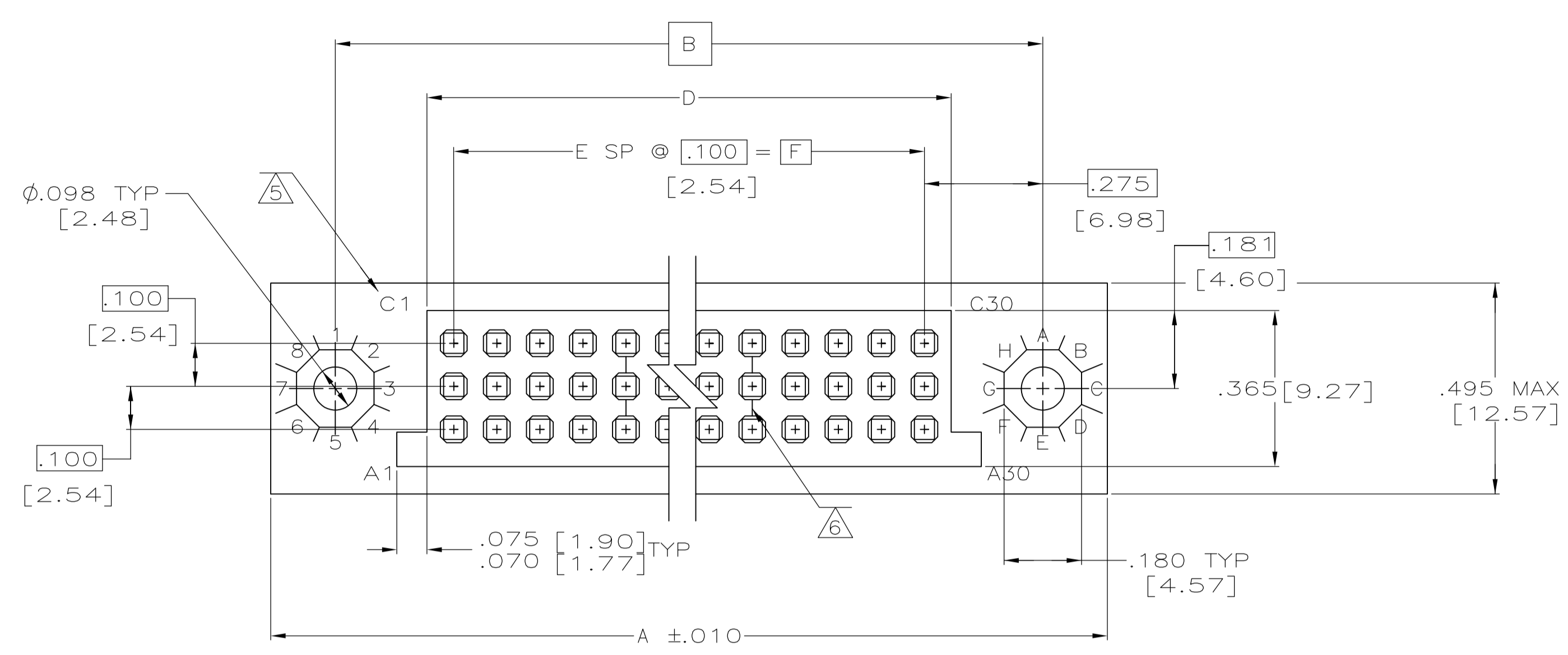


LOC		DIST		REVISIONS			
F	LTR	DESCRIPTION	DATE	DWN	APVD		
F	REV PER ECO	15-004480	28APR15	KG	RL		



- ① CUSTOMER PART NO. (IF APPLICABLE), AMP, DATE CODE AND PART NO MARKED OPPOSITE SIDE.
- ② HOUSING MAT'L: POLYPHENYLENE SULFIDE, GST-40F PER MIL-M-24519. COLOR: BROWN.
- ③ CONTACT MAT'L: BERYLLIUM COPPER PER ASTM B194 OR COPPER-NICKEL-SILICON PER UNS-C70260.
- ④ CONTACT FINISH: .000030 [0.00076] MIN GOLD IN CONTACT AREA, OVER .000030 [0.00076] NICKEL ON ENTIRE CONTACT, TIN-LEAD ON CONTACT TAIL.
- ⑤ LETTERS INDICATING OUTSIDE ROWS AND NUMBERS INDICATING END CAVITIES MARKED THIS SURFACE.
- ⑥ LINES INDICATING EVERY FIVE CAVITIES MARKED ON MATING FACE EXCEPT END CAVITIES STARTING FROM POSN. #1.

(820127-4)	.180±.015 [4.57±.015]	6.900 [175.26]	69	7.024 [178.41]	7.125 [180.97]	7.450 [189.23]	7.750 [196.85]	210	443857-4
(820127-3)	.180±.015 [4.57±.015]	5.900 [149.86]	59	6.024 [153.01]	6.125 [155.57]	6.450 [163.83]	6.750 [171.45]	180	443857-3
(820127-2)	.135±.015 [3.43±0.38]	6.900 [175.26]	69	7.024 [178.41]	7.125 [180.97]	7.450 [189.23]	7.750 [196.85]	210	443857-2
(820127-1)	.135±.015 [3.43±0.38]	5.900 [149.86]	59	6.024 [153.01]	6.125 [155.57]	6.450 [163.83]	6.750 [171.45]	180	443857-1
CUSTOMER PART NO.	G	F	E	D	C	B	A	POSN.	PART NO.

THIS DRAWING IS A CONTROLLED DOCUMENT.

DIMENSIONS: INCHES	TOLERANCES UNLESS OTHERWISE SPECIFIED:	DIN J.A. Baker 09-09-96	APVD D. MILLER 09-09-96	NAME
0 PLC ± -	1 PLC ± -	2 PLC ± -	3 PLC ± .010 [0.25]	4 PLC ± -
ANGLES ± -	FINISH	SIZE A1	CAGE CODE 00779	DRAWING NO. 443857
MATERIAL	FINISH	WEIGHT	CUSTOMER DRAWING	RESTRICTED TO

STE TE Connectivity

BOX RECEPTACLE ASS'Y, .100 C/L, 3-ROW, .010 X .020 POST .005 OFFSET

SCALE 4:1 SHEET 1 OF 1 REV F

单击下面可查看定价，库存，交付和生命周期等信息

[>>TE Connectivity\(泰科\)](#)