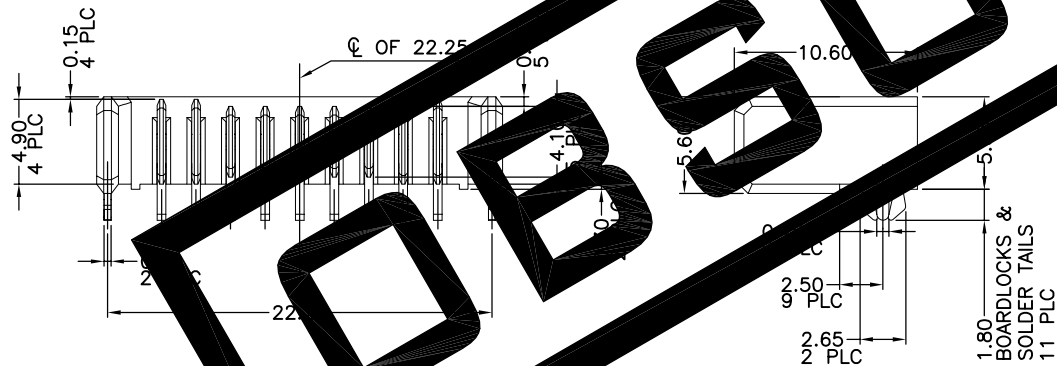
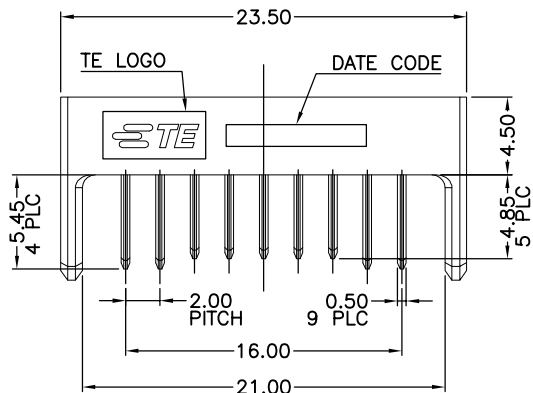
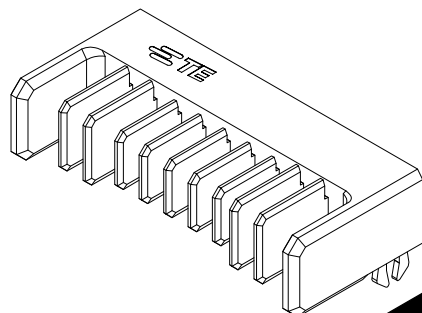
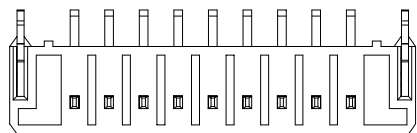


THIS DRAWING IS UNPUBLISHED. RELEASED FOR PUBLICATION
 © COPYRIGHT - TE Connectivity ALL RIGHTS RESERVED.

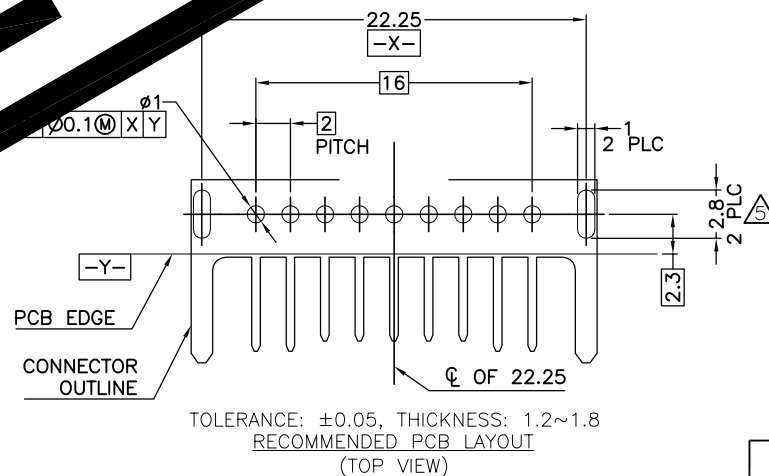
REVISIONS				
P	LTR	DESCRIPTION	DATE	DWN APVD
B		OBSOLETE	04DEC2017	AL WH



NOTES:

- MATERIAL:
HOUSING: LCP WITH 30% GF, UL94V-0, BLACK COLOR.
CONTACTS: BRASS.
BOARDLOCKS: BRASS.
- FINISH:
CONTACTS: GOLD PLATE OVER 1.27μm [50μ"] MIN. NICKEL ON ENTIRE CONTACT.
BOARDLOCKS: 1.27μm [50μ"] MIN. NICKEL OVER 1.27μm [50μ"] MIN. NICKEL PLATED.
- REFLOW SOLDER CAPABLE TO 260°C IN TEC-100-201, METHOD B, CONDITION B.
DISTANCE RESTRICTIONS FOR LOW HANG (BY WEIGHT):
 - BROMINE (Br) ≤ 900 PPM (0.09%)
 - CHLORINE (Cl) ≤ 900 PPM (0.09%)
 - TOTAL CONCENTRATION OF FLUORINE (F) + BROMINE (Br) ≤ 1500 PPM (0.15%)

NO FURROW FOR BOARDLOCK.



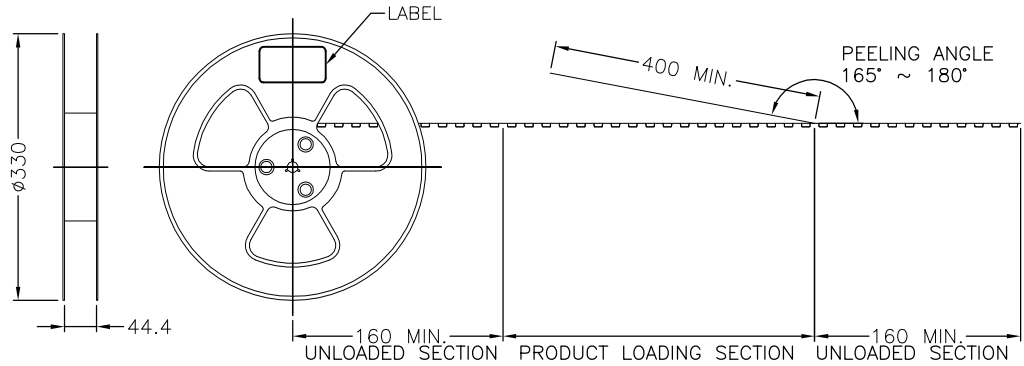
OBSOLETE

THIS DRAWING IS A CONTROLLED DOCUMENT.		DWN A.WU 27DEC2011	TE Connectivity	
		CHK S.CHEN 27DEC2011		
DIMENSIONS: mm		APVD W.KODAMA 27DEC2011	NAME	
TOLERANCES UNLESS OTHERWISE SPECIFIED:		PRODUCT SPEC		2 MM PITCH BATTERY CONNECTOR, 9 POSITION, OFFSET, 5.35 HEIGHT, PLUG
0 PLC ± - 1 PLC ± 0.3 2 PLC ± 0.2 3 PLC ± 0.15 4 PLC ± - ANGLES ± 3°		APPLICATION SPEC		
MATERIAL SEE NOTE		WEIGHT 2.07 g	SIZE A3	CAGE CODE 00779
		DRAWING NO. C=2041449		RESTRICTED TO
		CUSTOMER DRAWING		SCALE 1:1 SHEET 1 OF 2 REV B

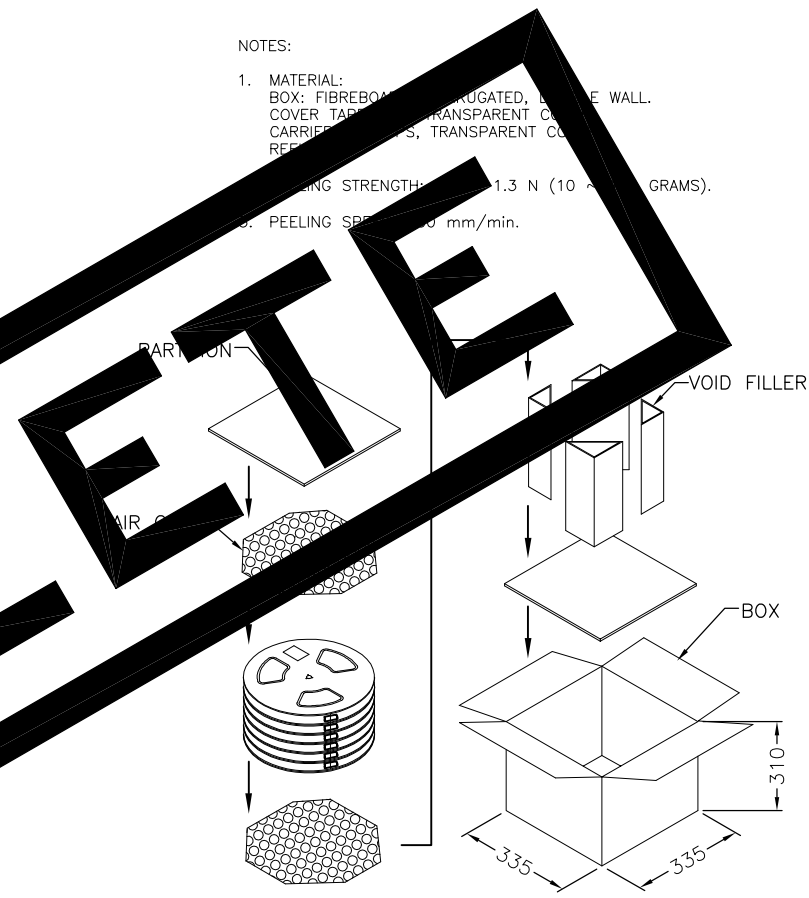
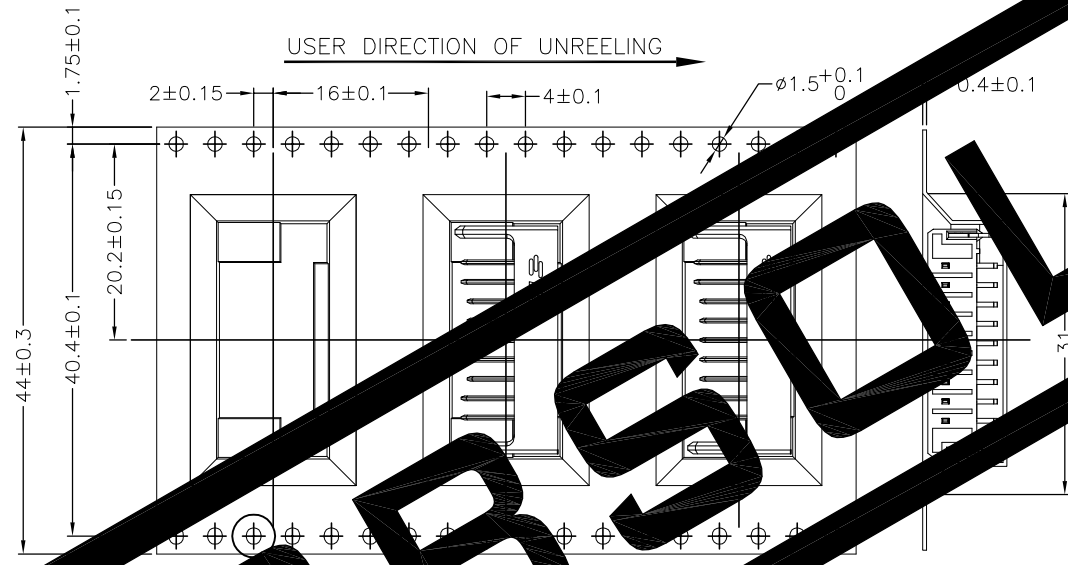
2041449-1
PART NUMBER

THIS DRAWING IS UNPUBLISHED. RELEASED FOR PUBLICATION
 © COPYRIGHT - TE Connectivity ALL RIGHTS RESERVED.

REVISIONS					
P	LTR	DESCRIPTION	DATE	DWN	APVD
-	-	SEE SHEET 1	-	-	-



- NOTES:
- MATERIAL:
 BOX: FIBREBOARD, CORRUGATED, 5mm WALL.
 COVER TAP: TRANSPARENT CO.
 CARRIER: POLYESTER, TRANSPARENT CO.
 REEL: POLYESTER, TRANSPARENT CO.
 - PEELING STRENGTH: 1.3 N (100 GRAMS).
 - PEELING SPEED: 100 mm/min.



1800	6	300	3.72 Kg	7.06 Kg
PCS/BOX	REELS/BOX	PCS/TAPE	NET WEIGHT	GROSS WEIGHT

THIS DRAWING IS A CONTROLLED DOCUMENT.

DWN A.WU 27DEC2011	TE Connectivity	
CHK S.CHEN 27DEC2011	TE Connectivity	
APVD W.KODAMA 27DEC2011	NAME	
PRODUCT SPEC 108-57848	2 MM PITCH BATTERY CONNECTOR, 9 POSITION, OFFSET, 5.35 HEIGHT, PLUG	
APPLICATION SPEC	SIZE A3	CAGE CODE 00779
MATERIAL SEE NOTE	WEIGHT 2.07 g	DRAWING NO C=2041449
TOLERANCES UNLESS OTHERWISE SPECIFIED: 0 PLC ± - 1 PLC ± 0.3 2 PLC ± 0.2 3 PLC ± 0.15 4 PLC ± - ANGLES ± 3'	RESTRICTED TO	
FINISH SEE NOTE	CUSTOMER DRAWING	SCALE 1:1 SHEET 2 OF 2 REV B

单击下面可查看定价，库存，交付和生命周期等信息

[>>TE Connectivity\(泰科\)](#)