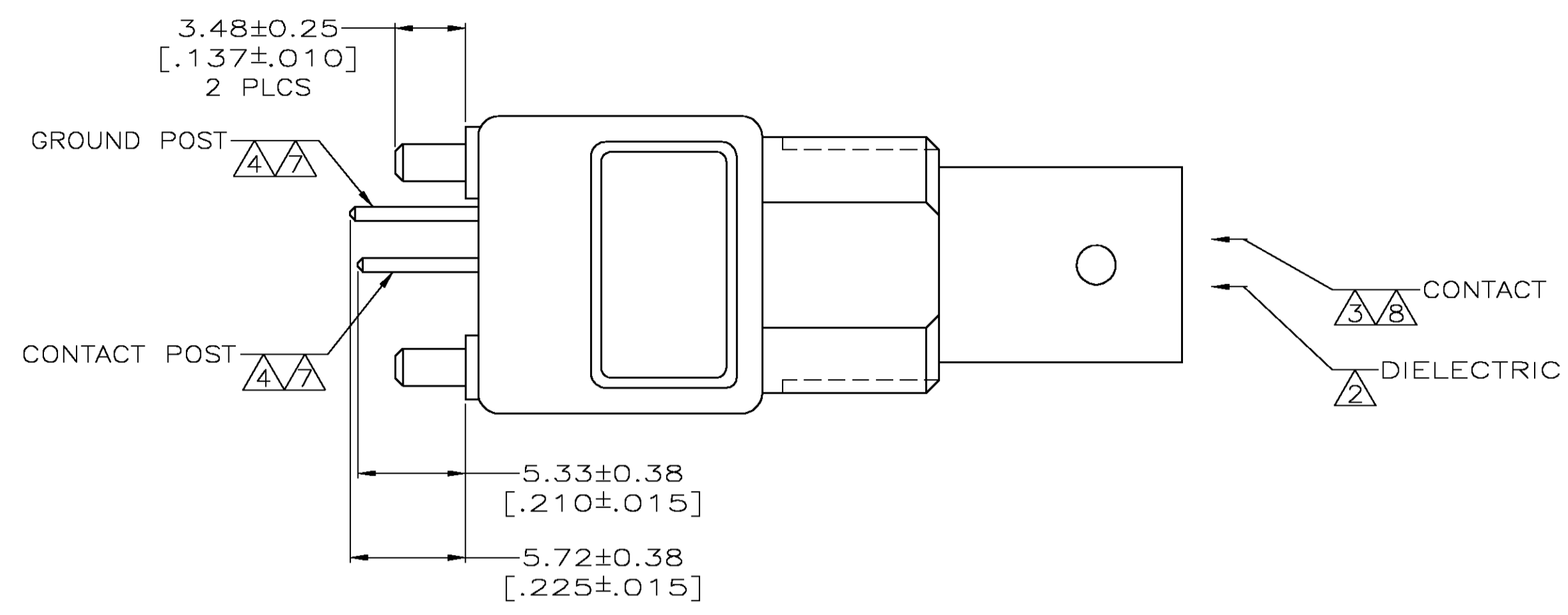
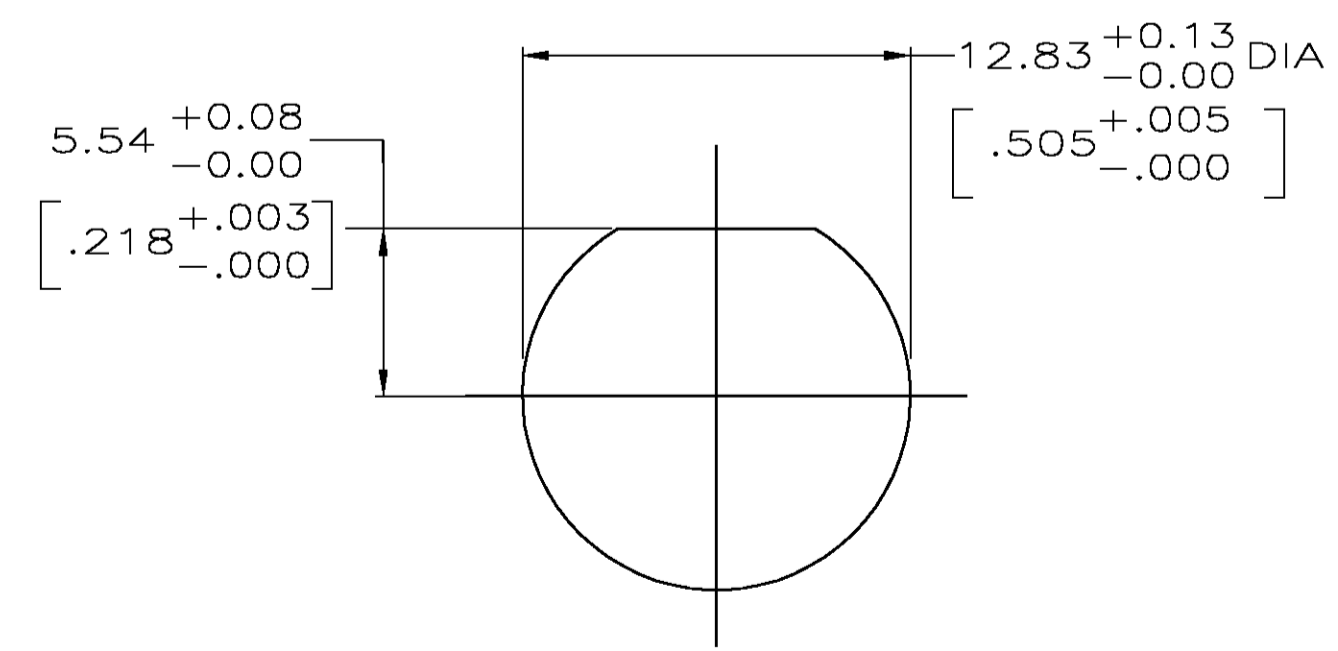
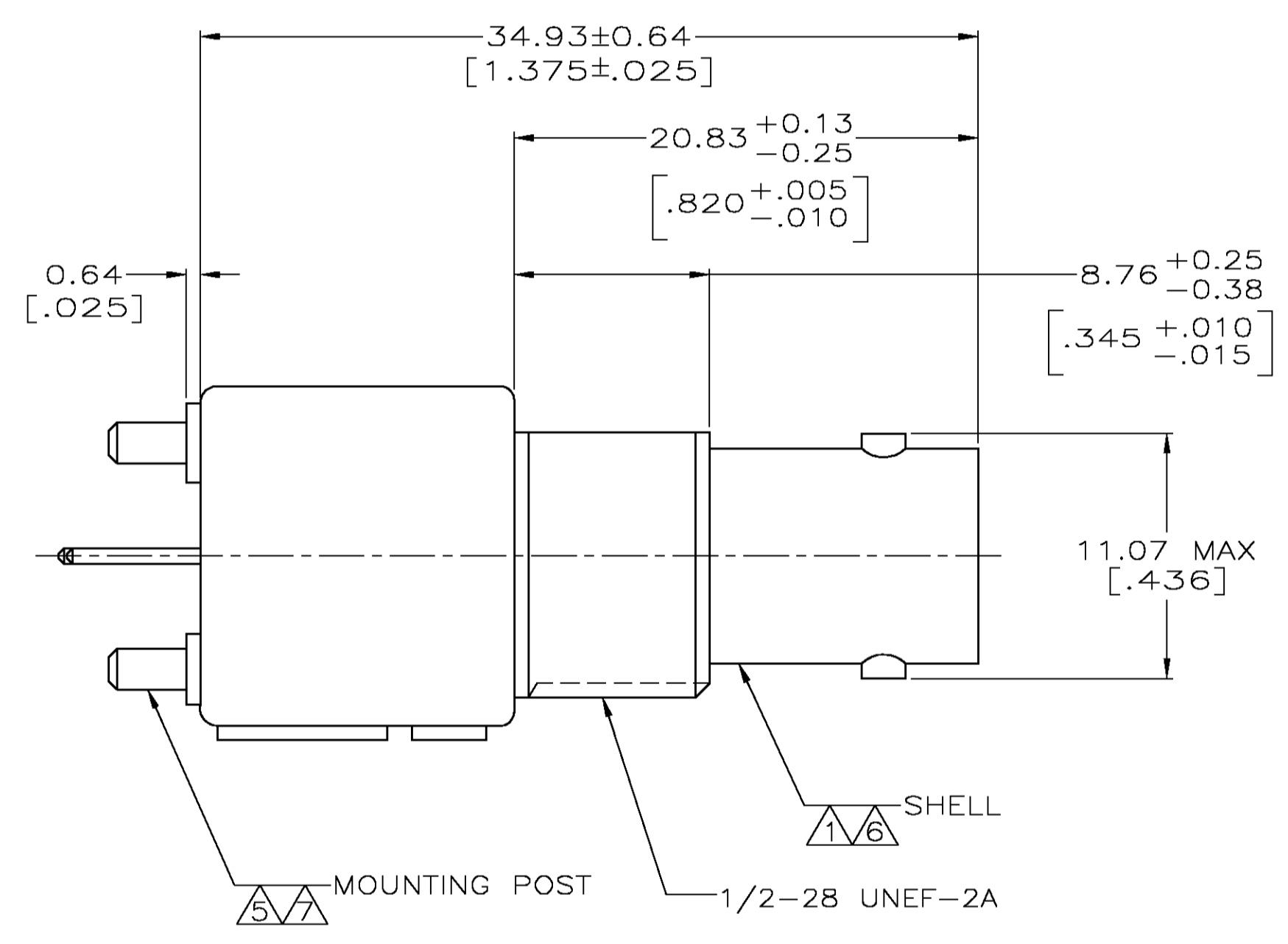
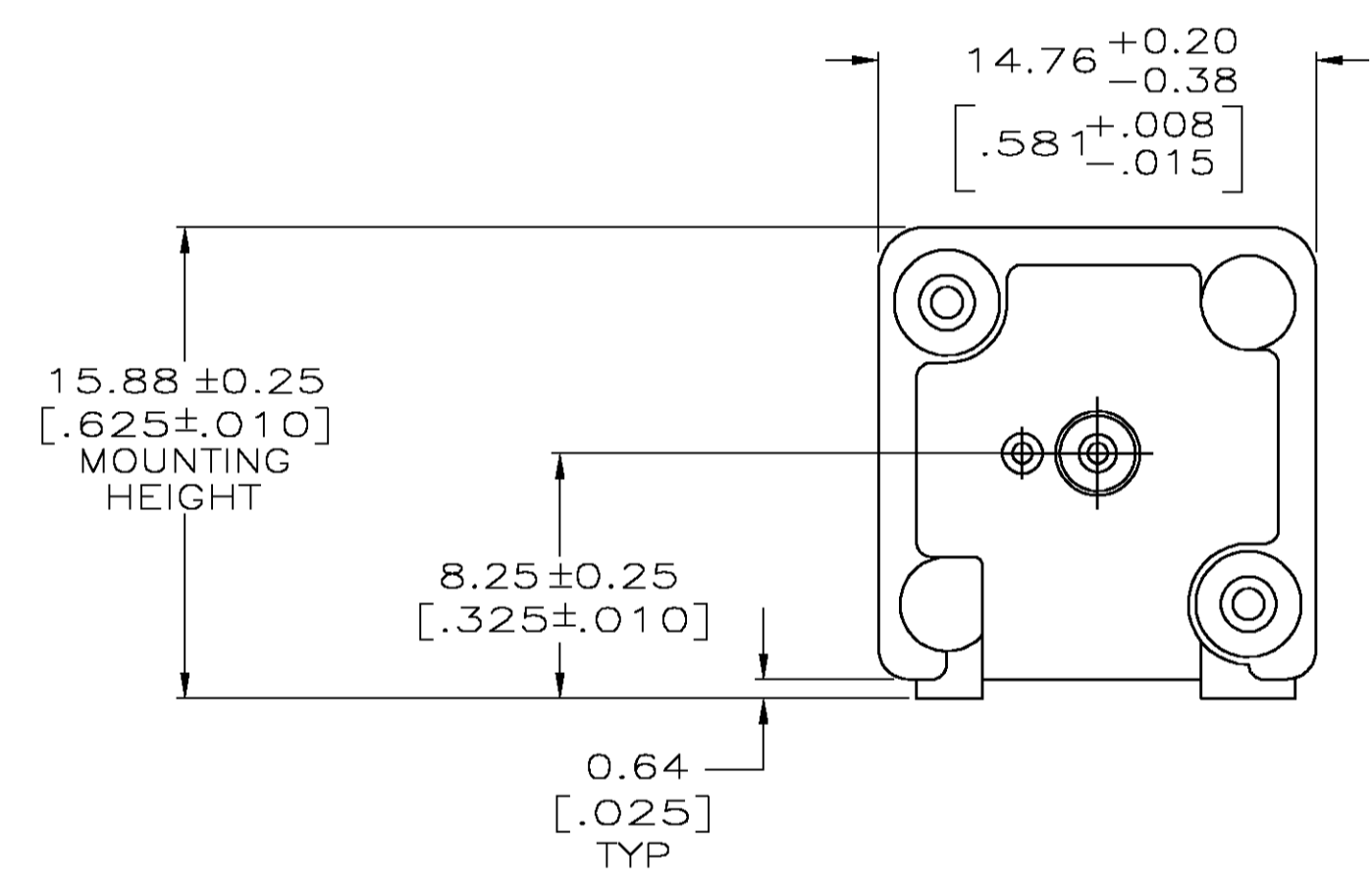


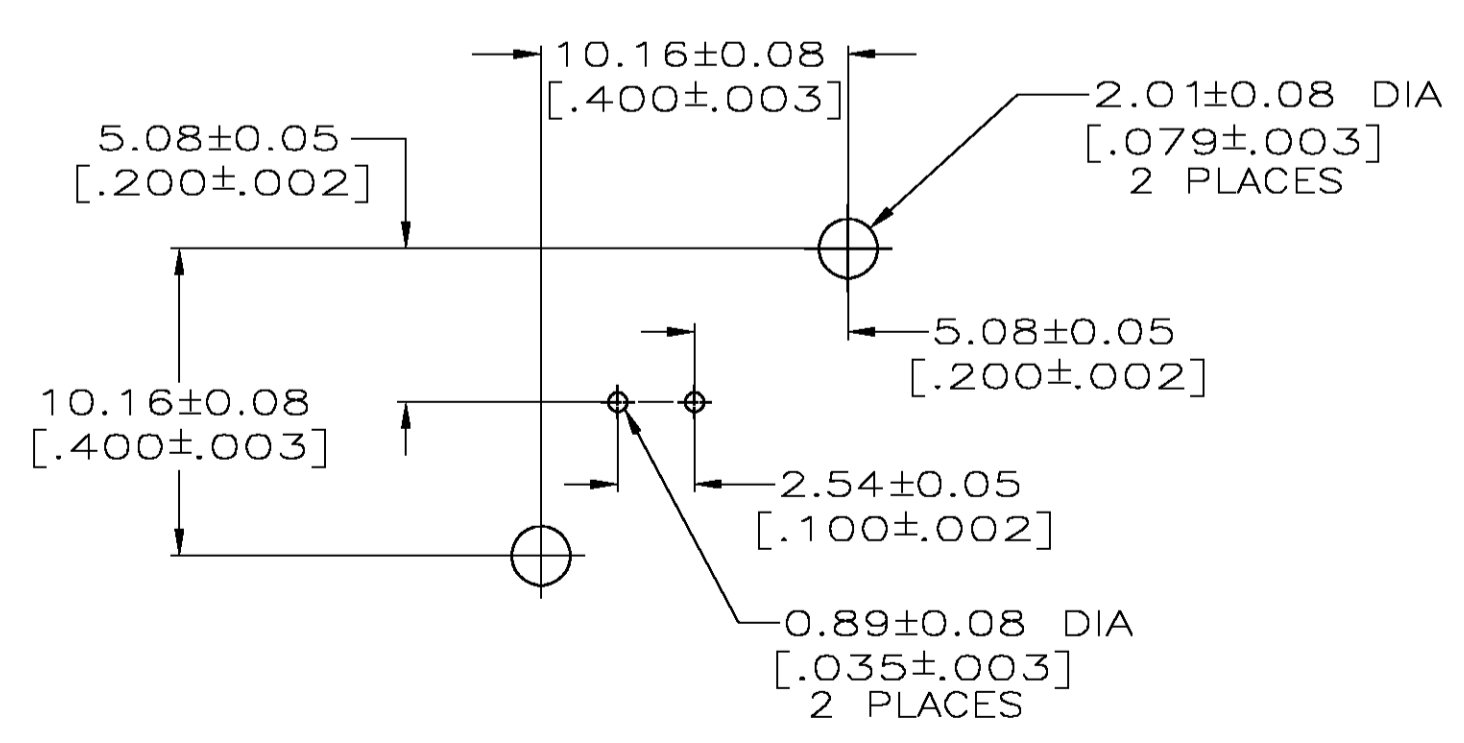
LOC		DIST		REVISIONS			
P	LR	DESCRIPTION	DATE	BY	APPD		
C		PER EC 0514-0184-04	01DEC2004	JGH	JL		



- ① ZINC PER QQ-Z-363.
- ② POLYMETHYLPENTENE, GENERAL PURPOSE.
- ③ BERYLLIUM COPPER PER QQ-C-530.
- ④ BRASS PER ASTM-B-453.
- ⑤ BRASS PER ASTM-B-16.
- ⑥ NICKEL PLATE PER QQ-N-290,
3.81 μm [.000150] MINIMUM THICK.
- ⑦ TIN PLATE PER ASTM-B-545,
3.81 μm [.000150] MINIMUM THICK.
- ⑧ GOLD PLATE PER MIL-G-45204,
0.76 μm [.000030] MINIMUM THICK.
- 9. SEE INSTRUCTION SHEET 2769.



RECOMMENDED PANEL CUTOUT



PCB CONFIGURATION

222132-1
PART NUMBER

THIS DRAWING IS A CONTROLLED DOCUMENT.		DIN J. LIPPERT 4-13-92	 Tyco Electronics Corporation Harrisburg, PA 17105-3608
DIMENSIONS: INCHES		CIK A. GABANY 4-14-92	
TOLERANCES UNLESS OTHERWISE SPECIFIED:		APVD A. GABANY 4-14-92	NAME
0 PLC ± -	1 PLC ± -	PRODUCT SPEC	JACK, VERTICAL, PCB
2 PLC ± 0.20 [.008]	3 PLC ± -	APPLICATION SPEC	75 OHM, SERIES BNC
4 PLC ± -	ANGLES ± -	SIZE	RESTRICTED TO
MATERIAL SEE NOTES 1-5	FINISH SEE NOTES 6-8	WEIGHT	
CUSTOMER DRAWING		SCALE 4:1	SHEET 1 OF 1
		DRAWING NO. A1 00779	REV C
		DRAWING NO. 222132	

单击下面可查看定价，库存，交付和生命周期等信息

[>>TE Connectivity\(泰科\)](#)