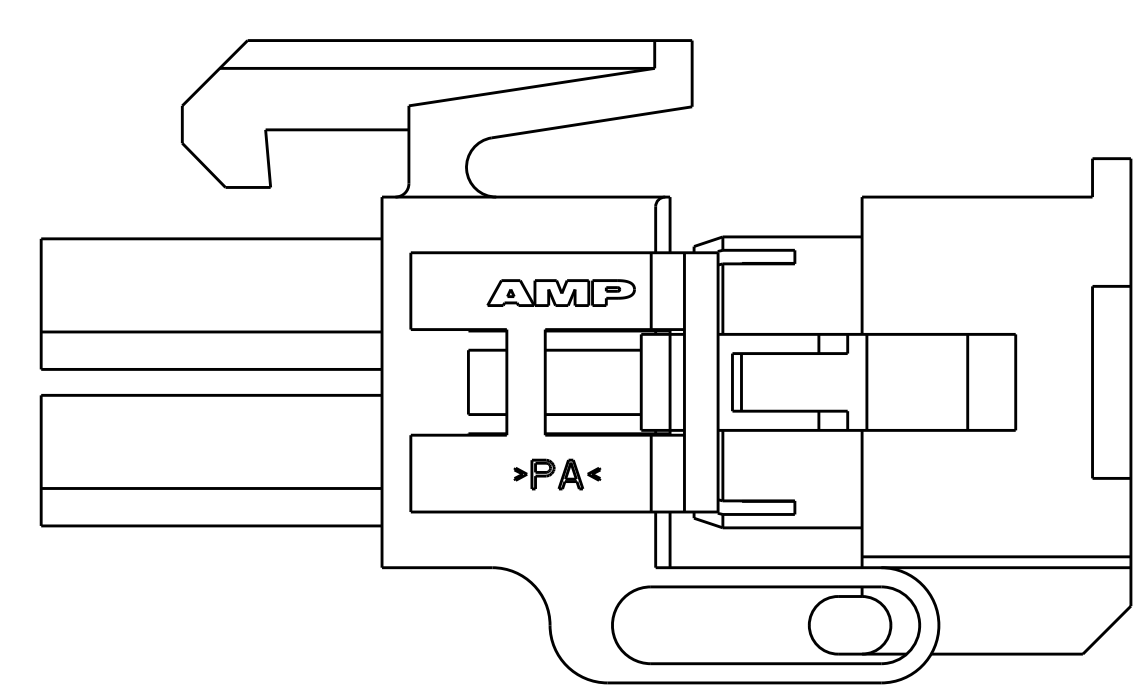
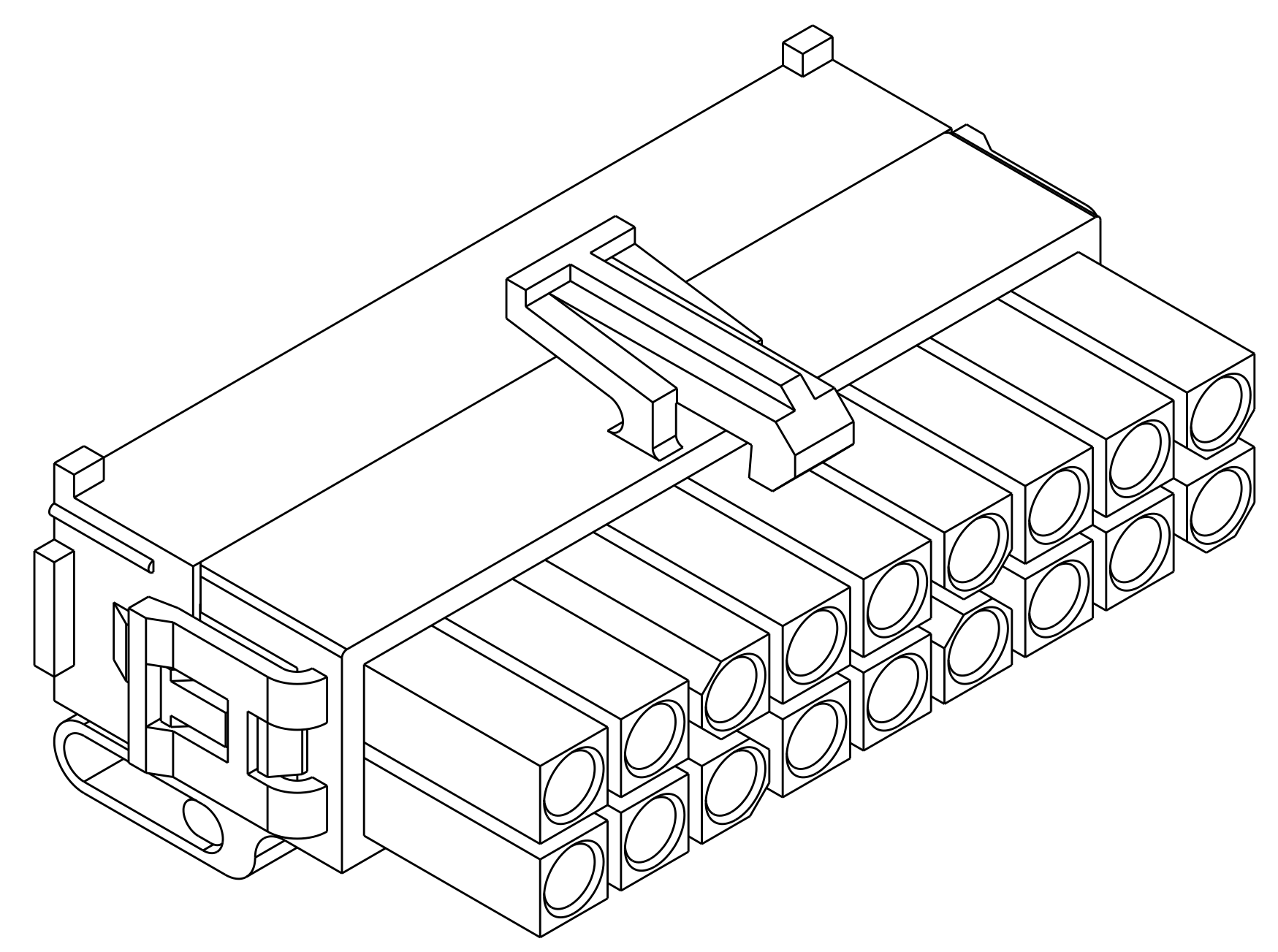
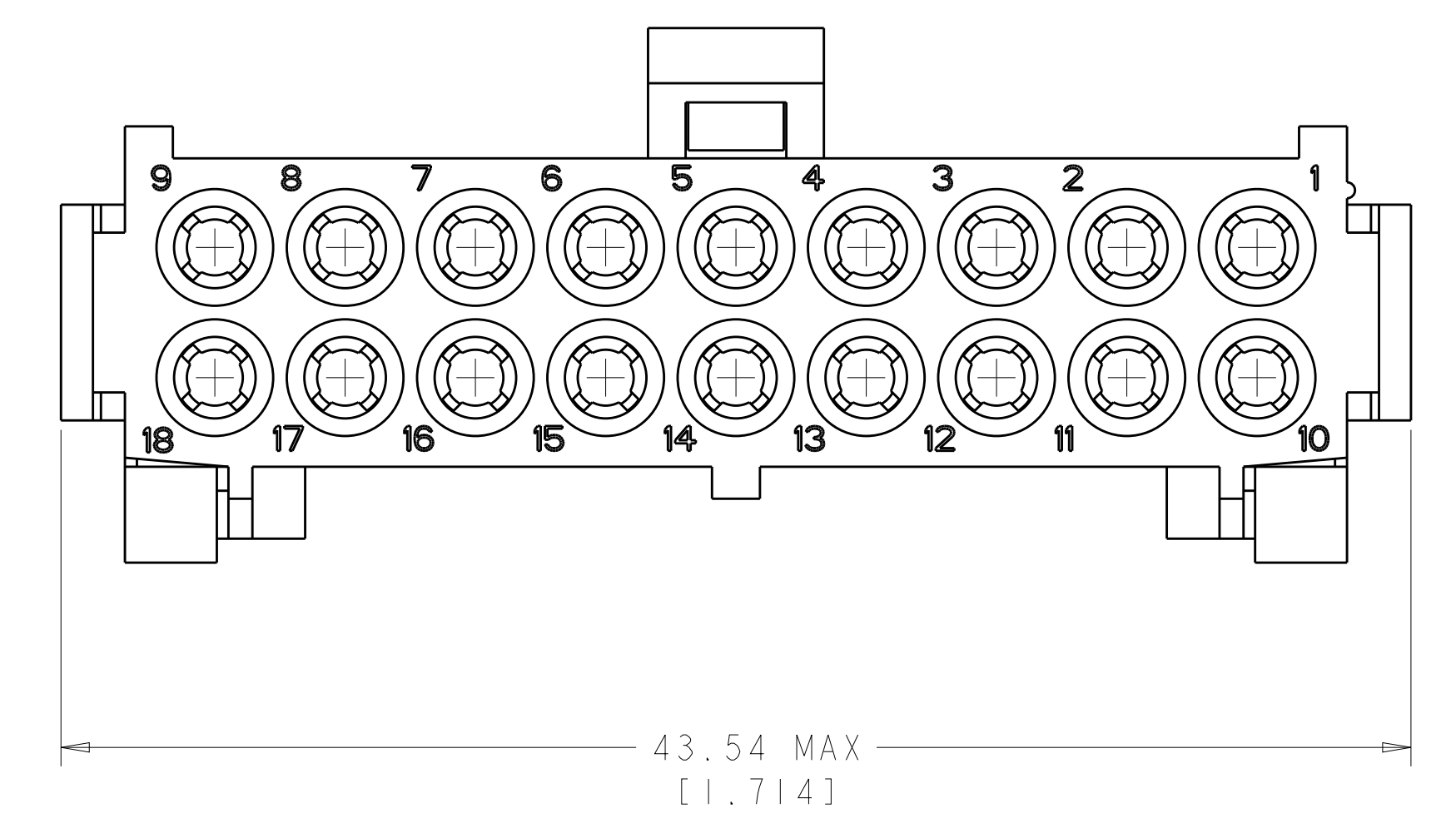
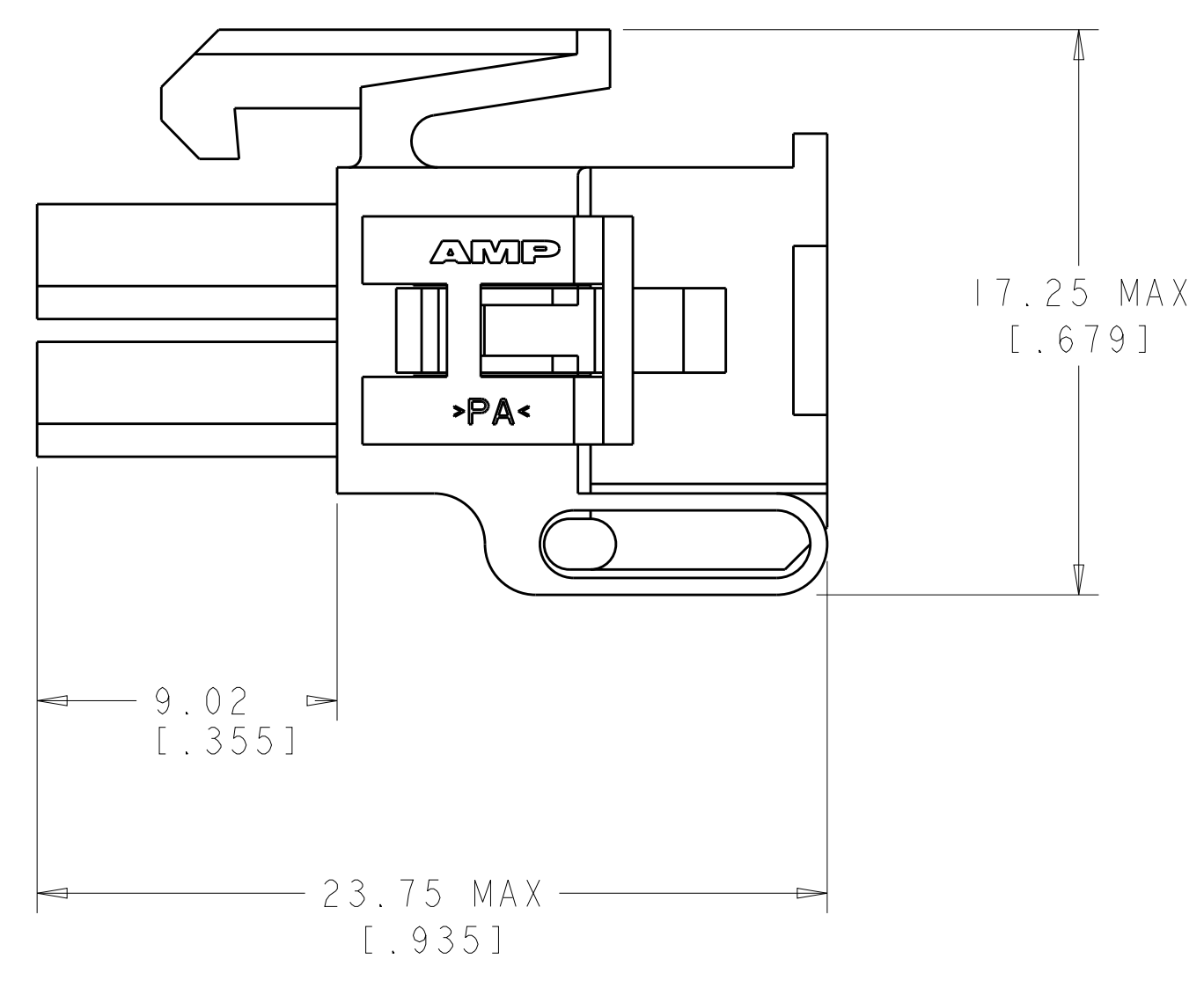
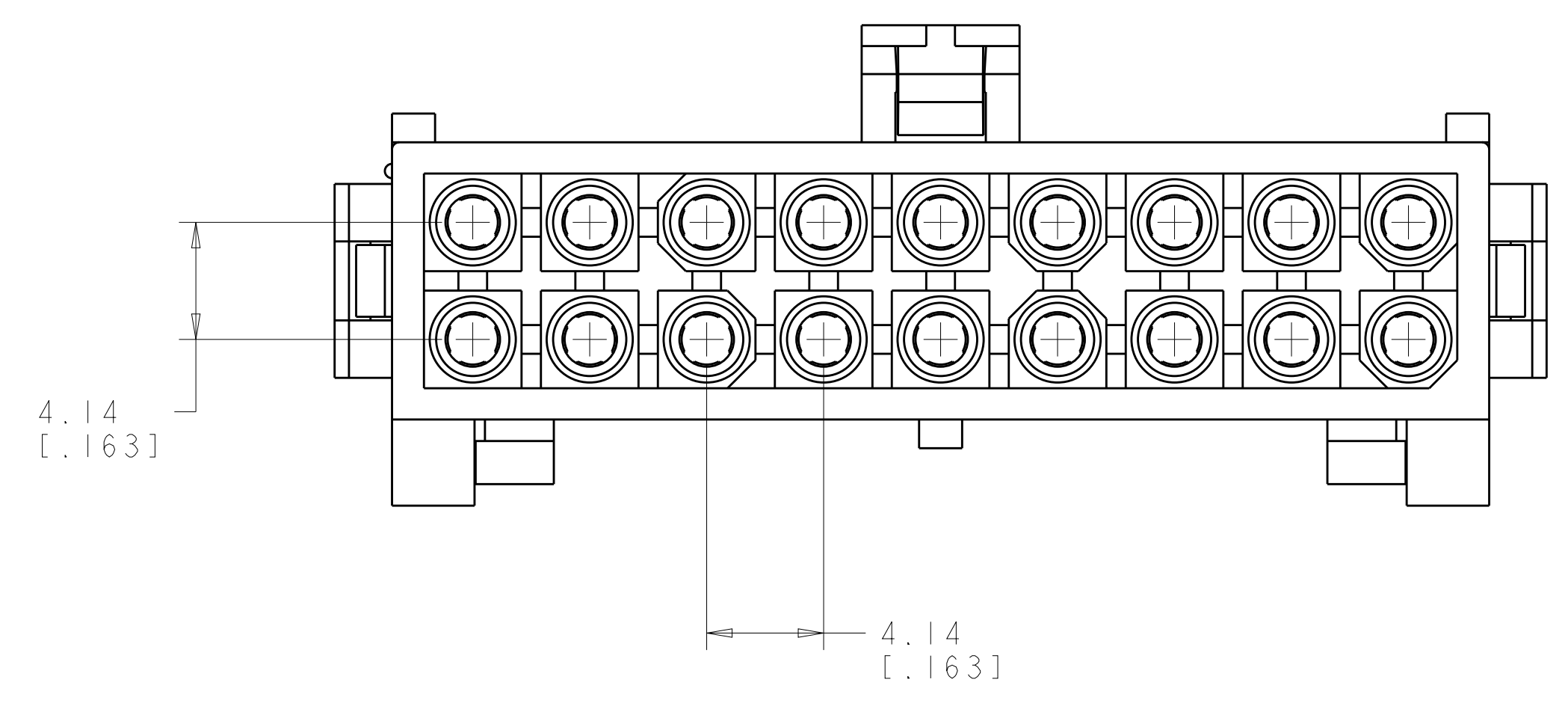


LOC	DIST	REVISIONS			
P	LTN	DESCRIPTION	DATE	DWN	APVD
C1		REVISED PER ECR 10-025344	23FEB11	JR	TM
C2		REVISED PER ECR-19-010591	17JUL2019	BKW	SW

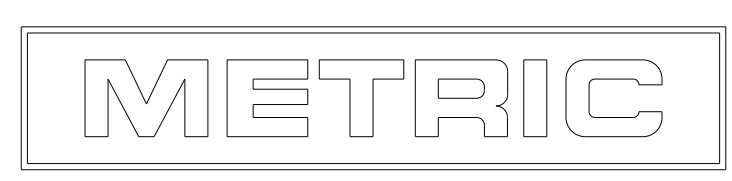


PRE-STAGED CONDITION



0.296 IN ³	794208-1
VOLUME	PART NUMBER

<small>THIS DRAWING IS UNPUBLISHED. IT IS THE PROPERTY OF TYCO ELECTRONICS CORPORATION AND IS TO BE CONTROLLED THROUGHOUT THE ENTIRE LIFE OF THE PRODUCT. IT IS TO BE KEPT IN CONFIDENTIALITY AND NOT TO BE DISCLOSED TO ANY OTHER ORGANIZATION WITHOUT THE WRITTEN PERMISSION OF TYCO ELECTRONICS CORPORATION.</small>		DWN K. WHITAKER 01AUG2007	Tyco Electronics Harrisburg, PA 17105-3608
DIMENSIONS: mm [INCHES]		CHK C. JONES 01AUG2007	
TOLERANCES UNLESS OTHERWISE SPECIFIED: 0 PLC ± 1 PLC ± 2 PLC ±0.13 [.005] 3 PLC ± 4 PLC ± ANGLES ±40°30'		APVD C. JONES 01AUG2007	NAME PLUG, DUAL ROW, 18 CIRCUIT, MINI UNIVERSAL MATE-N-LOK(TM) 2
MATERIAL: NYLON UL 94V-0, NATURAL		FINISH -	RESTRICTED TO A 00779C=794208
CUSTOMER DRAWING		SCALE 5:1	SHEET 1 OF 1 REV C2



单击下面可查看定价，库存，交付和生命周期等信息

[>>TE Connectivity\(泰科\)](#)