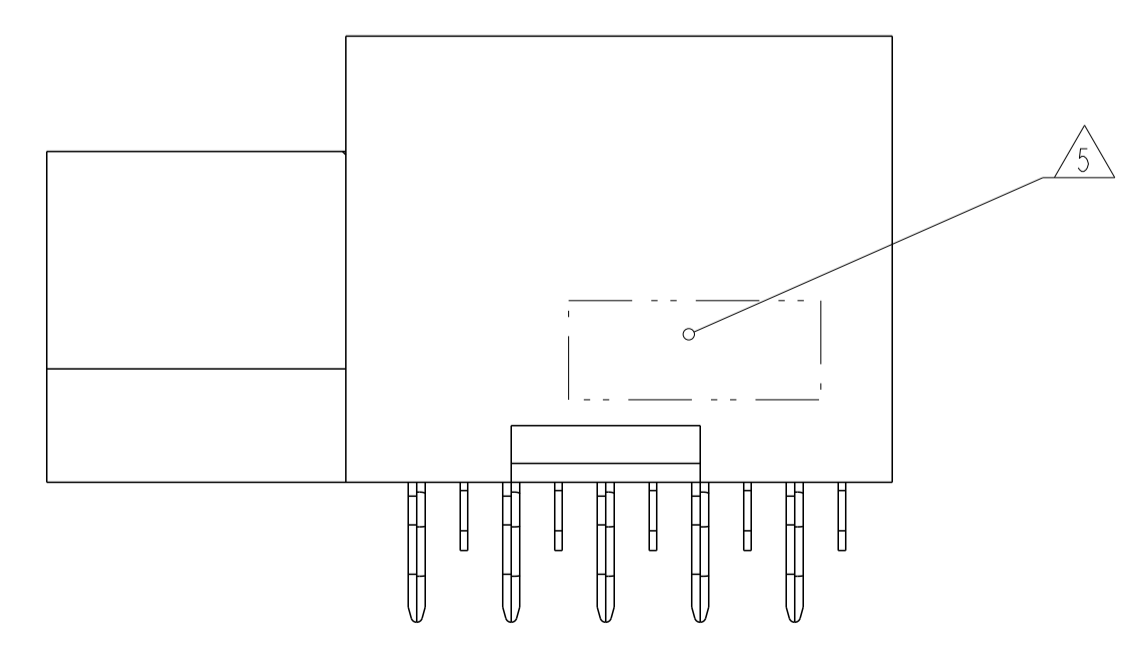
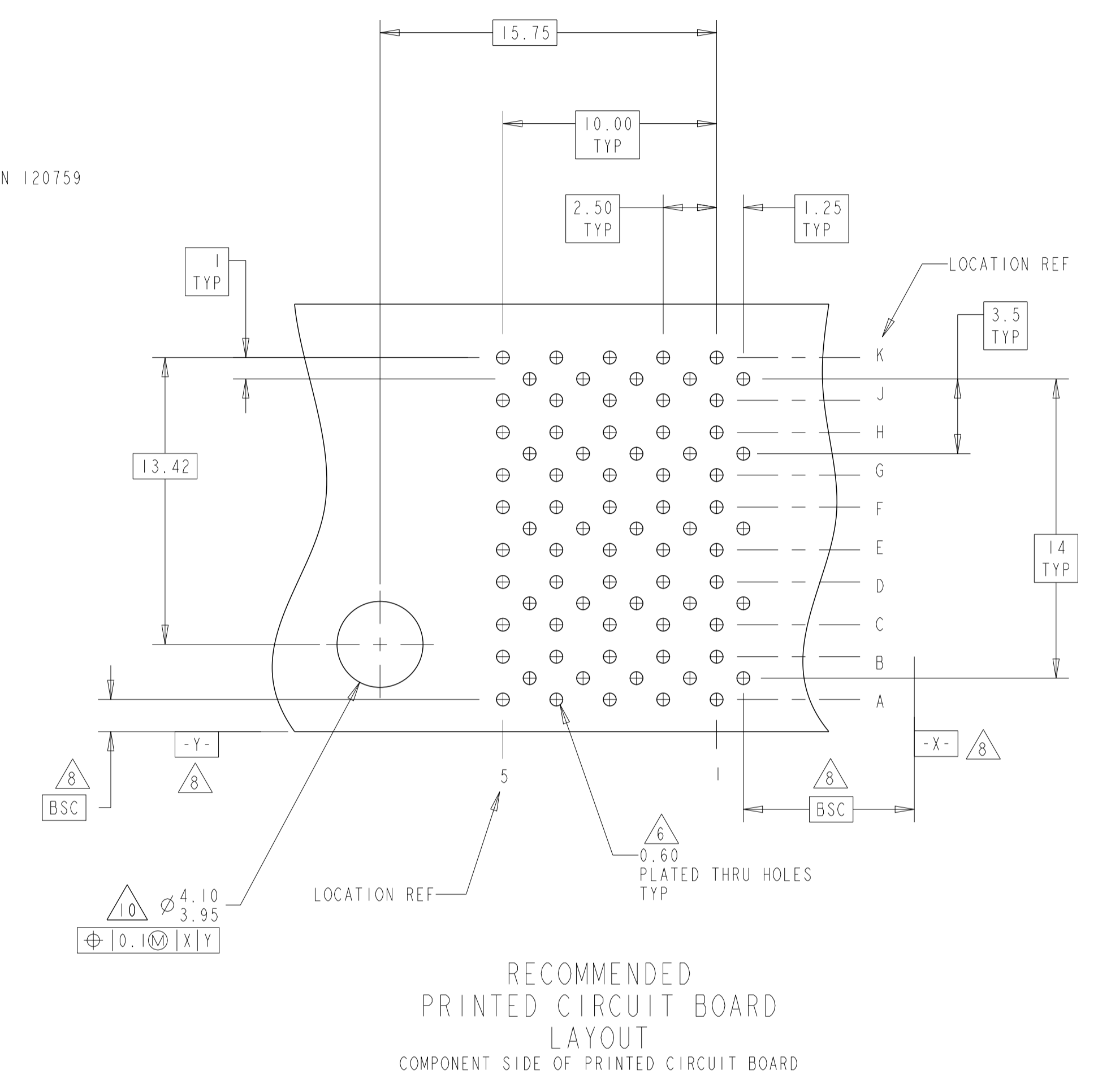
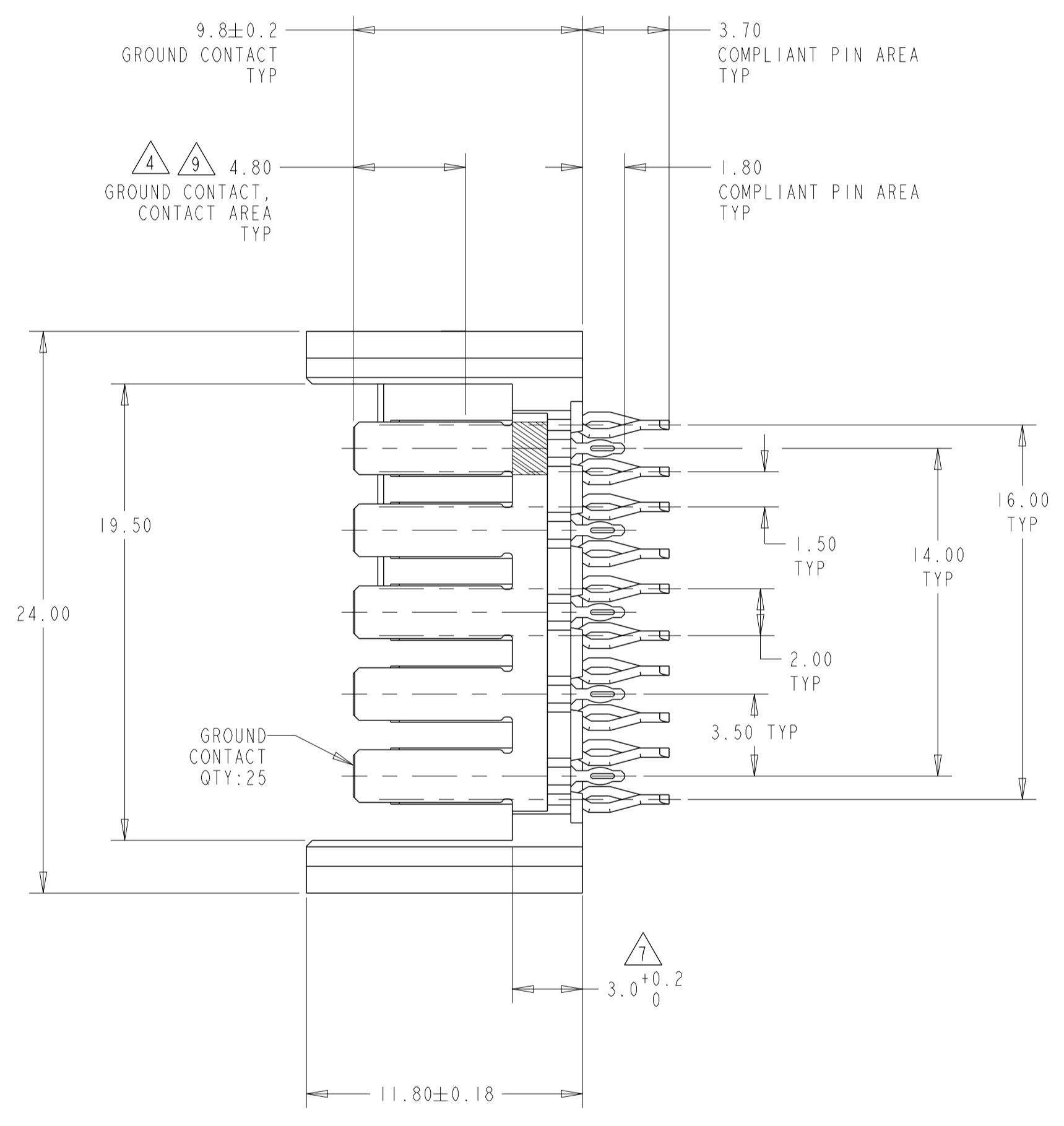
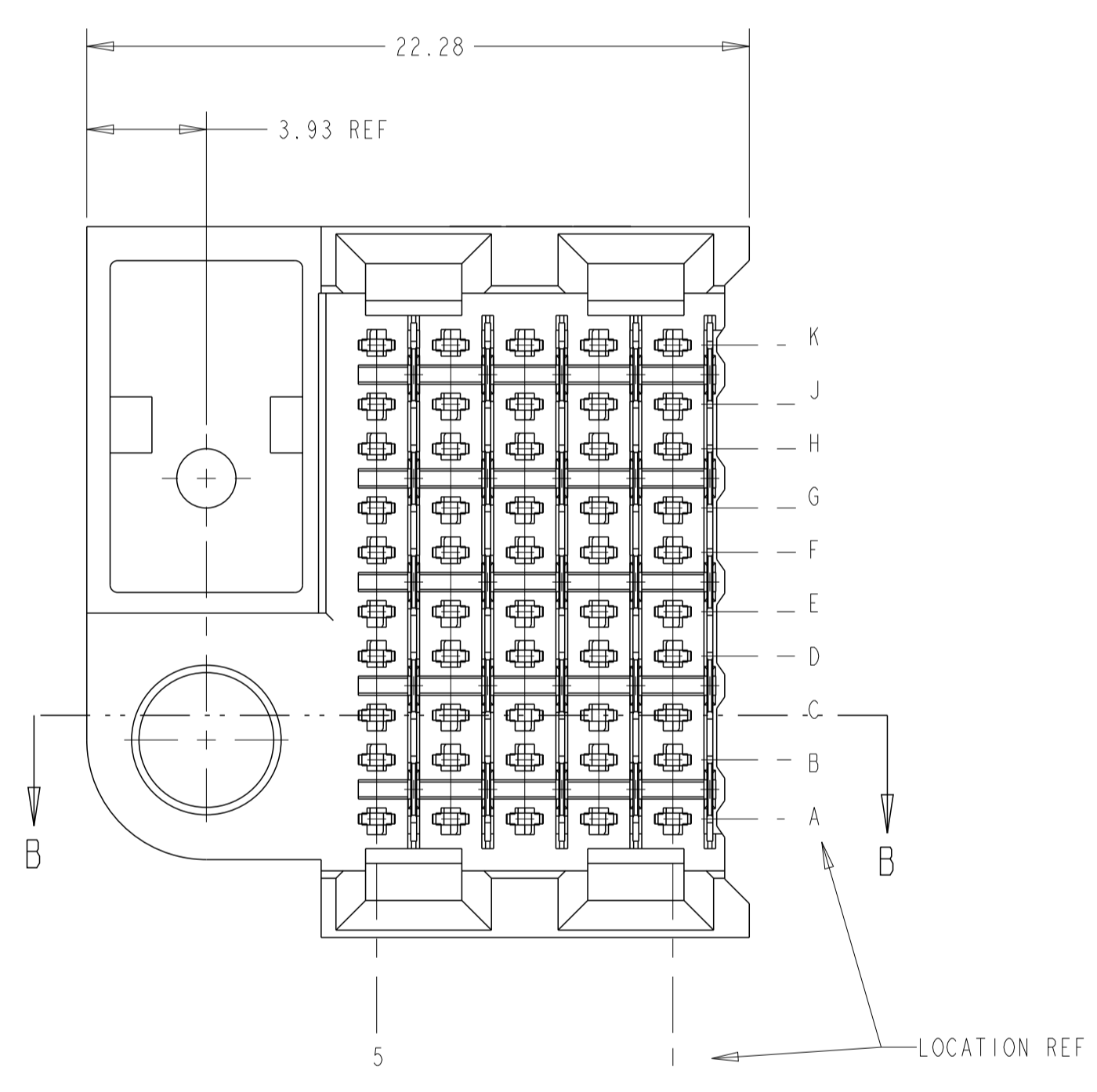
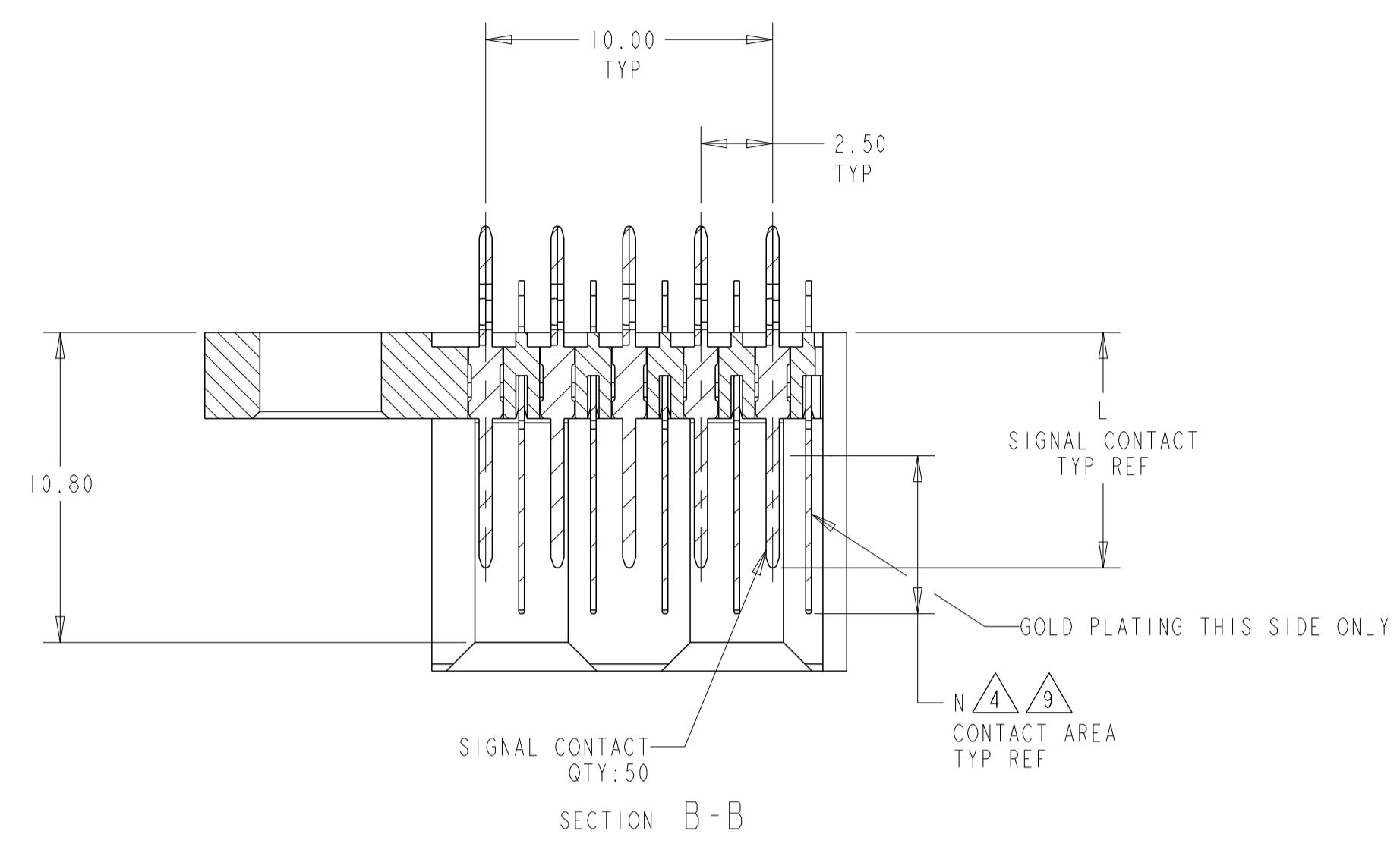


LOC		DIST		REVISIONS			
P	LTN	DATE	DWN	APVD			
B2		28SEP2012	KH	JE	REVISED EPR ECO-12-011334		

- 2 PHOSPHOR BRONZE
- 3 LCP, UL94V-0
- 4 FINISH:
CONTACT MATING AREA MEETS THE PERFORMANCE REQUIREMENTS OF
TE CONNECTIVITY PRODUCT SPECIFICATION 108-1957; BASED ON
TELCORDIA GR-1217-CORE; APPLICATIONS IN UNCONTROLLED ENVIRONMENTS.
COMPLIANT PIN AREA: 0.5µm MIN MATTE TIN OVER BASE PLATING.
- 5 CONNECTOR MARKED WITH PART NUMBER AND DATE CODE
- 6 REFERENCE APPLICATION SPEC 114-13020 FOR RECOMMENDED
PLATED THRU HOLE DIAMETER AND PLATING THICKNESS.
- 7 APPLICATION SEATING HEIGHT TO PRINTED CIRCUIT BOARD
- 8 DATUMS AND BASIC DIMENSIONS ESTABLISHED BY CUSTOMER
- 9 CONTACT AREA LUBRICATED WITH BELLCORE APPROVED LUBRICANT
TECHNICAL REFERENCE: GR-1217-CORE, ISSUE 1, NOVEMBER 1995
- 10 HOLE DIAMETER SHOULD BE 3.10 WHEN USING FEED THROUGH GUIDE PIN P/N 120759
CLEARANCE FOR M3x0.5 THREAD



5.50	9.7	5120661-2
5.50	8.2	5120661-1
N	L	PART NUMBER

THIS DRAWING IS A CONTROLLED DOCUMENT.

DIMENSIONS:	TOLERANCES UNLESS OTHERWISE SPECIFIED:	DWN: B. CARBO 06DEC04	CHK: R. PATTERSON 06DEC04	APVD: R. PATTERSON 06DEC04	NAME: R. PATTERSON 06DEC04
mm	0 PLC ±	PRODUCT SPEC			
	1 PLC ±	APPLICATION SPEC			
	2 PLC ±0.13	SIZE: A1			
	3 PLC ±0.05	CAGE CODE: 00779			
	4 PLC ±	DRAWING NO: 5120661			
	ANGLES ±	RESTRICTED TO: 1			
MATERIAL:	FINISH:	WEIGHT:	SCALE: 5:1		
HOUSING: 3			SHEET 1 OF 1		
CONTACTS: 2	SIGNAL CONTACT: 4	CUSTOMER DRAWING			

TE TE Connectivity

HEADER ASSEMBLY, 50 POSITION, RIGHT HAND, 10 ROW, Z PACK HS3

单击下面可查看定价，库存，交付和生命周期等信息

[>>TE Connectivity\(泰科\)](#)