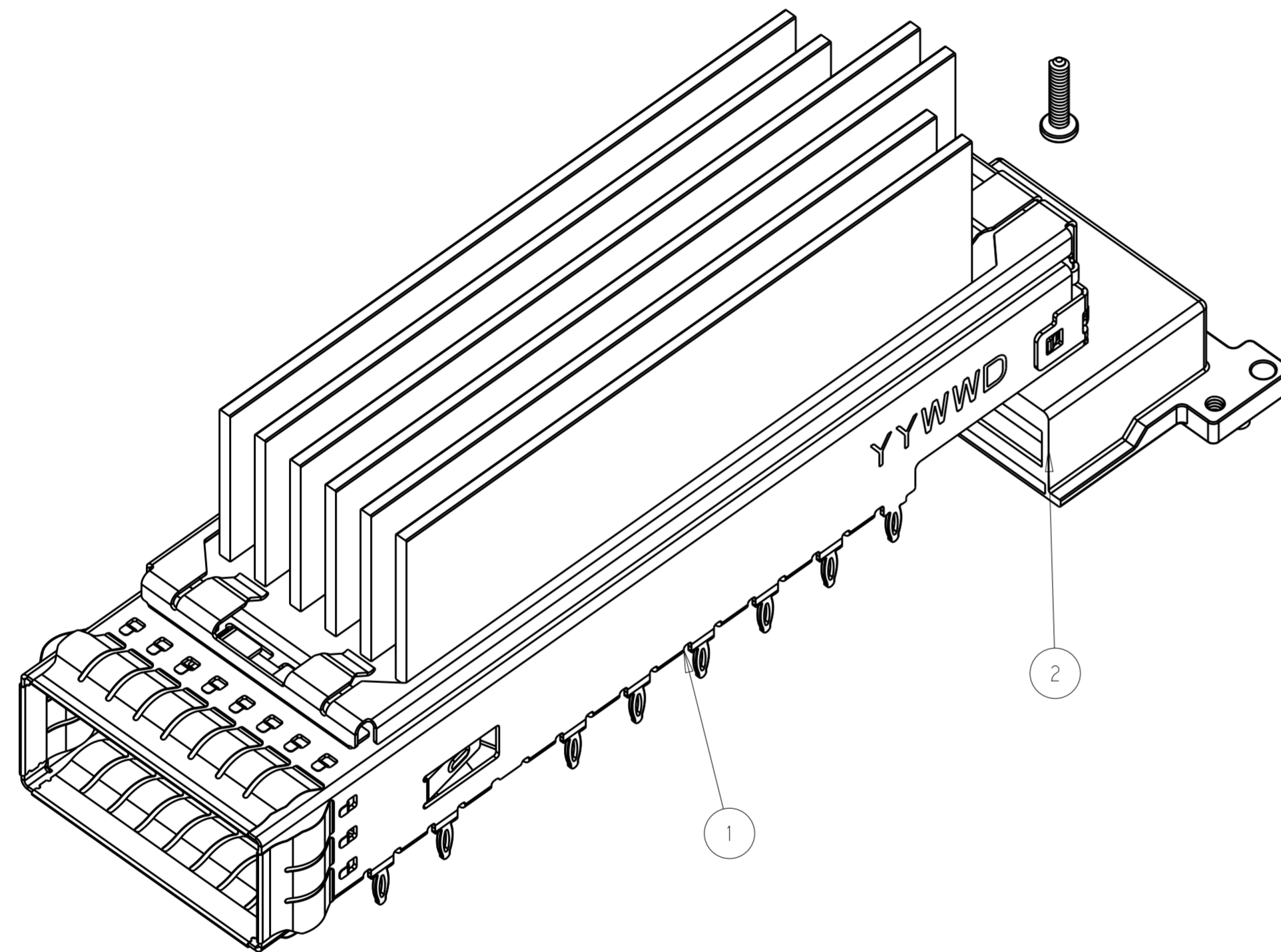


THIS DRAWING IS UNPUBLISHED. RELEASED FOR PUBLICATION 20
 © COPYRIGHT 20 BY - ALL RIGHTS RESERVED.

REVISIONS					
P	LTR	DESCRIPTION	DATE	DWN	APVD
1		PRELIMINARY DRAWING	16JUN2015	AD	SH
2		REVISE BOM	25JUN2015	AD	SH
3		REVISE HEAT SINK	10JULY2015	AD	SH



1. MATERIAL : CAGE : 0.3MM THICK NICKEL SILVER ALLOY;
 EMI SPRING: COPPER ALLOY;
 HEAT SINK CLIP: STAINLESS STEEL;
 HEAT SINK: ALUMINUM ALLOY;
 RECEPTACLE COVER: ZINC ALLOY;

2. FINISH: EMI SPRING -1.27um NICKEL PLATING OVER ALL;
 HEAT SINK: BLACK ANODIZED COATING;
 RECEPTACLE COVER: 1.27um MIN NICKEL PLATING OVER COPPER PLATING;
 HEAT SINK CLIP: PASSIVATE;

3. MATES WITH CFP MSA COMPLIANT TRANSCEIVERS.

4. DATUM AND BASIC DIMENSION ESTABLISHED BY CUSTOMER.

5. MINIMUM PC BOARD THICKNESS: SINGLE SIDE APPLICATIONS=2.99±0.63mm.

6. PADS AND VIAS CHASSIS GROUND;

7. REFERENCE APPLICATION SPEC 114-XXXX, HOLE A, FOR RECOMMENDED DRILL HOLE DIAMETER AND PLATING THICKNESS.

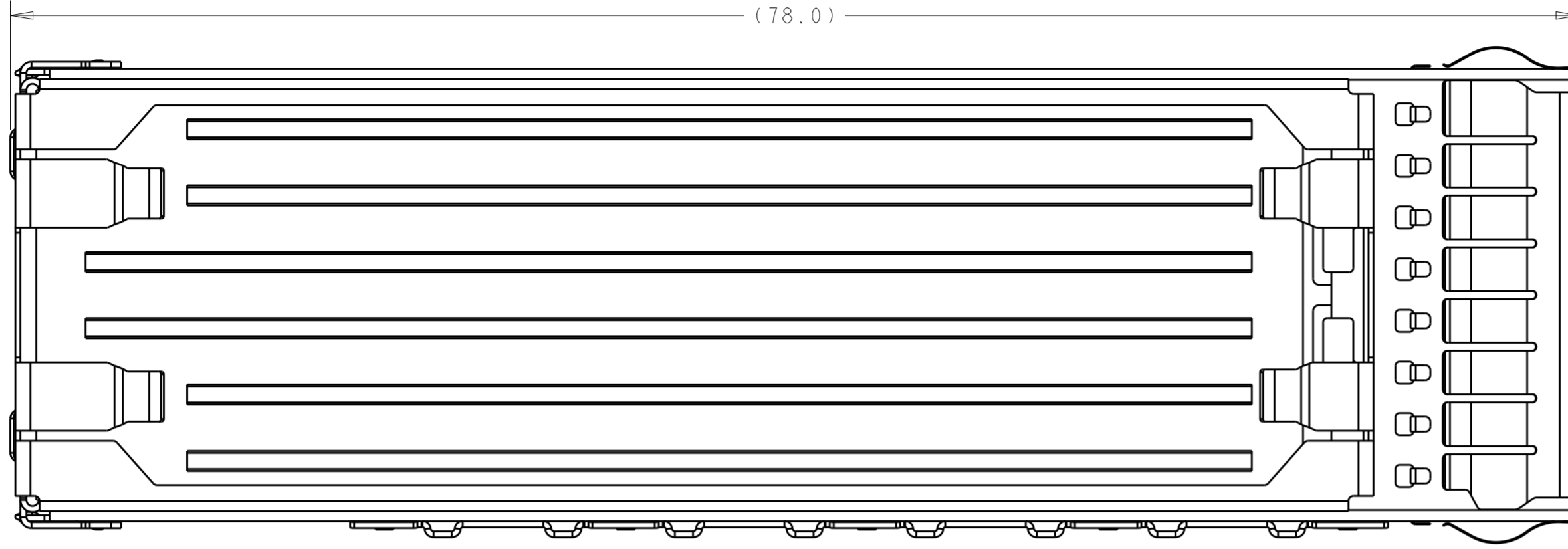
THIS PRINT IS
PRELIMINARY
 UNQUALIFIED PRODUCT
 CONTACT PRODUCT ENGINEERING
 BEFORE USING THIS PRINT

2	2292789-1	SCREW	3
1	2288228-1	RECEPTACLE COVER ASSEMBLY	2
1	2293289-3	CAGE ASSEMBLY WITH HS, CFP4 1X1	1
-1	PAR NUMBER	DESCRIPTION	ITEM

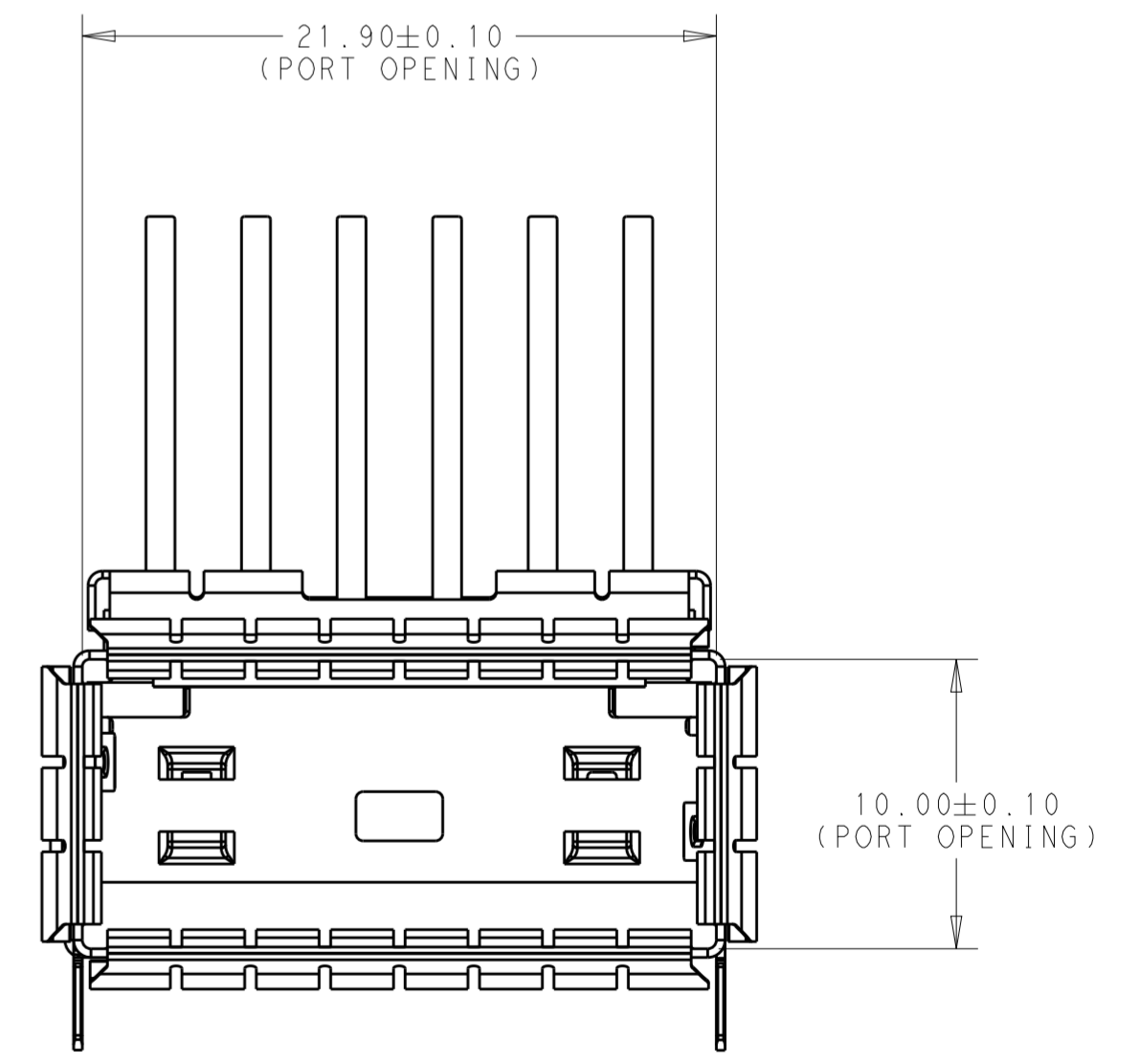
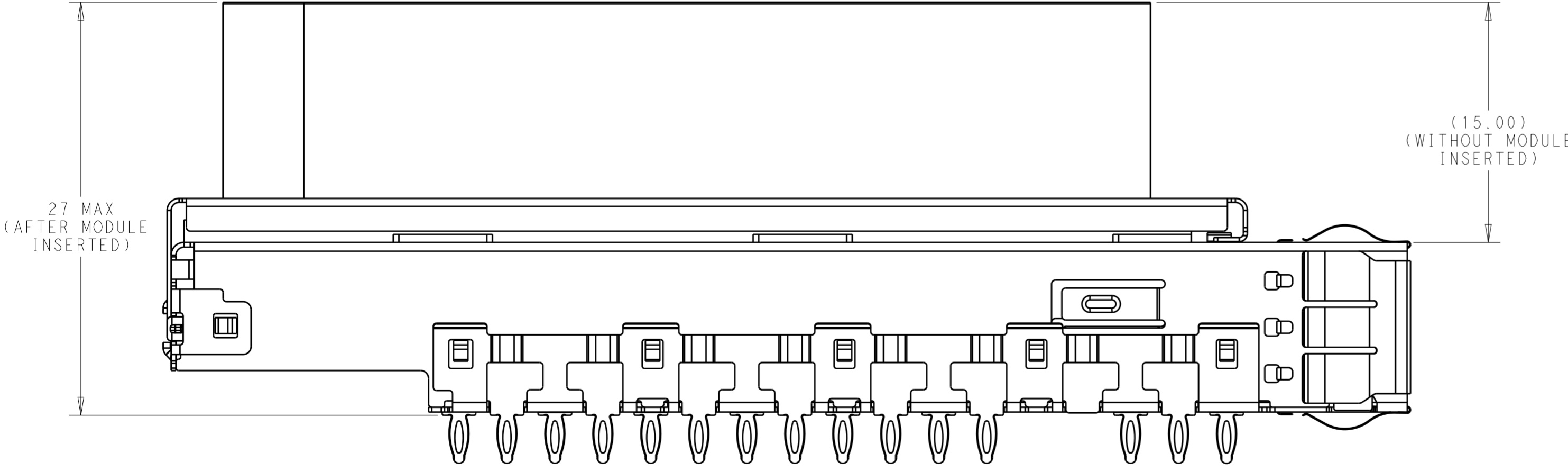
THIS DRAWING IS A CONTROLLED DOCUMENT.		DWN ANDY.XIE 16JUN2015	TE Connectivity	
		CHK SEAN.HAN 16JUN2015		
		APVD SEAN.HAN 16JUN2015		
		PRODUCT SPEC		
DIMENSIONS: mm		TOLERANCES UNLESS OTHERWISE SPECIFIED:		NAME HARD WARE KIT FOR CFP4 1X1 PRESS FIT (CAGE, HS, HS CLIP, COVER, SCREW)
 0 PLC ± 1 PLC ±0.25 2 PLC ±0.13 3 PLC ±0.10 4 PLC ± ANGLES ± FINISH 2		APPLICATION SPEC	SIZE A2	CAGE CODE -
MATERIAL 1		WEIGHT -	DRAWING NO C-C2294014	RESTRICTED TO -
		Customer Drawing	SCALE 4:1	SHEET 1 OF 6
				REV 3

THIS DRAWING IS UNPUBLISHED. RELEASED FOR PUBLICATION 20
 © COPYRIGHT 20 BY - ALL RIGHTS RESERVED.

REVISIONS				
P	LTR	DESCRIPTION	DATE	APVD
-		SEE SHEET 1	-	-



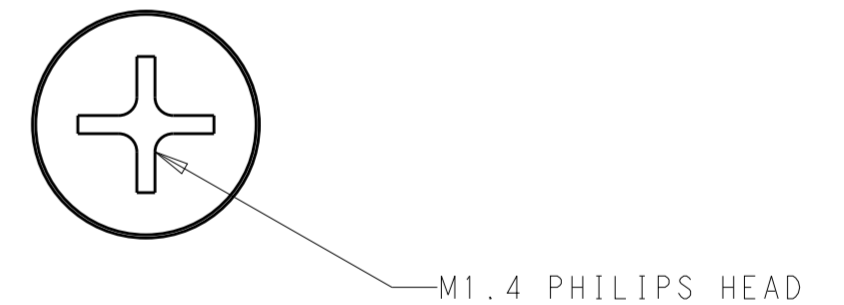
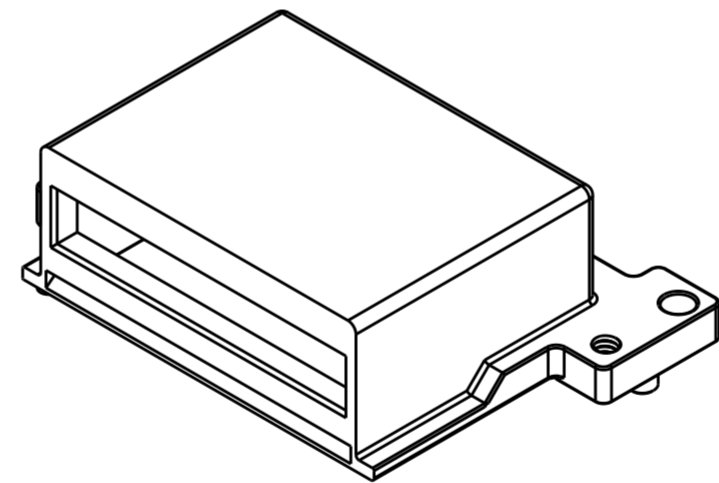
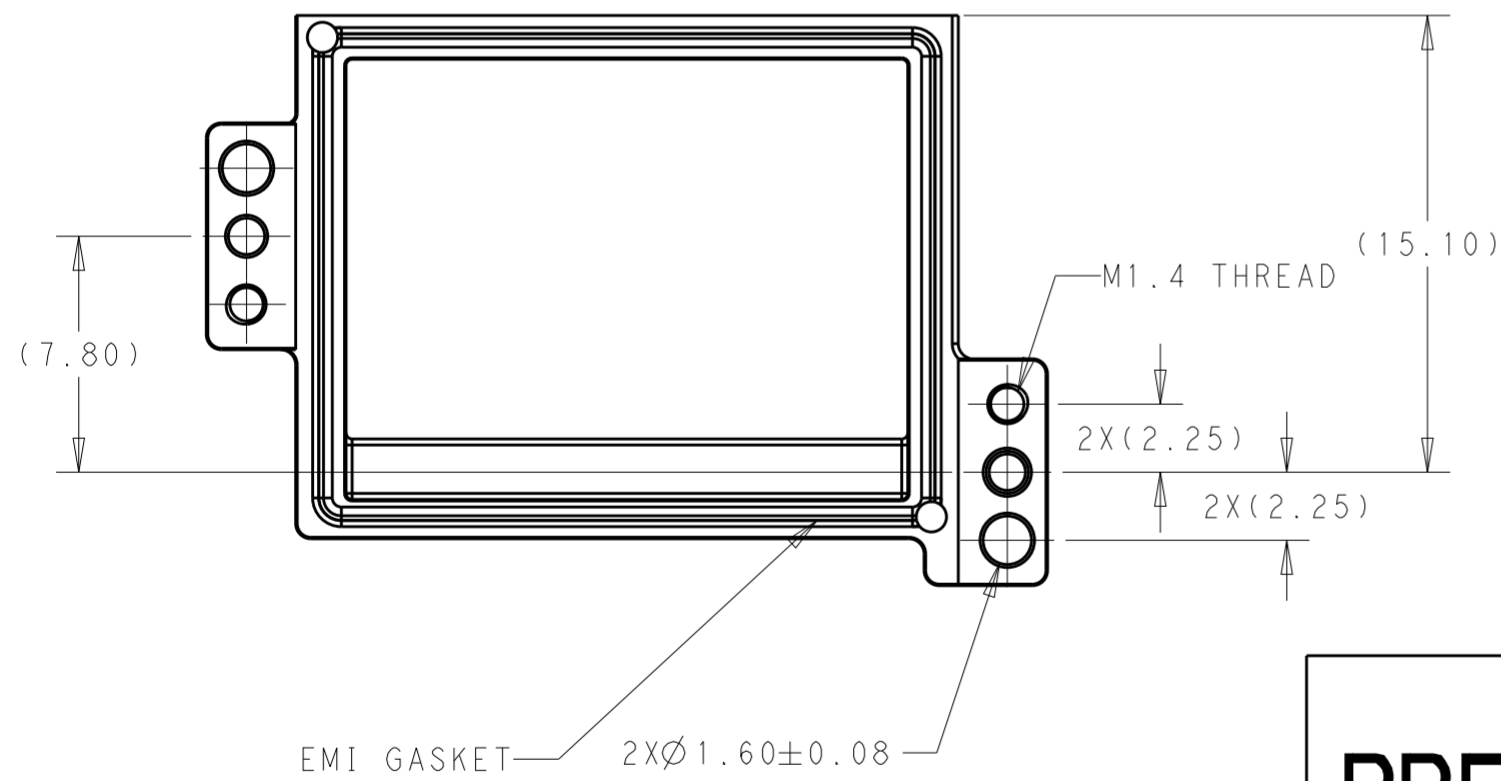
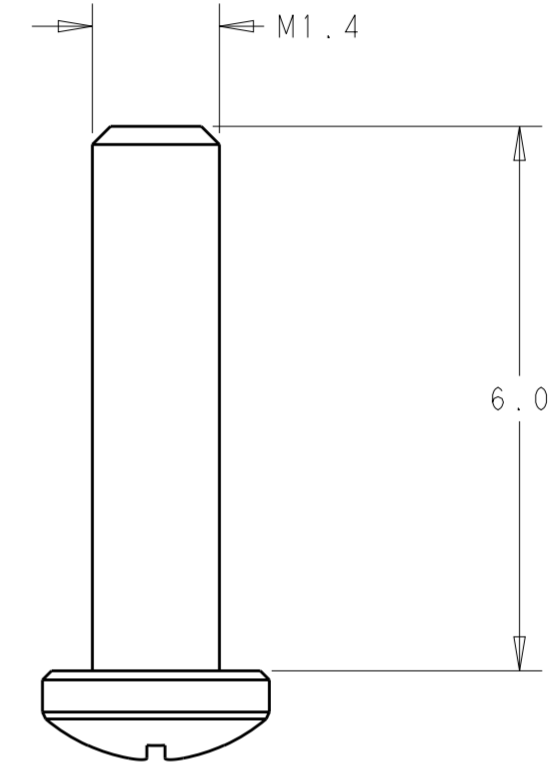
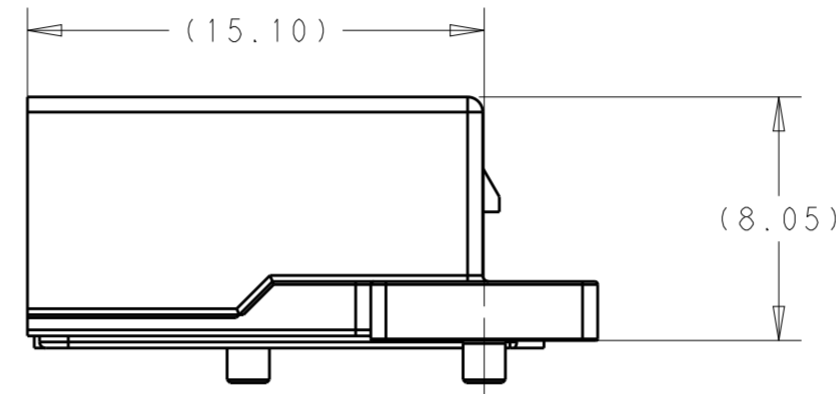
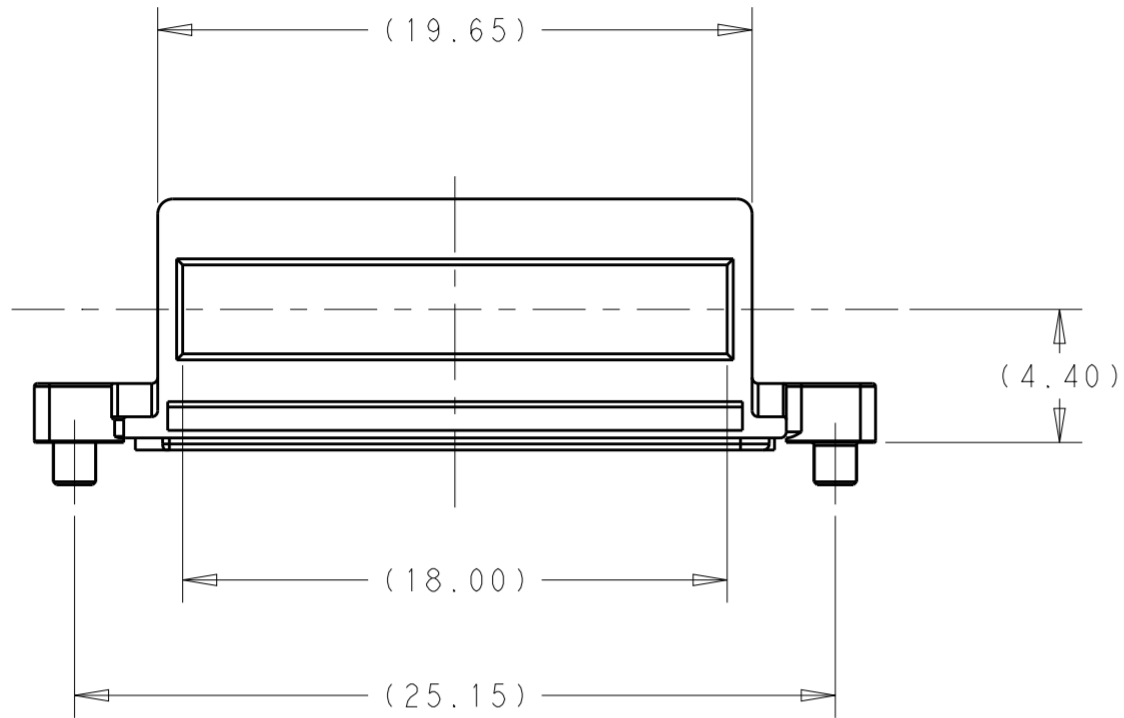
THIS PRINT IS
PRELIMINARY
 UNQUALIFIED PRODUCT
 CONTACT PRODUCT ENGINEERING
 BEFORE USING THIS PRINT



THIS DRAWING IS A CONTROLLED DOCUMENT.		DWN ANDY.XIE 16 JUN 2015	STE TE Connectivity	
		CHK SEAN.HAN 16 JUN 2015		
		APVD SEAN.HAN 16 JUN 2015	NAME HARD WARE KIT FOR CFP4 1X1	
DIMENSIONS:		PRODUCT SPEC		
mm		APPLICATION SPEC		
TOLERANCES UNLESS OTHERWISE SPECIFIED:		WEIGHT		
0 PLC	±	SCALE 4:1		
1 PLC	±0.25	SHEET 2 OF 6		
2 PLC	±0.13	REV 3		
3 PLC	±0.1			
4 PLC	±			
ANGLES	±			
FINISH	±			
MATERIAL	-	Customer Drawing		
	-	DRAWING NO. C-2294014		

THIS DRAWING IS UNPUBLISHED. RELEASED FOR PUBLICATION 20
 © COPYRIGHT 20 BY - ALL RIGHTS RESERVED.

REVISIONS				
P	LTR	DESCRIPTION	DATE	APVD
-	-	SEE SHEET 1	-	-

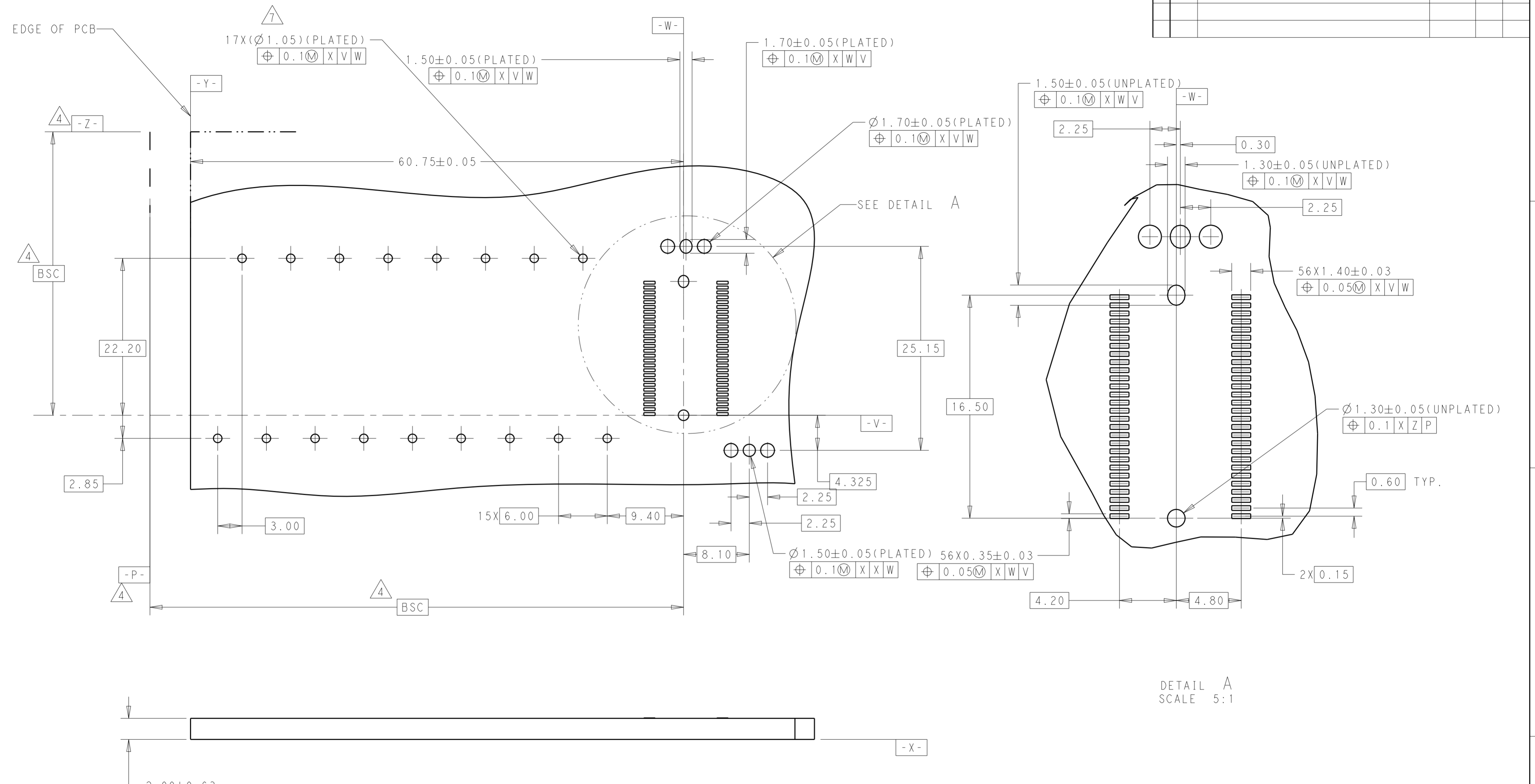


THIS PRINT IS
PRELIMINARY
 UNQUALIFIED PRODUCT
 CONTACT PRODUCT ENGINEERING
 BEFORE USING THIS PRINT

THIS DRAWING IS A CONTROLLED DOCUMENT.		DWN ANDY.XIE 16 JUN 2015	STE TE Connectivity	
DIMENSIONS: mm		CHK SEAN.HAN 16 JUN 2015		
TOLERANCES UNLESS OTHERWISE SPECIFIED:		APVD SEAN.HAN 16 JUN 2015	NAME HARD WARE KIT FOR CFP4 1X1	
0 PLC ±	±0.25	PRODUCT SPEC	SIZE A2	CAGE CODE -
1 PLC ±0.13		APPLICATION SPEC	DRAWING NO C-2294014	RESTRICTED TO -
2 PLC ±0.10		WEIGHT -	SCALE 4:1	SHEET 3 OF 6
3 PLC ±		Customer Drawing	REV 3	
4 PLC ±				
ANGLES	±			
FINISH	-			

THIS DRAWING IS UNPUBLISHED. RELEASED FOR PUBLICATION 20
 © COPYRIGHT 20 BY - ALL RIGHTS RESERVED.

REVISIONS				
P	LTR	DESCRIPTION	DATE	APVD
-	-	SEE SHEET 1	-	-

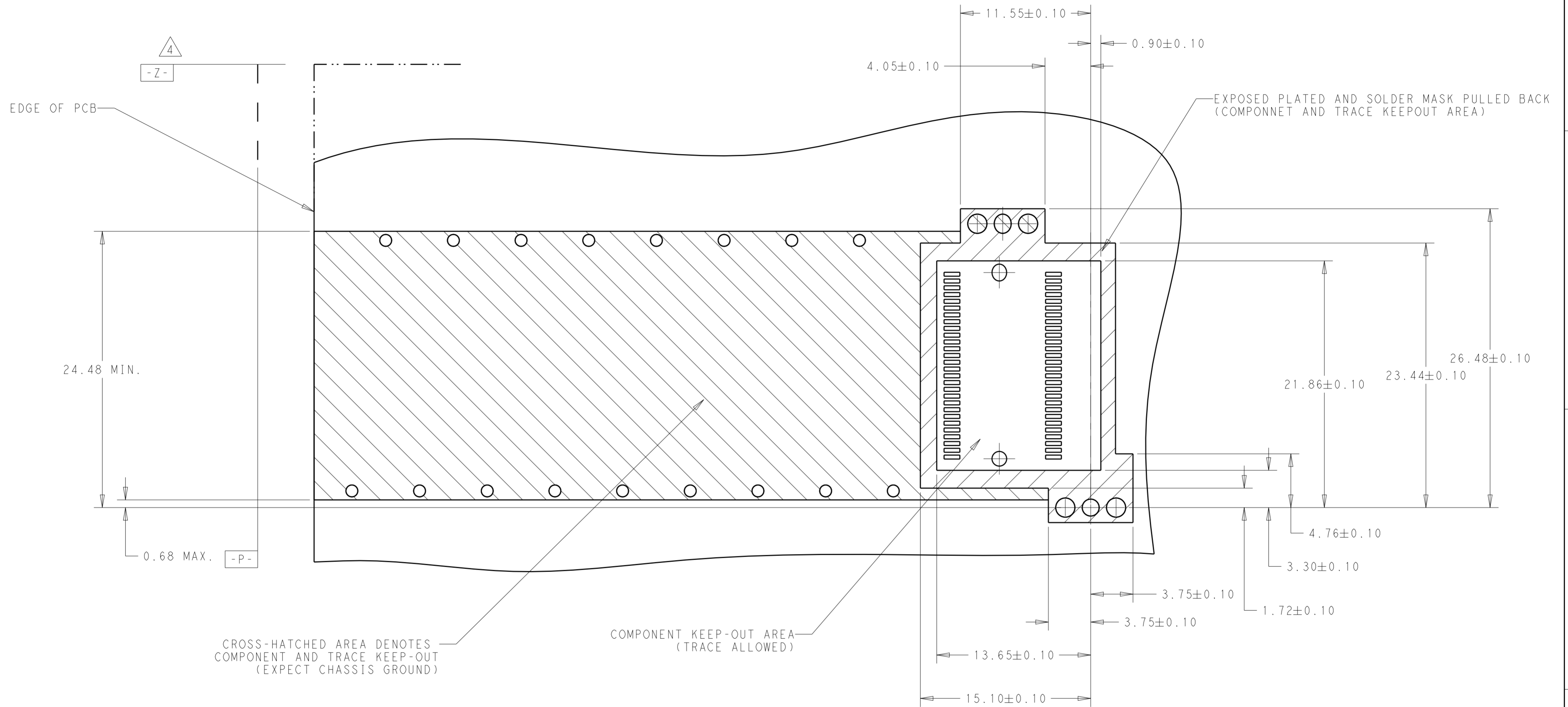


THIS PRINT IS
PRELIMINARY
 UNQUALIFIED PRODUCT
 CONTACT PRODUCT ENGINEERING
 BEFORE USING THIS PRINT

THIS DRAWING IS A CONTROLLED DOCUMENT.		DWN ANDY.XIE 16 JUN 2015	TE Connectivity	
		CHK SEAN.HAN 16 JUN 2015		
		APVD SEAN.HAN 16 JUN 2015	NAME HARD WARE KIT FOR CFP4 1X1	
DIMENSIONS: mm		PRODUCT SPEC	SIZE A2	CAGE CODE -
TOLERANCES UNLESS OTHERWISE SPECIFIED: 0 PLC \pm 1 PLC ± 0.25 2 PLC ± 0.13 3 PLC ± 0.10 4 PLC \pm ANGLES \pm FINISH		APPLICATION SPEC	DRAWING NO. C-2294014	RESTRICTED TO -
MATERIAL -		WEIGHT -	SCALE 4:1	SHEET 4 OF 6
		Customer Drawing	REV 3	

THIS DRAWING IS UNPUBLISHED. RELEASED FOR PUBLICATION 20
 © COPYRIGHT 20 BY - ALL RIGHTS RESERVED.

REVISIONS				
P	LTR	DESCRIPTION	DATE	APVD
-		SEE SHEET 1	-	-



CROSS-HATCHED AREA DENOTES
 COMPONENT AND TRACE KEEP-OUT
 (EXPECT CHASSIS GROUND)

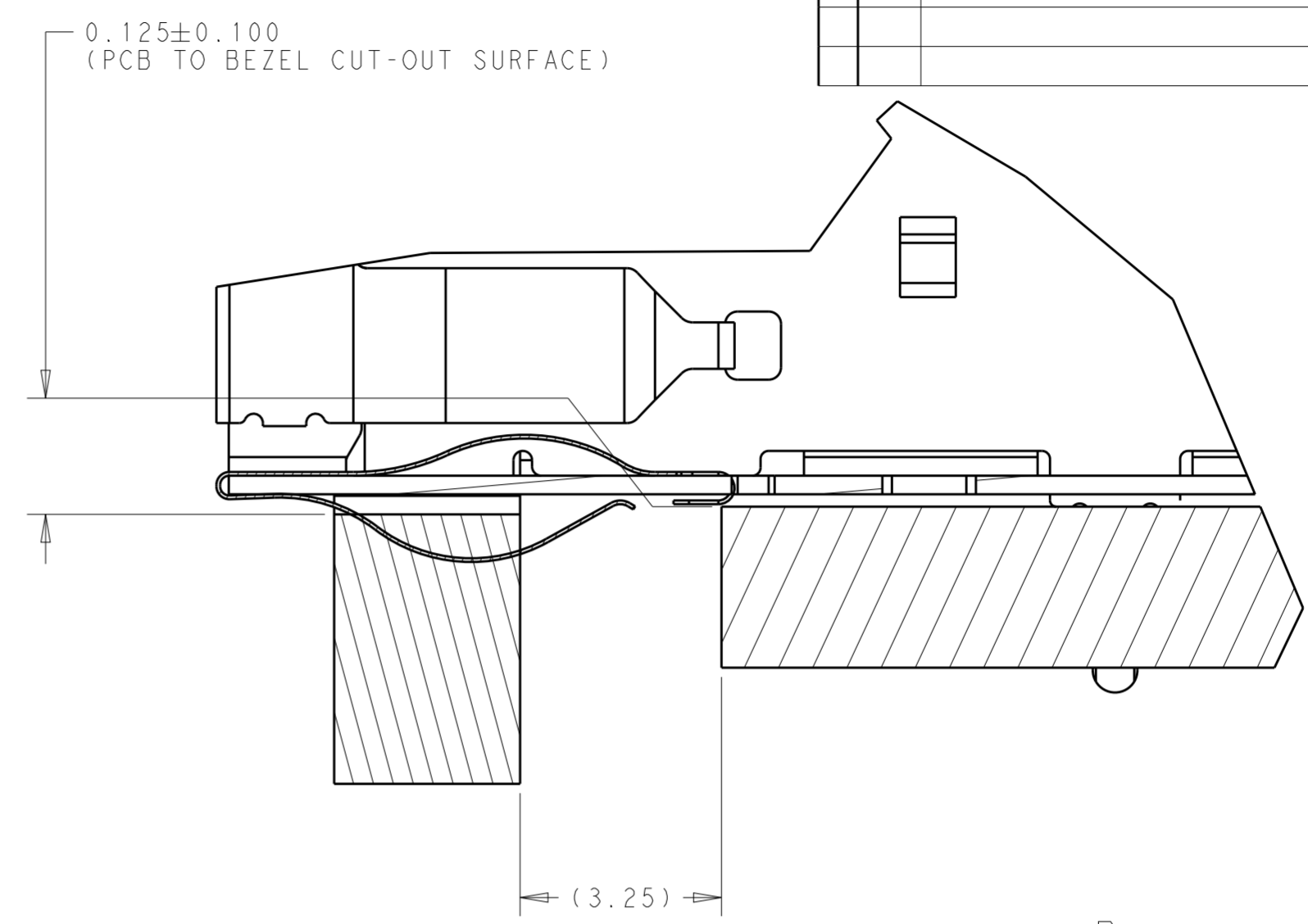
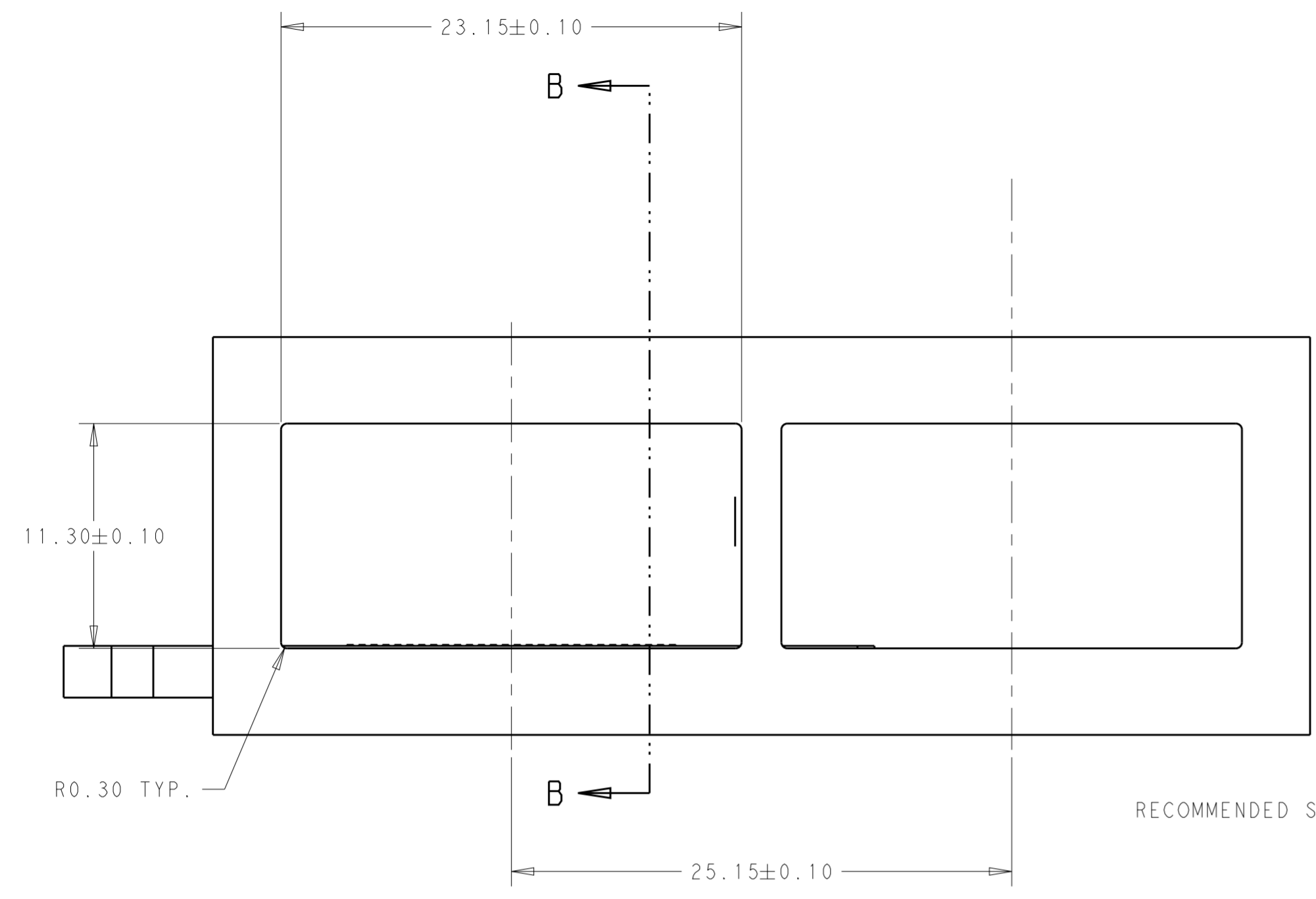
COMPONENT KEEP-OUT AREA
 (TRACE ALLOWED)

THIS PRINT IS
PRELIMINARY
 UNQUALIFIED PRODUCT
 CONTACT PRODUCT ENGINEERING
 BEFORE USING THIS PRINT

THIS DRAWING IS A CONTROLLED DOCUMENT.		DWN ANDY.XIE 16 JUN 2015	TE Connectivity	
		CHK SEAN.HAN 16 JUN 2015		
		APVD SEAN.HAN 16 JUN 2015	NAME HARD WARE KIT FOR CFP4 1X1	
DIMENSIONS: mm		PRODUCT SPEC -		SIZE A2
TOLERANCES UNLESS OTHERWISE SPECIFIED: 0 PLC ± 1 PLC ±0.25 2 PLC ±0.13 3 PLC ±0.10 4 PLC ± ANGLES ± FINISH		APPLICATION SPEC -		CAGE CODE -
MATERIAL -		WEIGHT -		DRAWING NO C-2294014
		Customer Drawing		RESTRICTED TO -
		SCALE 4:1		SHEET 5 OF 6 REV 3

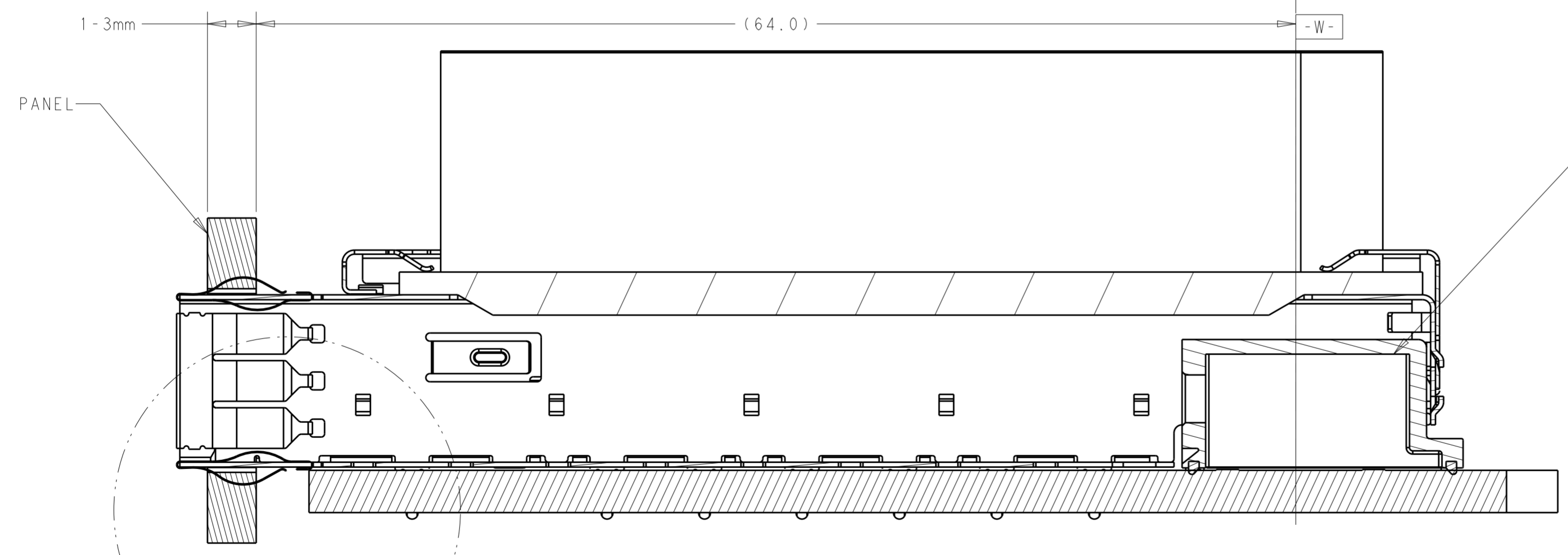
THIS DRAWING IS UNPUBLISHED. RELEASED FOR PUBLICATION 20
 © COPYRIGHT 20 BY - ALL RIGHTS RESERVED.

REVISIONS				
P	LTR	DESCRIPTION	DATE	APVD
-	-	SEE SHEET 1	-	-



RECOMMENDED SINGLE SIDE APPLICATION

DETAIL B
SCALE 10:1



THIS PRINT IS
PRELIMINARY
 UNQUALIFIED PRODUCT
 CONTACT PRODUCT ENGINEERING
 BEFORE USING THIS PRINT

SECTION B-B
SCALE 4:1

THIS DRAWING IS A CONTROLLED DOCUMENT.		DWN ANDY.XIE 16 JUN 2015	TE Connectivity	
DIMENSIONS: mm		CHK SEAN.HAN 16 JUN 2015		
TOLERANCES UNLESS OTHERWISE SPECIFIED:		APVD SEAN.HAN 16 JUN 2015	NAME HARD WARE KIT FOR CFP4 1X1	
0 PLC	±	PRODUCT SPEC	SIZE	RESTRICTED TO
1 PLC	±0.25	APPLICATION SPEC	A2	-
2 PLC	±0.13	WEIGHT	CAGE CODE	DRAWING NO
3 PLC	±0.10	Customer Drawing	-	C-2294014
4 PLC	±	SCALE	4:1	SHEET 6 OF 6
ANGLES	±	REV	3	
FINISH	-			

单击下面可查看定价，库存，交付和生命周期等信息

[>>TE Connectivity\(泰科\)](#)