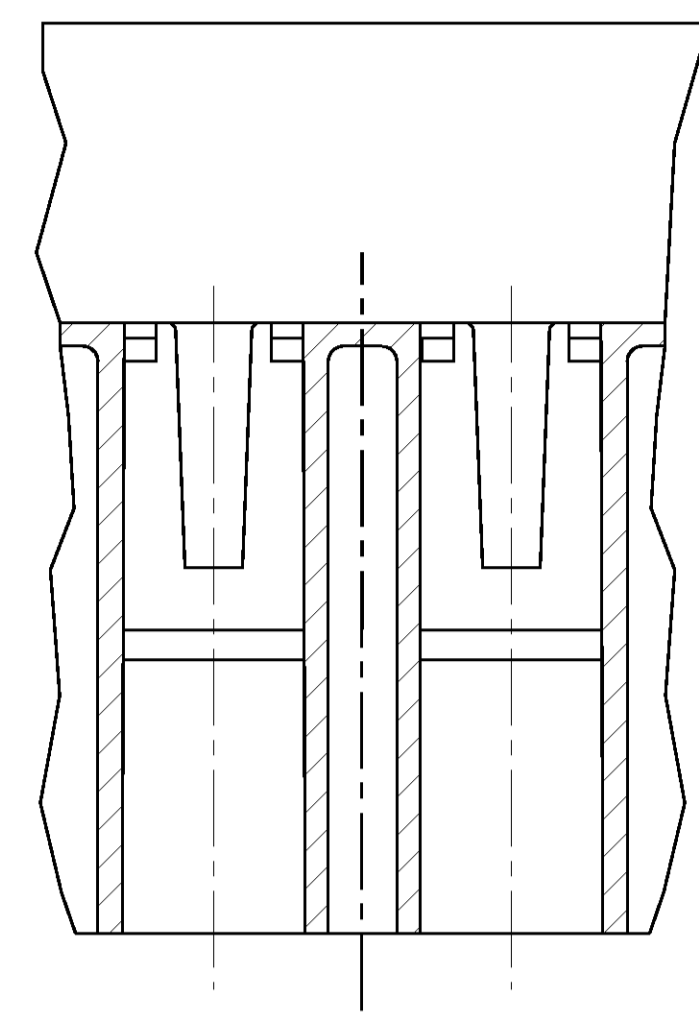
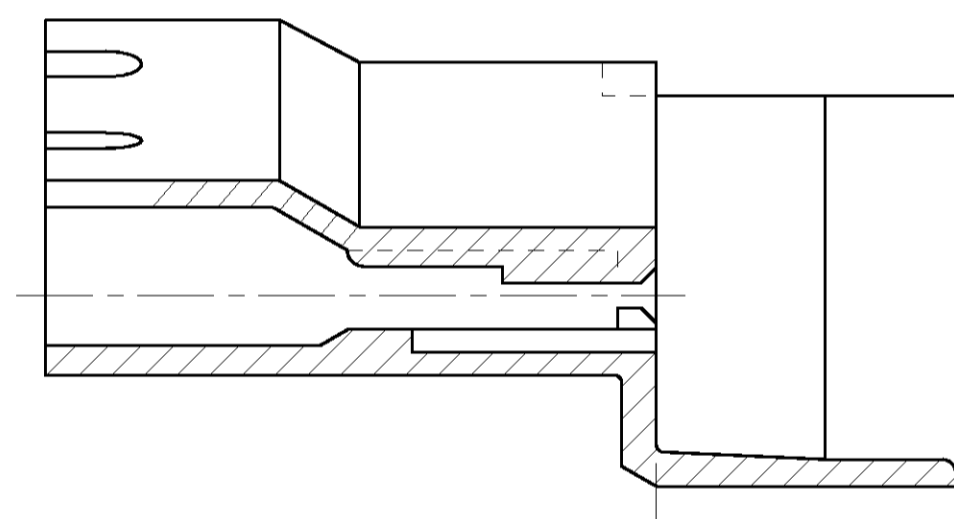
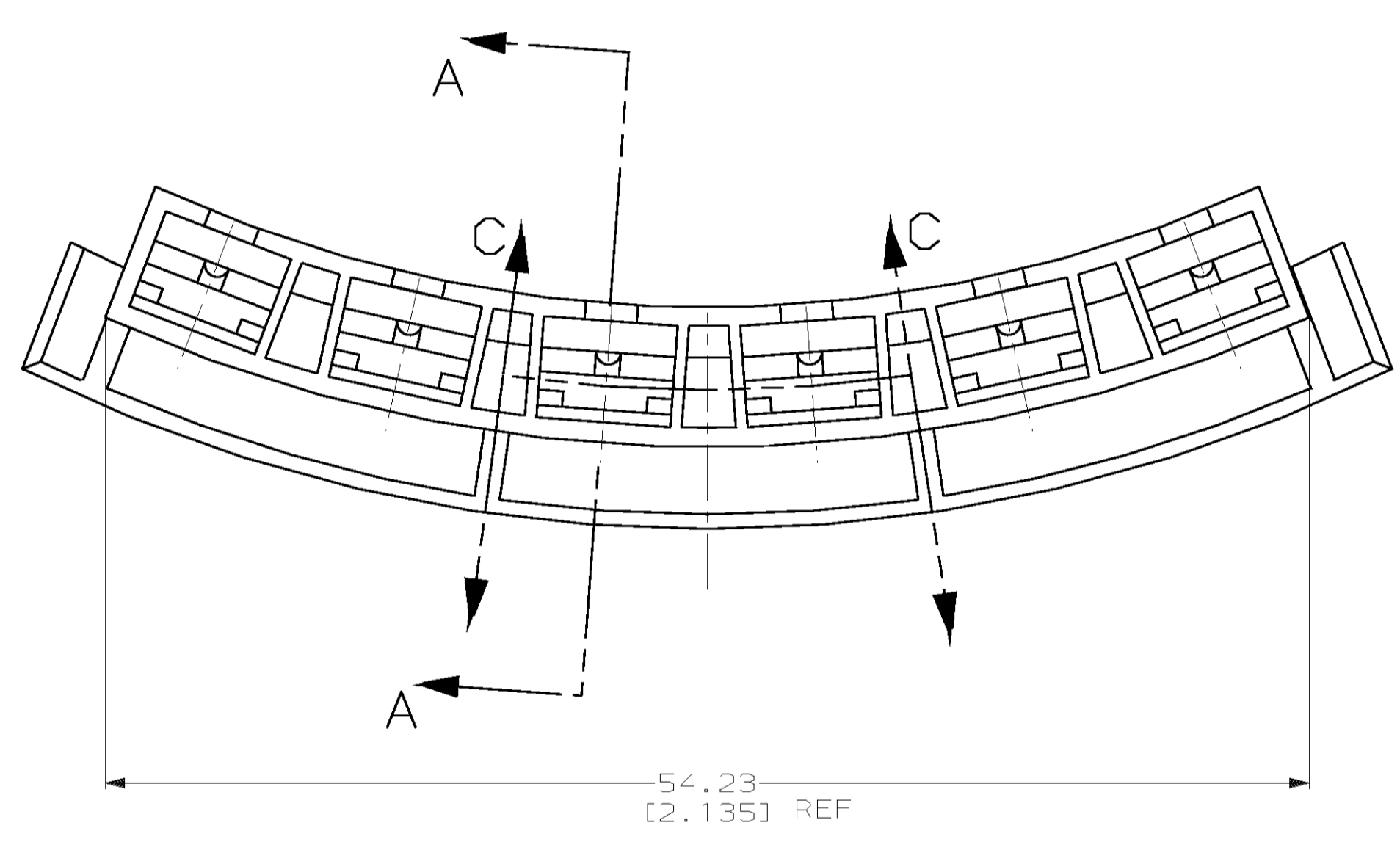


LOC		DIST		REVISIONS			
TR	LYR	DATE	OWN	APPRO			
G		REL PER 063A-0546-02	09SEP02	JR	ND		

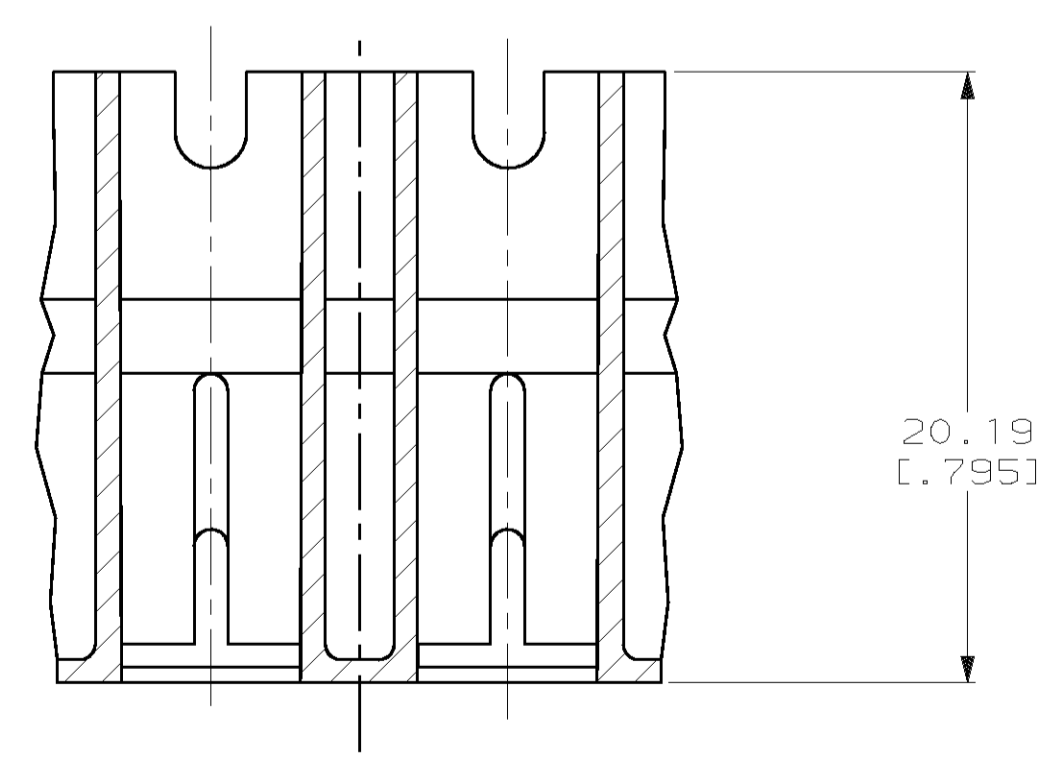
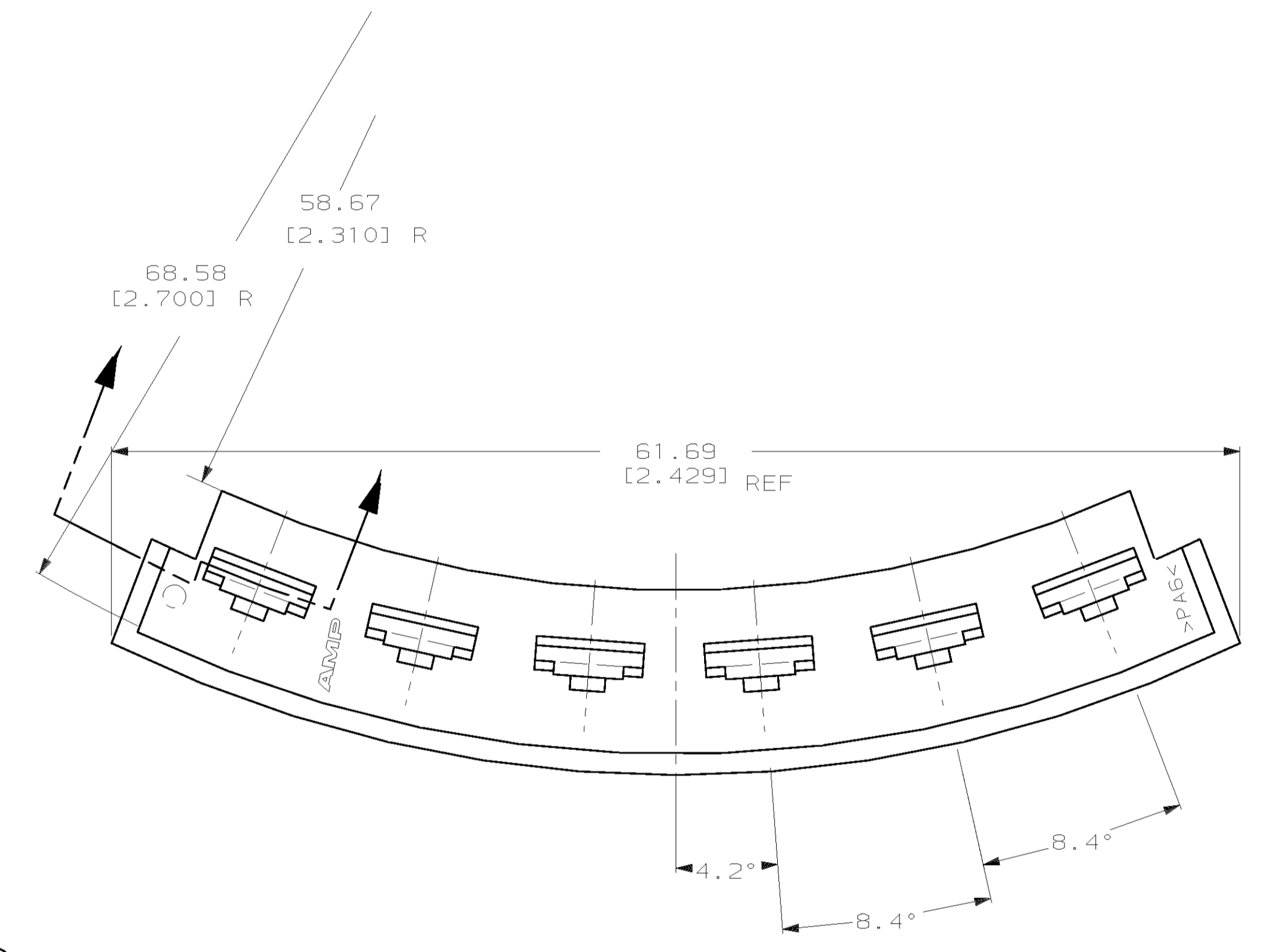
1 USE WITH TERMINAL PART NUMBER: 1217608-1.



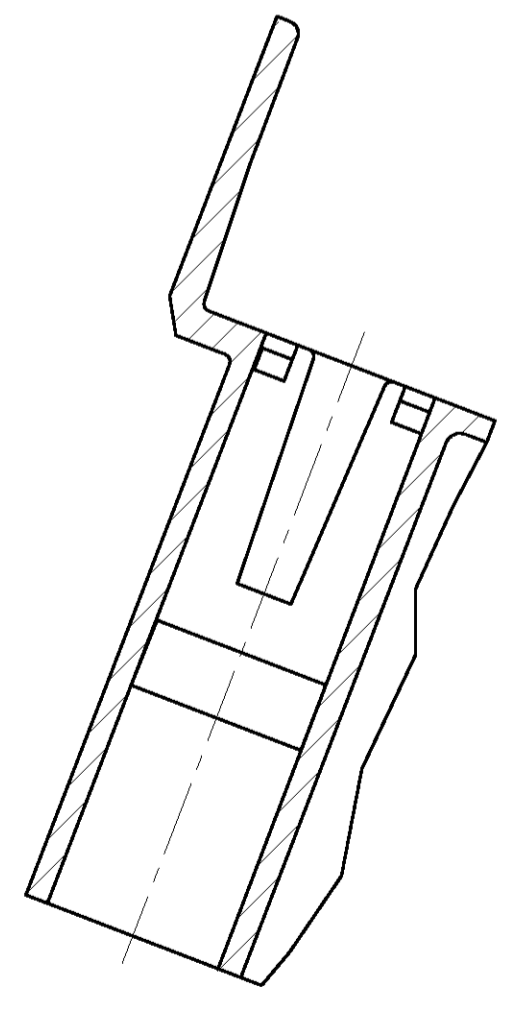
SECTION B-B  
WITH ENTIRE REAR VIEW



SECTION A-A



SECTION C-C



521381-1  
PART NUMBER

THIS DRAWING IS A CONTROLLED DOCUMENT.		DWN MICHAEL S. FEHER 13FEB2001	AMP Incorporated Harrisburg, PA 17105-3608	
DIMENSIONS: mm [INCHES]		CHK KURT A. RANDOLPH 13FEB2001	NAME HOUSING, RECEPTACLE, FASTIN-FASTON™ 6 POSITION, 4.75 [0.187] SERIES	
TOLERANCES UNLESS OTHERWISE SPECIFIED:		APPRO KURT A. RANDOLPH 13FEB2001	PRODUCT SPEC -	
0 PLC	±-	APPLICATION SPEC -		
1 PLC	±-	SIZE A1		
2 PLC	±0.25 [.010]	SCALE CODE DRAWING NO 00779 C-521381		
3 PLC	±-	RESTRICTED TO -		
4 PLC	±-	WEIGHT -		
ANGLES	±-	CUSTOMER DRAWING		
FINISH BLACK		SCALE 4:1 SHEET 1 OF 1 REV G		

单击下面可查看定价，库存，交付和生命周期等信息

[>>TE Connectivity\(泰科\)](#)