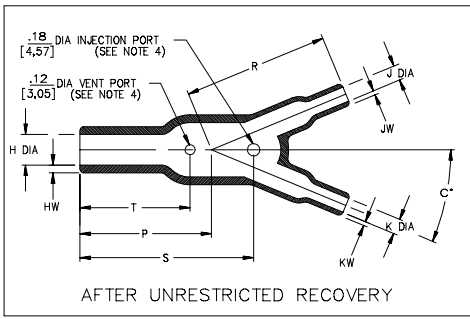
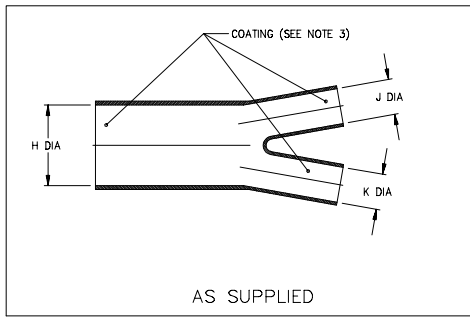


Thermofit Molded Parts
 Specification Control Drawing
 Limited Distribution

Part Number : 382A0XX-25/225
 Description : Transition, Y

NOTES

- All dimensions are in $\frac{\text{inches}}{\text{[millimeters]}}$
- Dimensions appearing in table are as follows:
 a - As Supplied
 b - After Unrestricted Recovery
- Coating is optional. As supplied dimensions appearing in table are for uncoated parts. When coating is added, entry diameters will be reduced by .06 max.
- Molding parts are optional. When -00 modification number is specified molding parts will be located as shown.



| PART NUMBER | H | | J | | K | | P ±10% b | R ±10% b | S ±10% b | T ±10% b | HW ±20% b | JW & KW ±20% b | C ±5% b |
|-------------|----------------|----------------|----------------|---------------|----------------|---------------|----------------|----------------|-----------------|----------------|-----------------|----------------------|---------------|
| | Min a | Max b | Min a | Max b | Min a | Max b | | | | | | | |
| 382A012 | .52 [13,2] | .24 [6,1] | .26 [6,6] | .13 [3,3] | .26 [6,6] | .13 [3,3] | .88 [22,4] | .76 [19,3] | .94 [23,9] | .61 [15,5] | .06 [1,52] | .04 [1,02] | 22 1/2* |
| 382A023 | 1.06 [26,9] | .49 [12,4] | .52 [13,2] | .24 [6,1] | .52 [13,2] | .24 [6,1] | 1.50 [38,1] | 1.70 [43,2] | 2.10 [53,3] | 1.30 [33,0] | .10 [2,54] | .06 [1,52] | 22 1/2* |
| 382A034 | 1.52 [38,6] | .71 [18,0] | 1.06 [26,9] | .49 [12,4] | 1.06 [26,9] | .49 [12,4] | 2.58 [65,5] | 3.10 [78,7] | 3.10 [78,7] | 2.20 [55,9] | .12 [3,05] | .10 [2,54] | 22 1/2* |
| 382A046 | 2.19 [55,6] | 1.02 [25,9] | 1.06 [26,9] | .50 [12,7] | 1.06 [26,9] | .50 [12,7] | 3.35 [85,1] | 3.70 [94,0] | 4.40 [111,8] | 2.80 [71,1] | .18 [4,57] | .10 [2,54] | 22 1/2* |

If this document is printed it becomes uncontrolled.
 Check for the latest revision.

Raychem
 RAYCHEM CORPORATION
 300 CONSTITUTION DRIVE
 MENLO PARK, CALIFORNIA 94025

Revision : A
 Date : 1/6/99

Part Number : 382A0XX-25/225
 Description : Transition, Y

Thermofit Molded Parts
 Specification Control Drawing
 Limited Distribution

Part Number : 382A0XX-25/225
 Description : Transition, Y

| MATERIAL DASH NO. | MATERIAL DESCRIPTION | RT SPEC | COATING SLASH NO. | COATING S NO. | COATING DESCRIPTION |
|-------------------|----------------------------|---------|-------------------|---------------|---------------------|
| -25 | Elastomer, Fluid Resistant | RT-1325 | /225 | S-1206 | Adhesive |
| | | | | | |
| | | | | | |
| | | | | | |
| | | | | | |

ORDERING INFORMATION

382A0XX -25 -XX /225

Base part number _____

Material dash number _____
 (See Compatability Chart)

Modification number _____
 (If necessary, see front of scd binder for a complete list)

Adhesive slash number _____
 (If necessary, see Compatability Chart)

THIS DRAWING IS SUBJECT TO CHANGE WITHOUT NOTICE; CONSULT YOUR
 NEAREST FIELD REPRESENTATIVE FOR CURRENT REVISION

Raychem
 RAYCHEM CORPORATION
 300 CONSTITUTION DRIVE
 MENLO PARK, CALIFORNIA 94025

Revision : A
 Date : 1/6/99

Part Number : 382A0XX-25/225
 Description : Transition, Y

单击下面可查看定价，库存，交付和生命周期等信息

[>>TE Connectivity\(泰科\)](#)