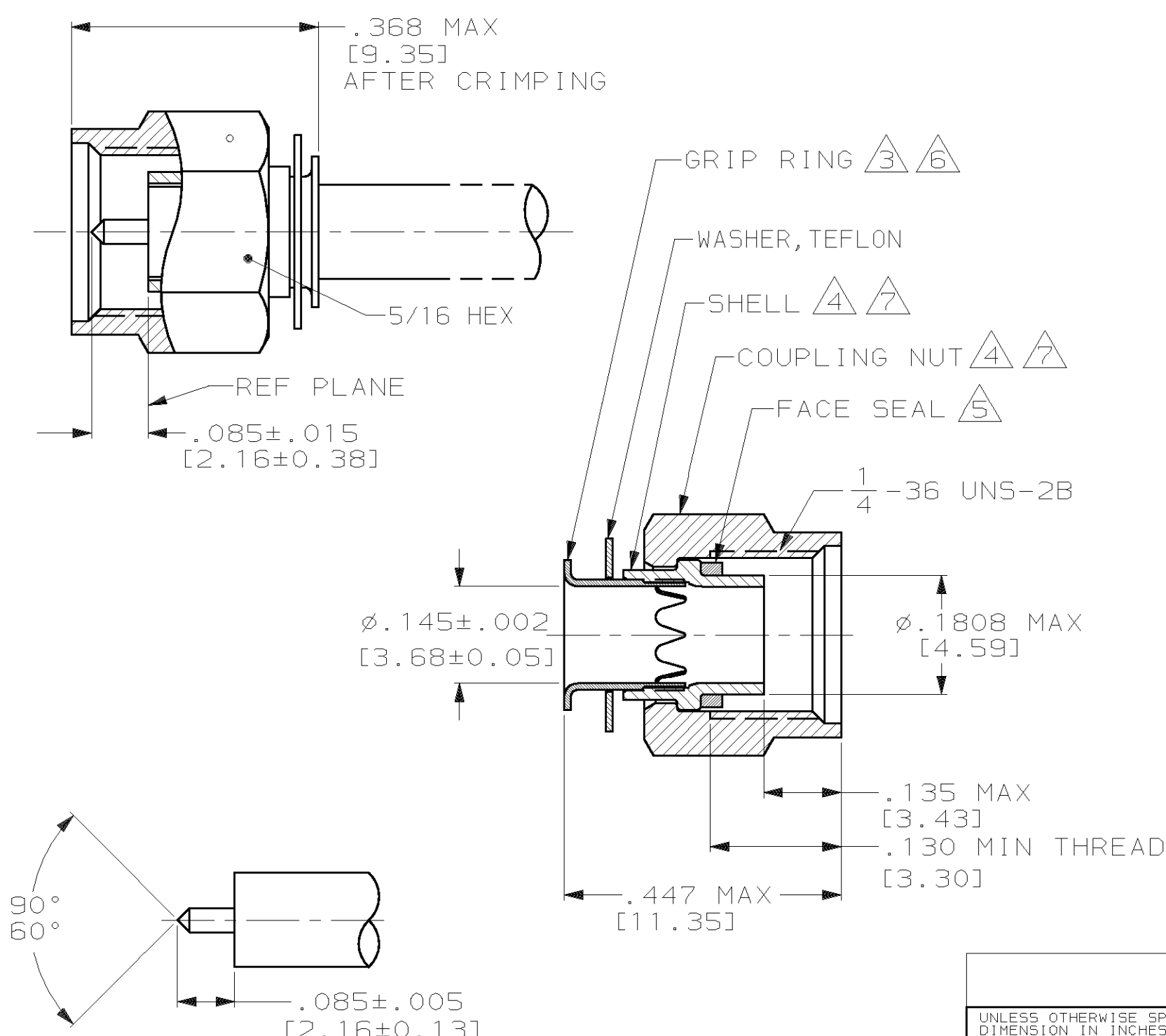


THIS DRAWING IS UNPUBLISHED. RELEASED FOR PUBLICATION, 19  
 © COPYRIGHT 19 BY AMP INCORPORATED, HARRISBURG, PA. ALL INTERNATIONAL RIGHTS RESERVED. AMP PRODUCTS MAY BE COVERED BY U.S. AND FOREIGN PATENTS AND/OR PATENTS PENDING.

| LOC | DIST | P | F | ZONE | LTR | DESCRIPTION                 | DATE    | APPROVED |
|-----|------|---|---|------|-----|-----------------------------|---------|----------|
| AJ  | 16   |   |   |      | D   | REACTIVATE PER 0U20-0435-00 | 22AUG00 | MO       |



- FOR USE WITH RG-402/U, .141 SEMI-RIGID CABLE.
- SEE I.5. 6788.
- BRASS PER ASTM-B-36.
- STAINLESS STEEL PER ASTM-A-582
- SILICONE RUBBER PER ZZ-R-765.
- NICKEL PLATE PER QQ-N-290.
- PASSIVATION PER ASTM A967.
- MARKING: 00779 M39012/92B3101
- .500 MIN LENGTH OF STRAIGHT CABLE REQUIRED TO APPLY THE CONNECTOR.
- THIS PART PACKAGED 50 PCS PER BAG.
- PART NO 228635-1 IS IDENTICAL AND ACCEPTABLE ALTERNATE FOR PART NO 1-227531-3.

1-227531-3  
PART NO

|   |  |          |              |                  |                         |   |            |
|---|--|----------|--------------|------------------|-------------------------|---|------------|
| UNLESS OTHERWISE SPECIFIED DIMENSION IN INCHES [mm]   |  | DR       | C.C. THOMAS  | 7-26-93          | AMP                     | AMP INCORPORATED<br>Harrisburg, Pa. 17105 |            |
| TOLERANCES ON:  |  | CHK      | J. CABARLO   | 7-29-93          |                         | NAME                                      |            |
| 2 PL DEC ± _____  |  | APPD     | J. CABARLO   | 7-29-93          | PLUG, MIL-B, SERIES SMA |   |            |
| 3 PL DEC ± _____  |  | APPD     | C.C. THOMAS  | 7-29-93          | SIZE                    | FSCM NO                                   | DRAWING NO |
| ANGLES ± _____  |  | MATERIAL | (3) THRU (5) | PRODUCT SPEC     | B                       | 00779                                     | 1-227531-3 |
| FINISH  |  | (6) (7)  |              | APPLICATION SPEC | SCALE                   | 5:1                                       | SHEET      |
| THIS DRAWING IS A CONTROLLED DOCUMENT FOR AMP INCORPORATED. IT IS SUBJECT TO CHANGE AND THE CONTROLLING ENGINEERING ORGANIZATION SHOULD BE CONTACTED FOR THE LATEST REVISION. |  | WEIGHT   | .063 OZ      |                  | 1 OF 1                  |   |            |

单击下面可查看定价，库存，交付和生命周期等信息

[>>TE Connectivity\(泰科\)](#)