

THIS DRAWING IS UNPUBLISHED.

RELEASED FOR PUBLICATION

2006

© COPYRIGHT 2006

ALL RIGHTS RESERVED.

LOC	DIST	REVISIONS					
		P	LTR	DESCRIPTION	DATE	DWN	APVD
A1	-		C	-3 hinzu	19FEB2002	-	Lau.
			D	NEW CAVITY DETAIL ADDED	29AUG2006	Haas	Goep.
			D1	ECR-10-026307	17JUN2011	KK	HMR

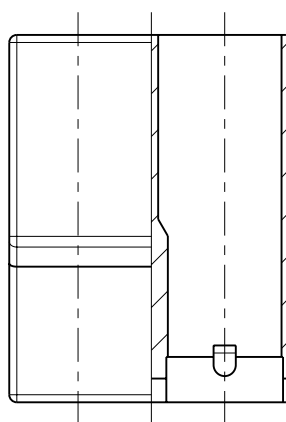
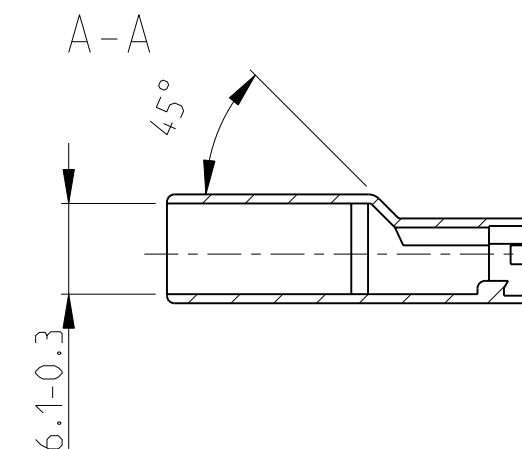
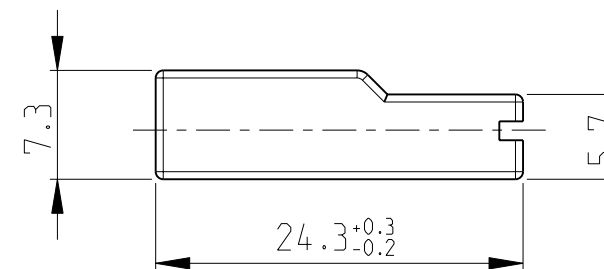
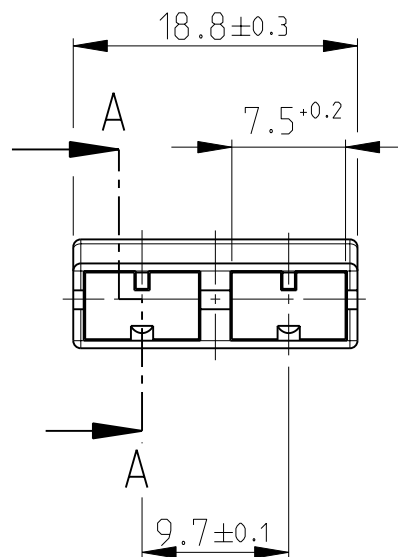
war 80-9407 was

FORD 82GB-13480-AA Nummer des Schalters
number of the switch

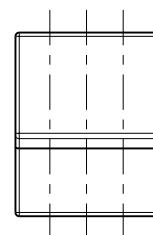
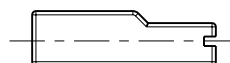
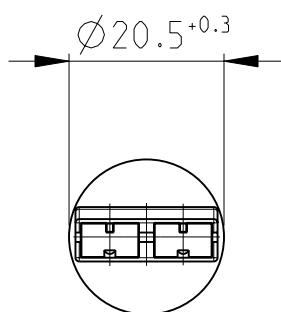
FORD 82 GG 14488 NA

Bemerkungen:
notes:

△ 1 - FOR FORD ONLY



Maßstab: 1:1
scale




für Flachstecker: SL 100.56 Form B
for tab:

Gehäusematerial gemäß: FORD SPEC SKM-4D 9585-A/B
housing material to:

passend zu Zeichnung: 94BG-14474-ZAA
fitting with drawing:

OBSOLETE	926 716-3	PA 6.6	BLACK
	926 716-2 △ 1	PA 6.6	NATURAL
	926 716-1 △ 1	PA 6.6	BLACK
	PART NO	MATERIAL	COLOR

THIS DRAWING IS A CONTROLLED DOCUMENT.		DWN	W.E.Mukohl	13JUN1980	 TE Connectivity		
DIMENSIONS: mm		CHK	Wendling	-			
TOLERANCES UNLESS OTHERWISE SPECIFIED:		APVD	Bleicher, M.	01SEP2006	NAME		
0 PLC ±0.2 1 PLC ± 2 PLC ± 3 PLC ± 4 PLC ± ANGLES ±1°30'		PRODUCT SPEC	2POS. POSITIVE LOCK HOUSING			RESTRICTED TO	
MATERIAL -		FINISH -	APPLICATION SPEC -		SIZE	CAGE CODE	DRAWING NO
		WEIGHT	1.08g	A3	00779	©=926716	
CUSTOMER DRAWING				SCALE	2:1	SHEET	1 OF 1
				REV	D1		

单击下面可查看定价，库存，交付和生命周期等信息

[>>TE Connectivity\(泰科\)](#)