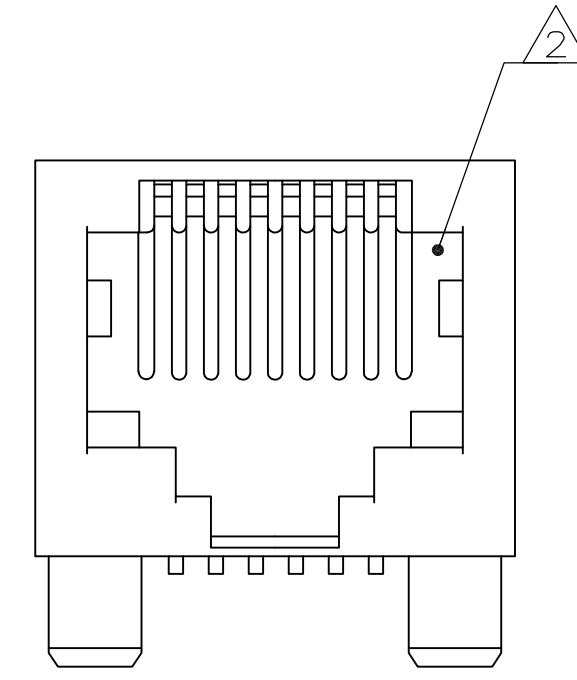
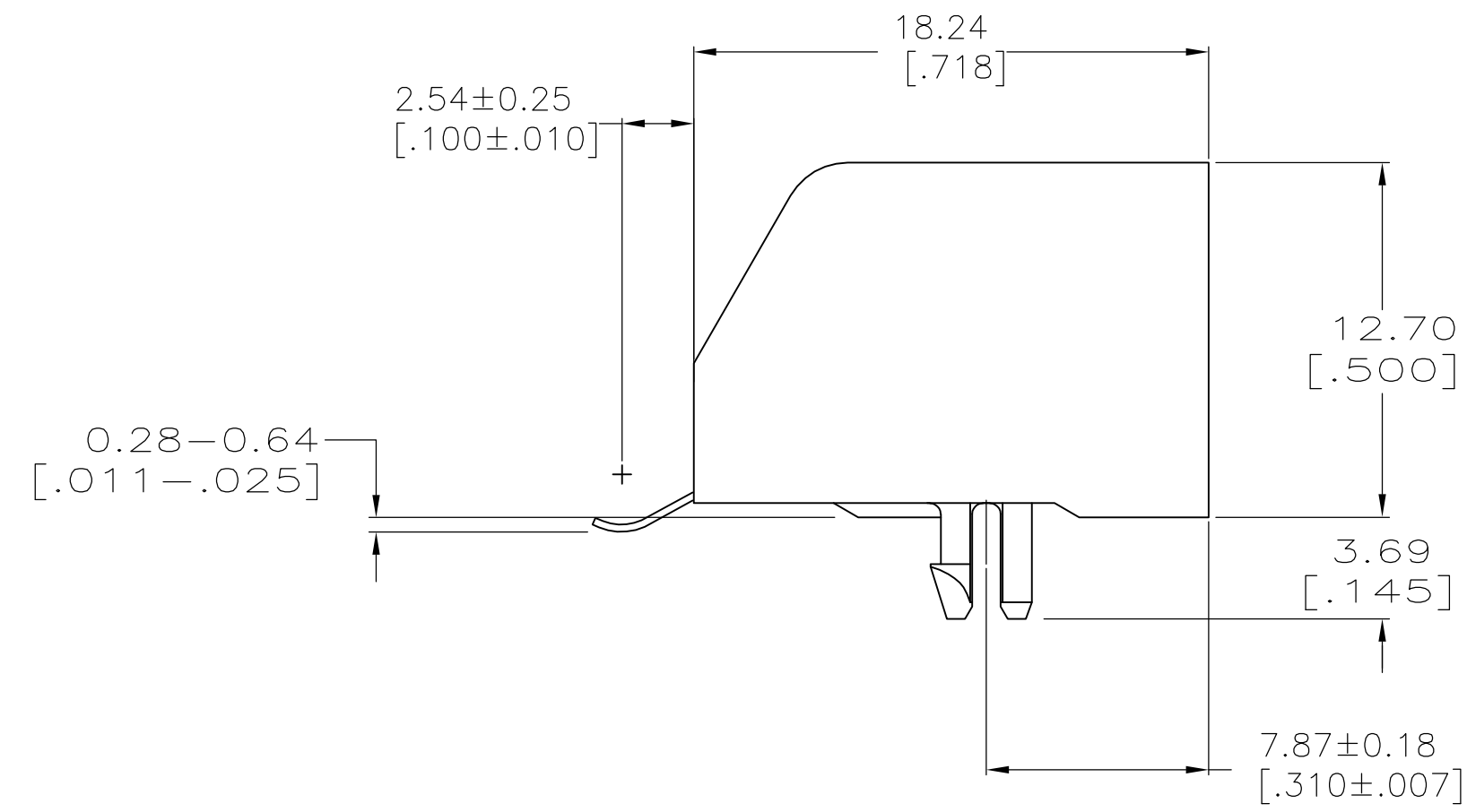


LOC	DIST	REVISIONS					
AA	00	P	LTR	DESCRIPTION	DATE	DWN	APPD
		C1		REVISED PER ECO-11-005033	23MAR11	RK	HMR



- MATERIAL: HOUSING - HTN MOLDING COMPOUND, 94 VO, COLOR: BLACK.
TERMINAL - 0.36 [.014] THICK PHOS-BRONZE PLATE WITH 1.27µm [.000050] MINIMUM THICK HARD GOLD IN LOCALIZED GOLD PLATE AREA AND 3.81µm [.000150] MINIMUM THICK MATTE TIN IN SOLDER AREA OVER 1.27µm [.000050] MINIMUM THICK NICKEL UNDERPLATE.

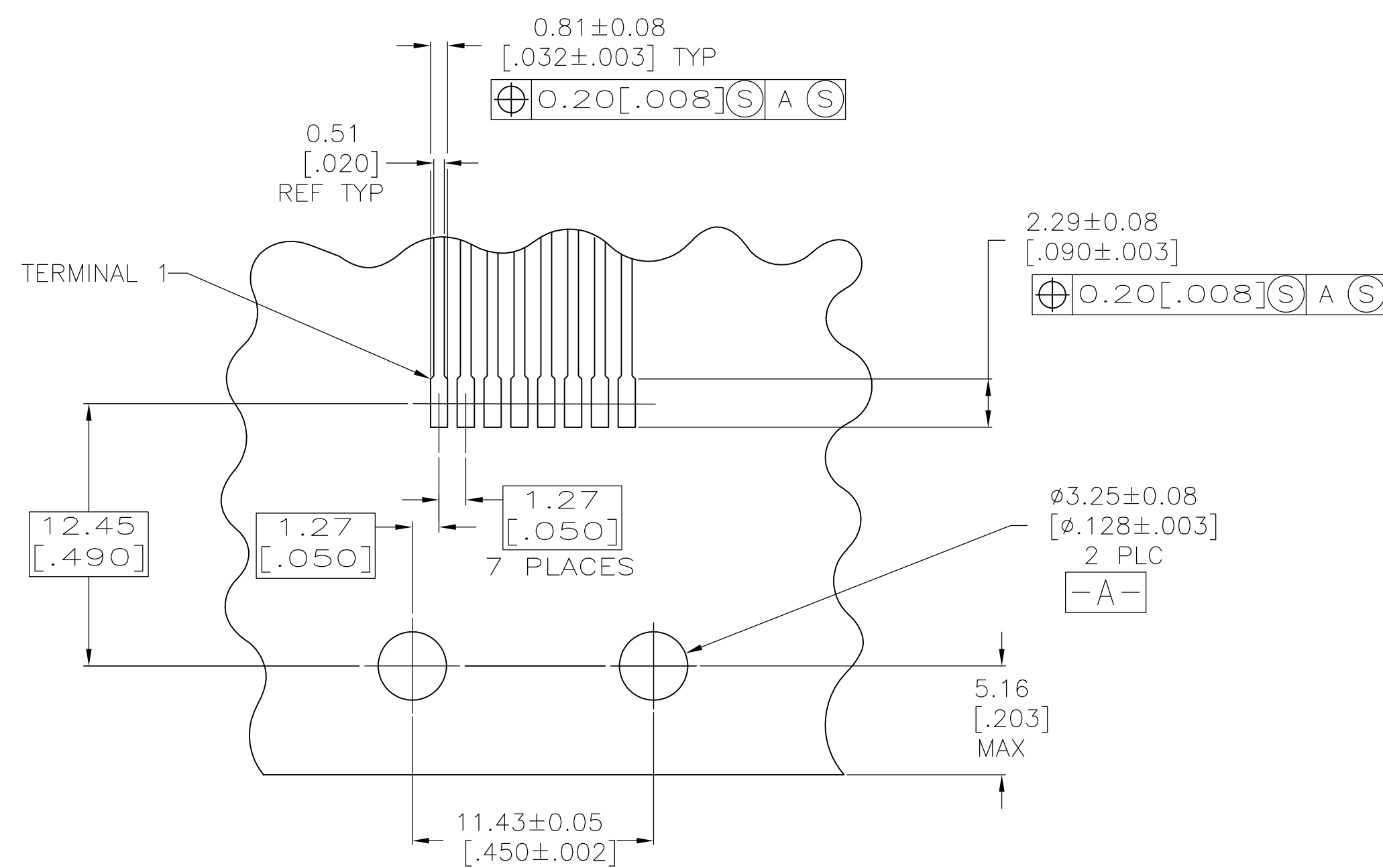
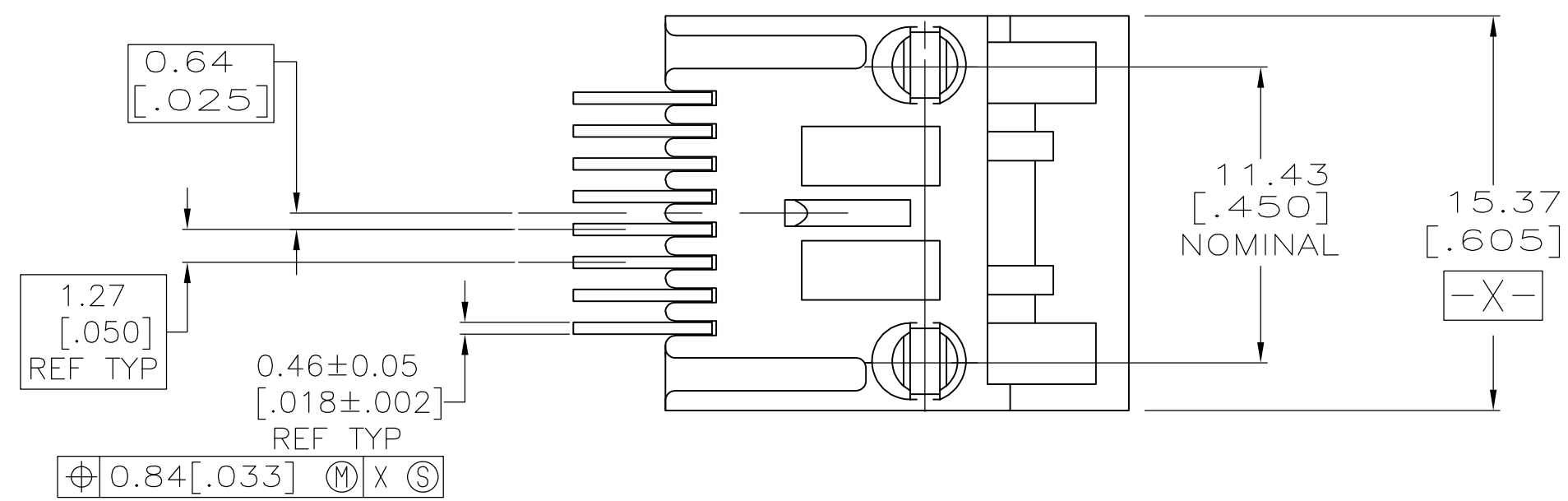
△ CAVITY CONFORMS TO FCC RULES AND REGULATIONS, PART 68, SUBPART F.

- ALL DIMENSIONS SHOWN ARE MAXIMUM UNLESS OTHERWISE SPECIFIED AND ARE PRIOR TO SURFACE MOUNT PROCESSING.

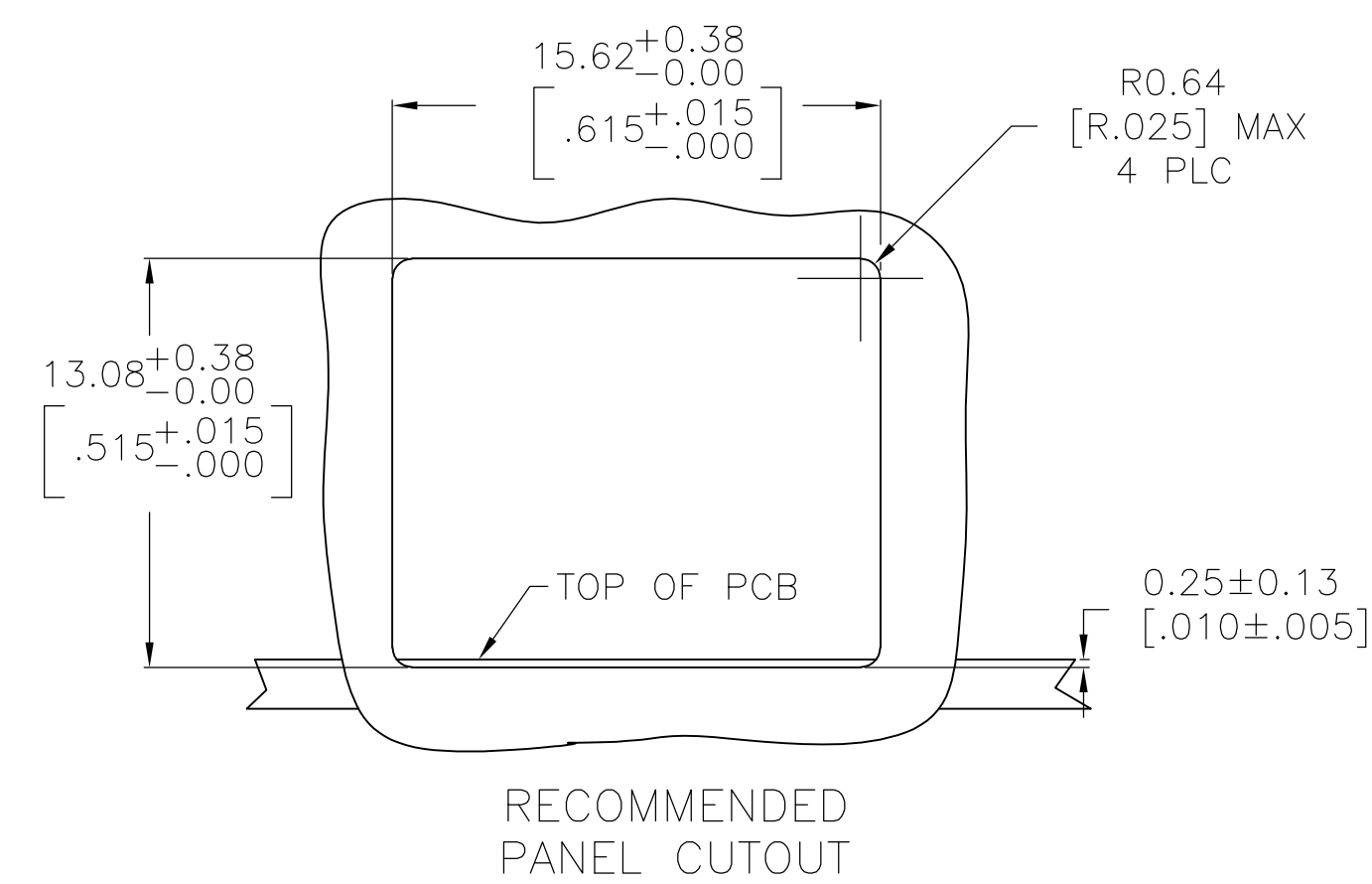
- SNAP-IN RETENTION FEATURE ACCOMMODATES 1.45-1.70 [.062±.005] THICK PRINTED CIRCUIT BOARD.

△ ASSEMBLIES ARE PACKAGED 36 IN A TUBE.

△ ASSEMBLIES ARE PACKAGED IN TRAYS.



RECOMMENDED PRINTED CIRCUIT BOARD LAYOUT
COMPONENT SIDE



RECOMMENDED
PANEL CUTOUT

△ 5	5555764-3
△ 6	5555764-1
PACKAGED	PART NO

THIS DRAWING IS A CONTROLLED DOCUMENT.		DWN G. ATTADIA - DOCKS 09JUN2005	NAME	MODULAR JACK ASSEMBLY, 8 POSITION, LOW PROFILE, RIGHT ANGLE, SURFACE MOUNT	
DIMENSIONS: mm(INCHES)		CHK J. WESTMAN 09JUN2005	PRODUCT SPEC	108-1163	
TOLERANCES UNLESS OTHERWISE SPECIFIED:		APVD S. FLICKINGER 09JUN2005	APPLICATION SPEC	114-6040	
0 PLC ± -	1 PLC ± -	2 PLC ± -	3 PLC ± -	4 PLC ± -	ANGLES ± -
MATERIAL SEE NOTE 1	FINISH SEE NOTE 1	WEIGHT -	SCALE 4:1	SHEET 1 OF 1	REV C1
CUSTOMER DRAWING			RESTRICTED TO		

单击下面可查看定价，库存，交付和生命周期等信息

[>>TE Connectivity\(泰科\)](#)