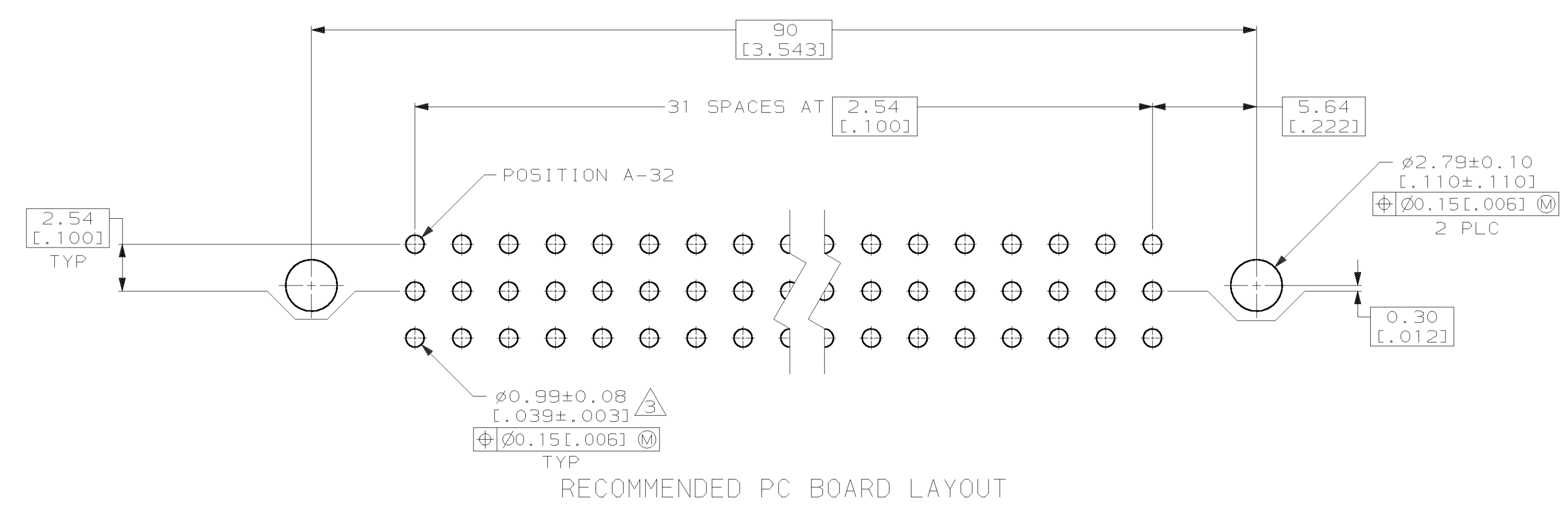
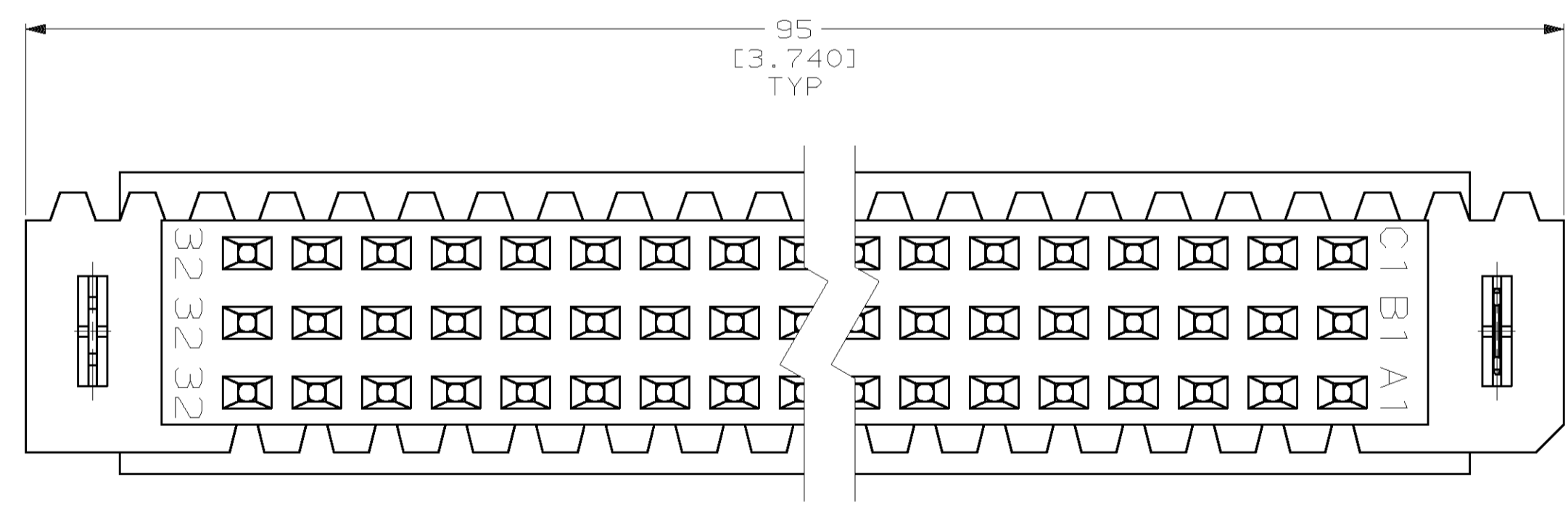
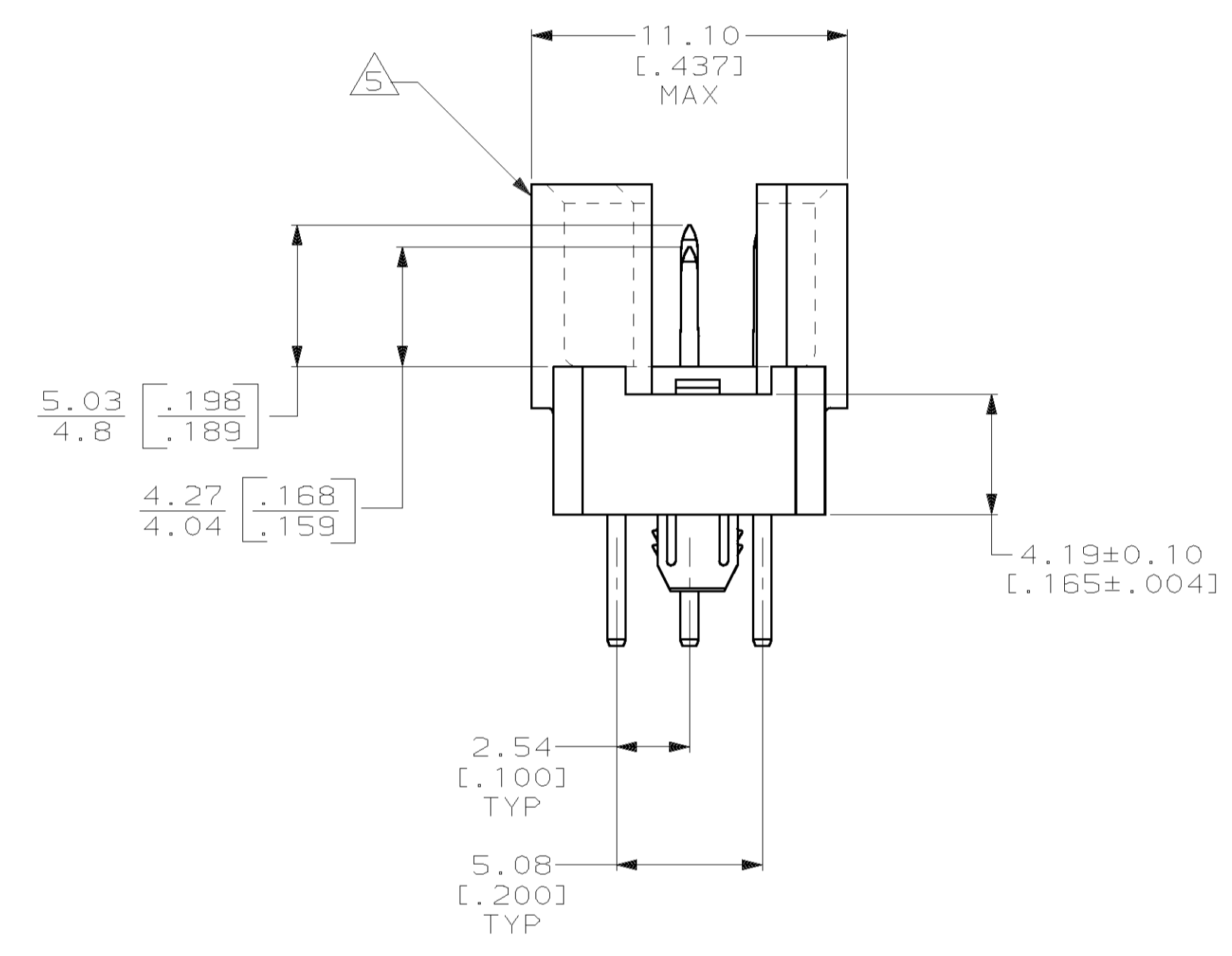
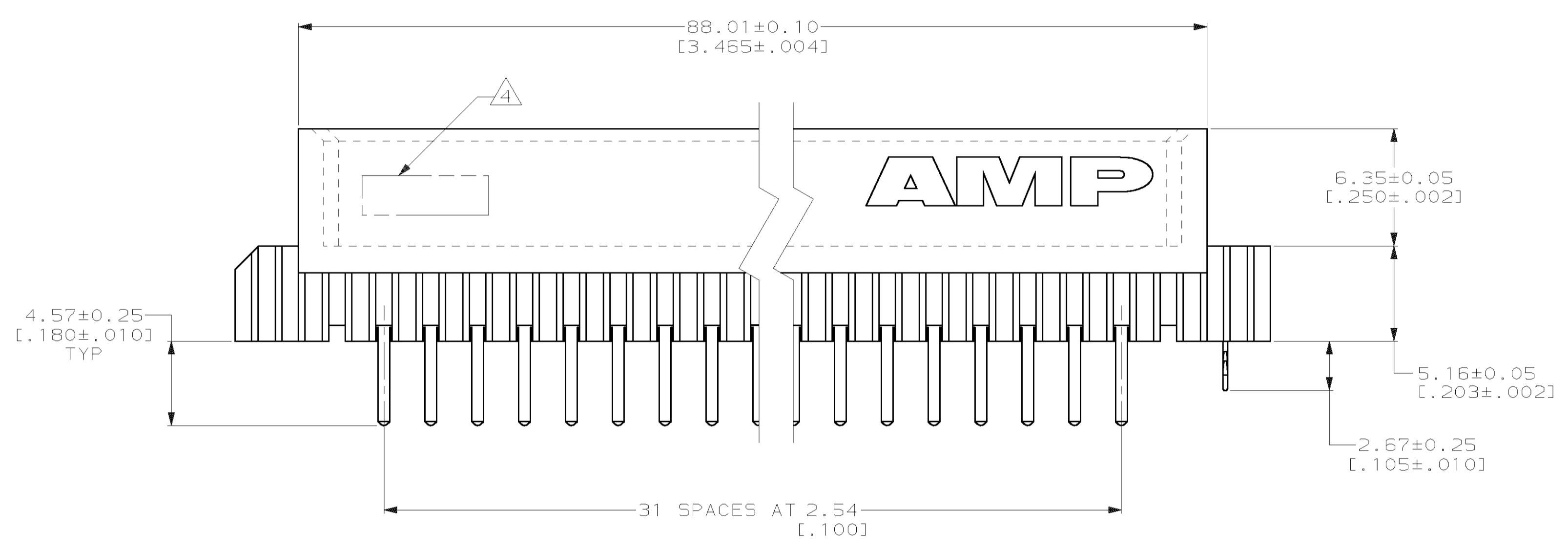


- ① HOUSING: GLASS-FILLED POLYESTER, GRAY.
POST: BRASS.
BOARDLOCK: BERYLLIUM COPPPER.
- ② POST: DIN 41612 CLASS 2 IN CONTACT AREA, TIN-LEAD PLATE ON POSTS.
BOARDLOCK: 3.81µm[.000150] MIN TIN-LEAD ALL OVER 1.27µm[.000050] MIN NICKEL.
- ③ RECOMMENDED HOLE SIZE FOR MANUAL APPLICATION OF CONNECTOR ONTO PC BOARD.
- ④ [PART NUMBER, DATE CODE] MARKED THIS APPROXIMATE AREA.
- ⑤ MARKING ON THIS SIDE.



1, 32	2-31	C	32	148537-1
1, 32	2-31	B	32	
1, 32	2-31	A	32	
POSITIONS LOADED WITH 4.93[.194] CONTACTS	POSITIONS LOADED WITH 4.16[.164] CONTACTS	ROWS	NO OF LOADED POSITION	PART NUMBER

THIS DRAWING IS A CONTROLLED DOCUMENT.

DIMENSIONS: mm (INCHES)	TOLERANCES UNLESS OTHERWISE SPECIFIED:	DWN B. CARBO 08 JUN 99	AMP Incorporated Harrisburg, PA 17105-3608
0 PLC ±-	1 PLC ±-	CHK C. RICHARD 08 JUN 99	NAME: PIN ASSEMBLY, EUROCARD, TYPE "R" WITH MFBL CONTACTS AND BOARDLOCK
2 PLC ±0.13 (.005)	3 PLC ±-	APVD C. RICHARD 08 JUN 99	
MATERIAL	FINISH	PRODUCT SPEC	SIZE CASE CODE DRAWING NO RESTRICTED TO
		APPLICATION SPEC	A1 00779 148537
		WEIGHT	CUSTOMER DRAWING SCALE 5:1 SHEET 1 OF 1 REV 0

单击下面可查看定价，库存，交付和生命周期等信息

[>>TE Connectivity\(泰科\)](#)