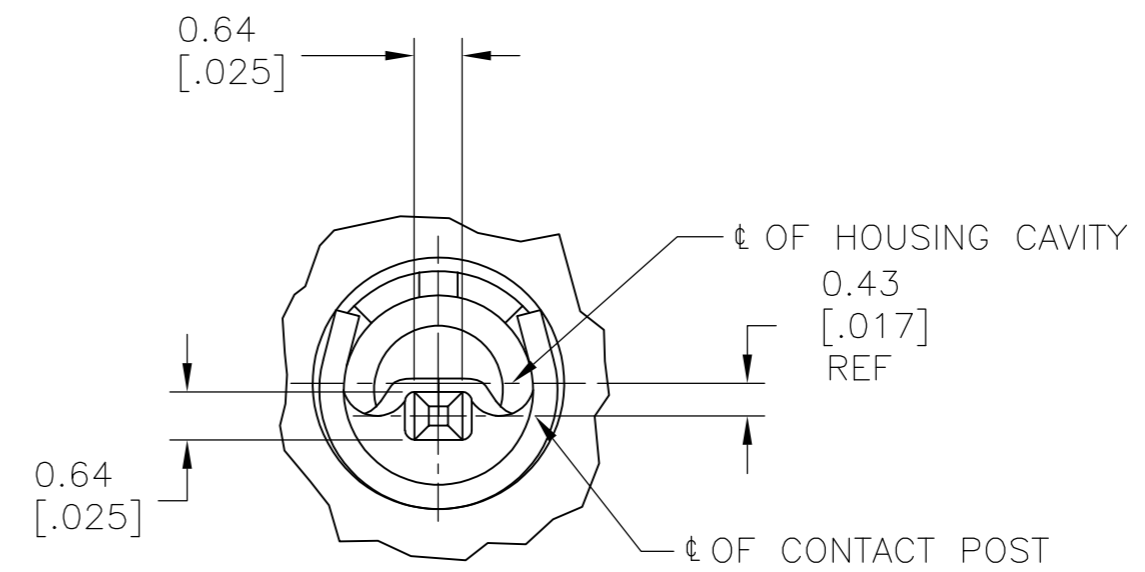
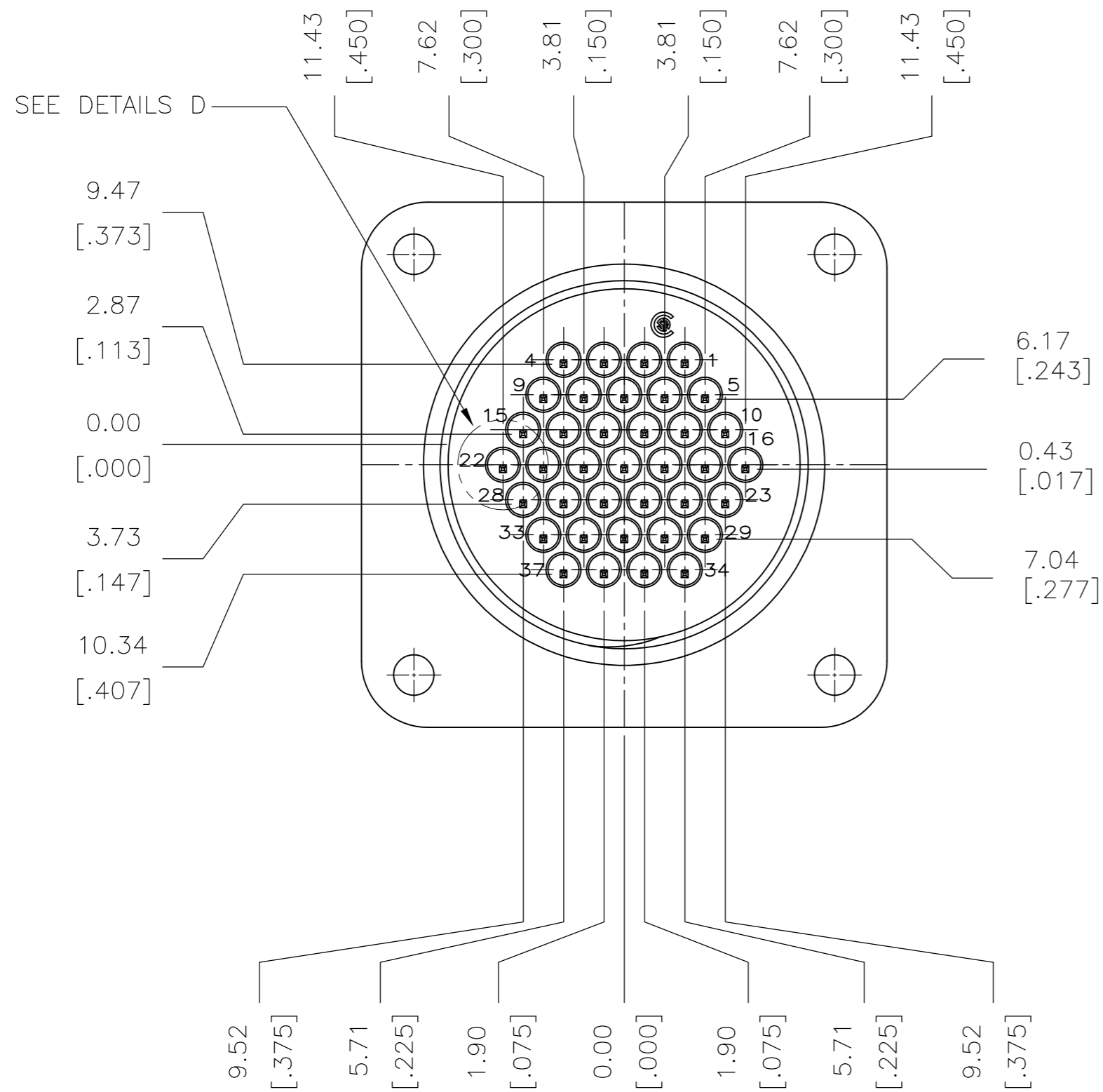


THIS DRAWING IS UNPUBLISHED. RELEASED FOR PUBLICATION
 © COPYRIGHT - By - ALL RIGHTS RESERVED.

LOC	DIST	REVISIONS			
P	LTR	DESCRIPTION	DATE	DWN	APVD
BD	35	SEE SHEET 1	-	-	-



THIS DRAWING IS A CONTROLLED DOCUMENT.		DWN 07JUN2014 NAGALAKSHMI K	STE TE Connectivity		
DIMENSIONS: mm [INCHES]		CHK 07JUN2014 ZITTO, MARK			
TOLERANCES UNLESS OTHERWISE SPECIFIED:		APVD 07JUN2014 ZITTO, MARK	NAME POSTED RECEPTACLE ASSEMBLY, REV SEX, SERIES 1, 28-37, CMC		
0 PLC ± - 1 PLC ± - 2 PLC ± 0.13[.005] 3 PLC ± - 4 PLC ± - ANGLES ± -		PRODUCT SPEC 108-10040	SIZE A2	CAGE CODE 00779	DRAWING NO C=2267124
MATERIAL -		FINISH -	WEIGHT -	SCALE 2:1	SHEET 2 OF 2
CUSTOMER DRAWING			RESTRICTED TO -	REV A	

2267124

单击下面可查看定价，库存，交付和生命周期等信息

[>>TE Connectivity\(泰科\)](#)