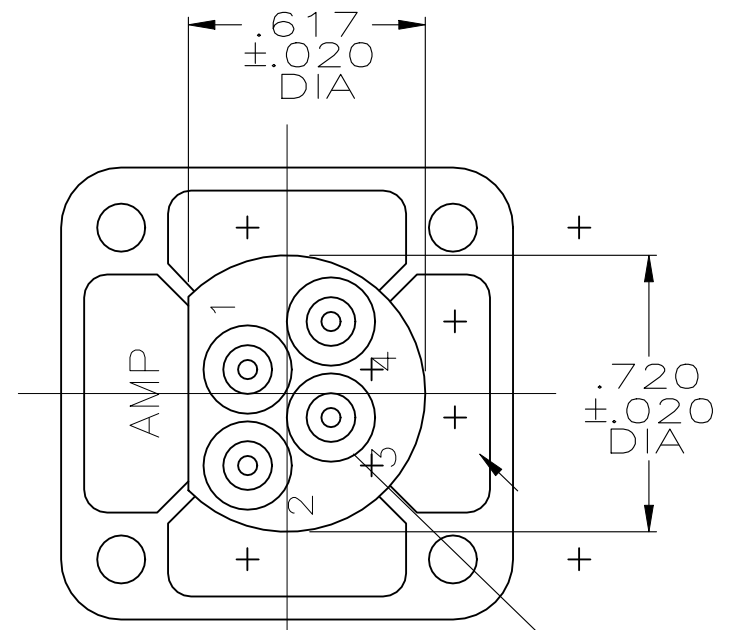
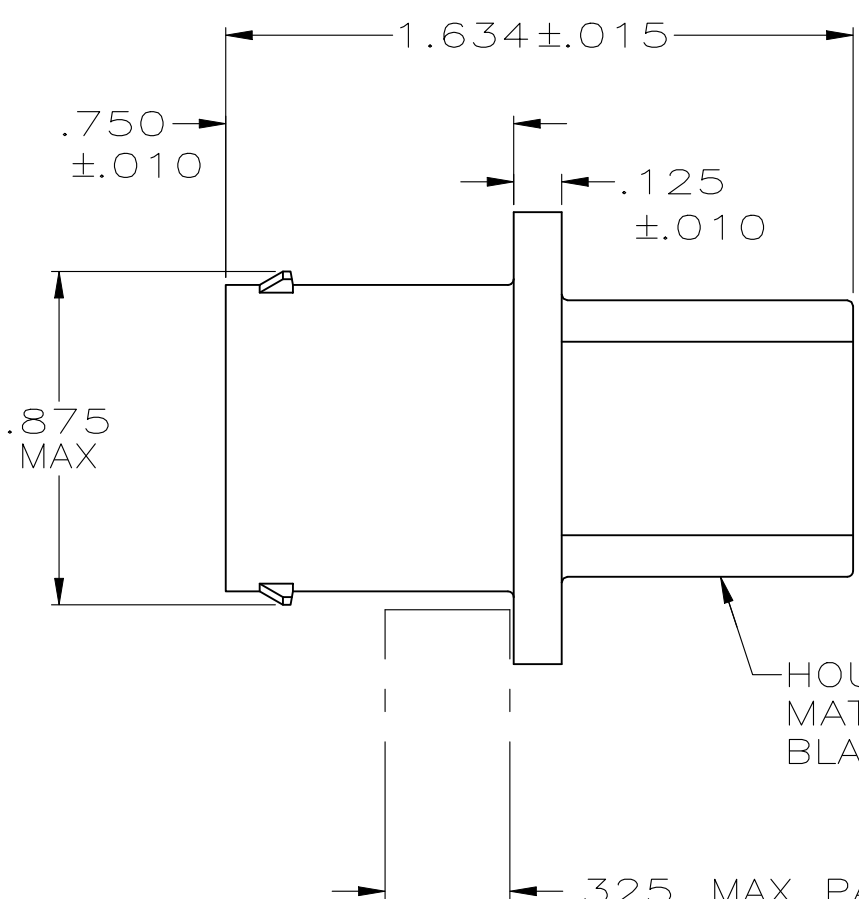
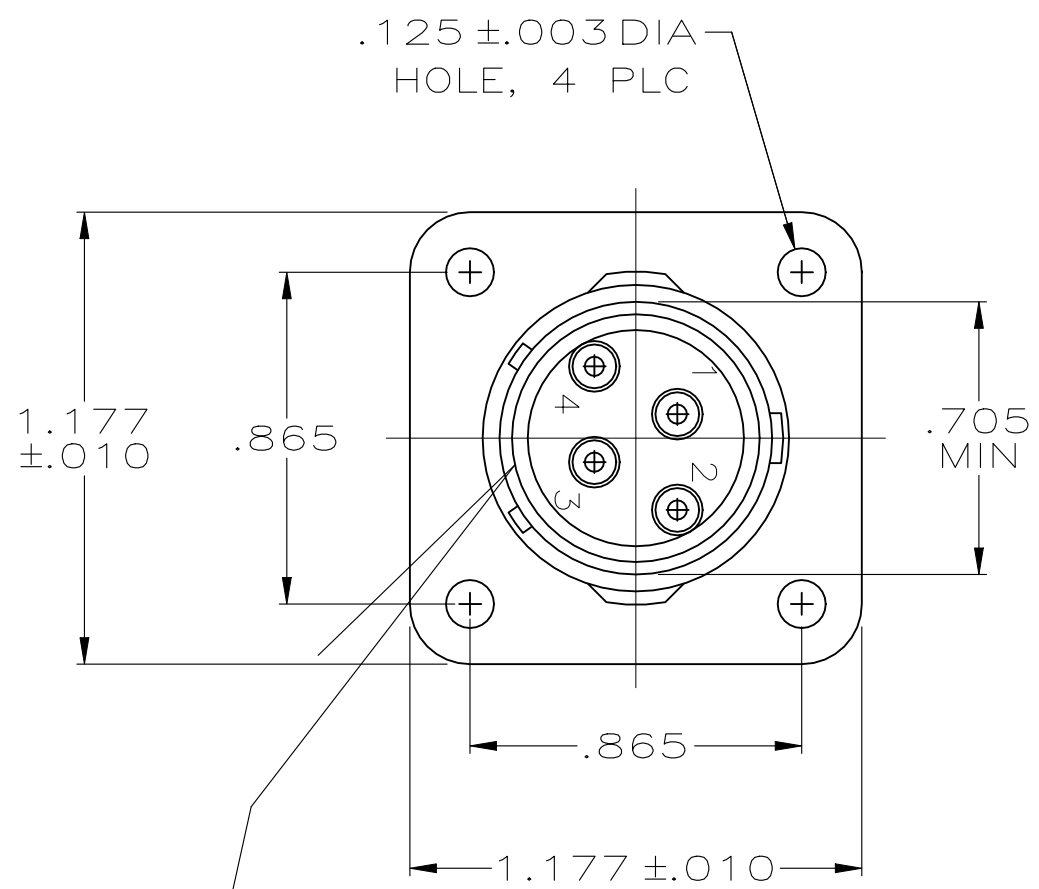
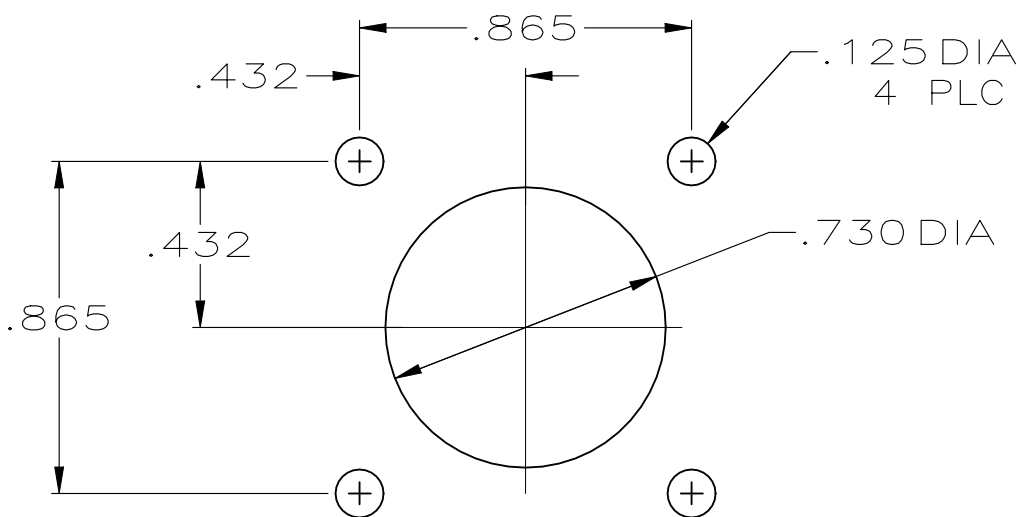


REVISIONS				
P	LTR	DESCRIPTION	DATE	APVD
	H	PCN E-20-018081	10MAR2021	SCK



PERIPHERAL SEAL
MATERIAL: ELASTOMER
BLACK



RECOMMENDED
PANEL CUTOUT

1. WIRE INSULATION SEALING RANGE .070-.130 DIA.
2. THIN MEMBRANE PERMISSIBLE ON SMALL DIAMETER OF WIRE SEALS.

207808-1
PART NUMBER

THIS DRAWING IS A CONTROLLED DOCUMENT.		DWN J GALLUCCI BG 8-21-90	STE TE Connectivity	
DIMENSIONS: INCHES		CHK -		
TOLERANCES UNLESS OTHERWISE SPECIFIED:		APVD -	ECONOSEAL, SQUARE FLANGE RECEPTACLE, SHELL SIZE 12, 4 POSITION, PIN CONTACTS	
0 PLC ± -		PRODUCT SPEC -	APPLICATION SPEC -	RESTRICTED TO -
1 PLC ± -		SIZE CAGE CODE DRAWING NO		
2 PLC ± -		A3 00779 C-207808		
3 PLC ± .005		SCALE 2:1 SHEET 1 OF 1 REV H		
4 PLC ± -		CUSTOMER DRAWING		
ANGLES ± -				
FINISH -				
MATERIAL SEE CALLOUT				

单击下面可查看定价，库存，交付和生命周期等信息

[>>TE Connectivity\(泰科\)](#)