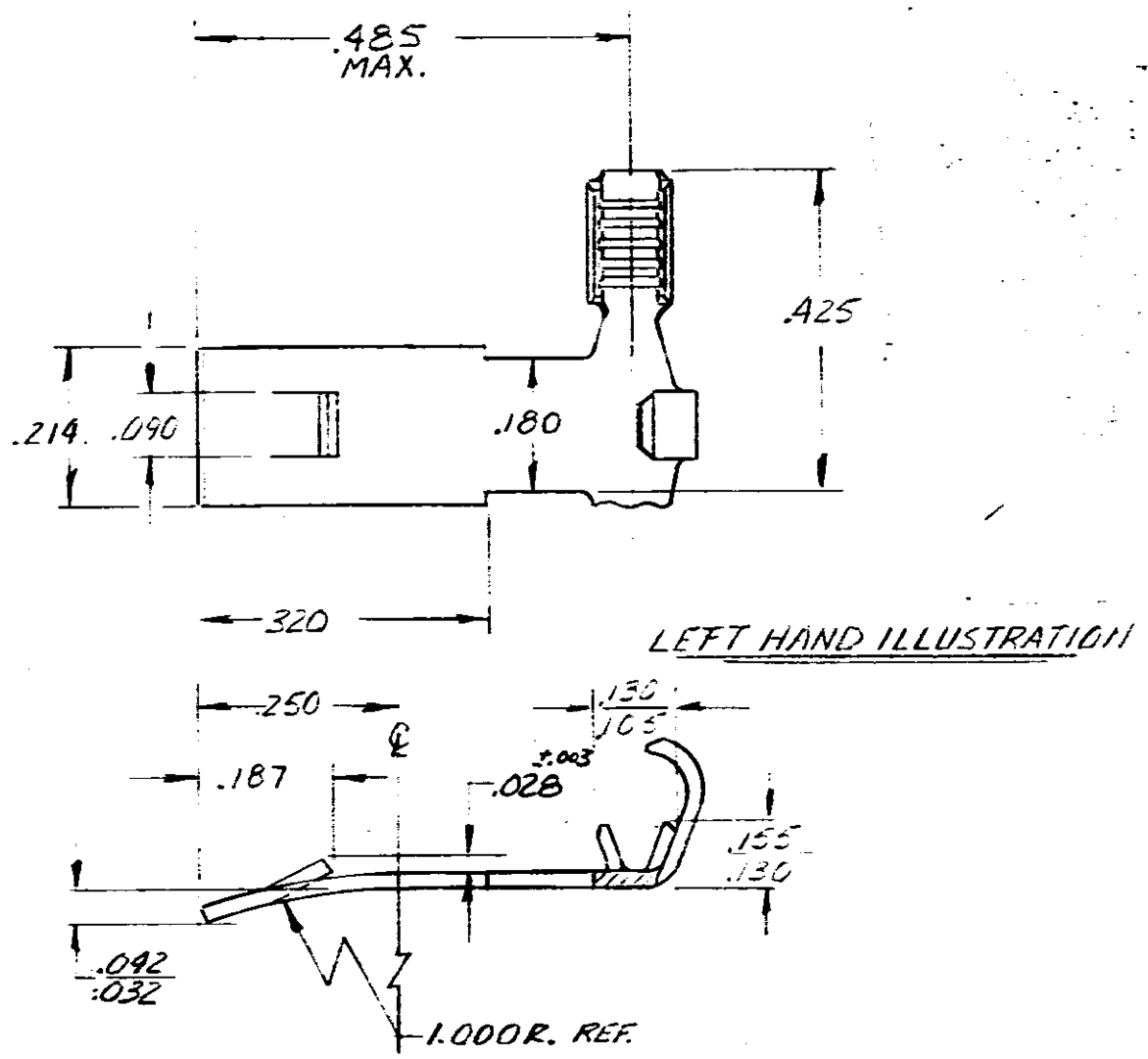


NUMBER
61148



WIRE SIZE CMA.	INSULATION RANGE	MATERIAL AND FINISH	TERMINAL NO
700-2400	.095-.115	.018 PHOS. BRONZE - NONE	61148-1
		.018 PHOS. BRONZE - FIN	61148-2

CONTINUES STRIP ON REELS

DIMENSIONS IN INCHES. DO NOT SCALE PRINT.

REV	DESCRIPTION	BY	DATE
J	OBsolete - 2 M-1640	MF	4-1-67
H	RELEASED P.A.K	RLT	6-1-67
G	REMOVED STOCK A-3587	6Y46	7-1-67
F	REVISED PER 2478	BB	ONE 8-7-67
E	REVISED PER 2431	BB	J.C.S 5-29-67
D	REVISED PRINT DIST.	BB	8-4-67
C	REVERSED CH.S.H NPS.	ETMP	8-1-67
B	REVISED PLATING	ETMP	8-1-67
A	ADDED .042 .032	ETMP	8-1-67
C	RELEASED	ETMP	8-1-67

© 1967 BY AMP INCORPORATED. ALL RIGHTS RESERVED. AMP PRODUCTS COVERED BY PATENTS AND/OR PATENTS PENDING.

CUSTOMER COPY
REFERENCE ONLY

MATERIAL AND FINISH
— — — — —

WIRE — RANGE — INSULATION
— — — — —

TOLERANCE EXCEPT AS NOTED
± .015 ± 1°

AMP AMP INCORPORATED
HARRISBURG, PENNA.

CLASS — — — — —

TYPE — — — — —

APPROVED	REVISION RECORD	DR	CHK	DATE	LOC	NO	REV
DR EM FORTONAWAGE	1-26-67	DR	CHK	DATE	AF	A 61148	J
CHK L. J. Ruff	1-31-67	DR	CHK	DATE	NAME AMP HAD BRUSH CONTACT		

单击下面可查看定价，库存，交付和生命周期等信息

[>>TE Connectivity\(泰科\)](#)