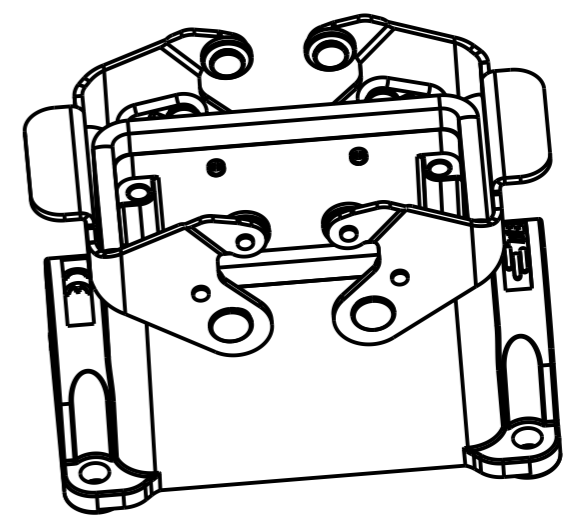
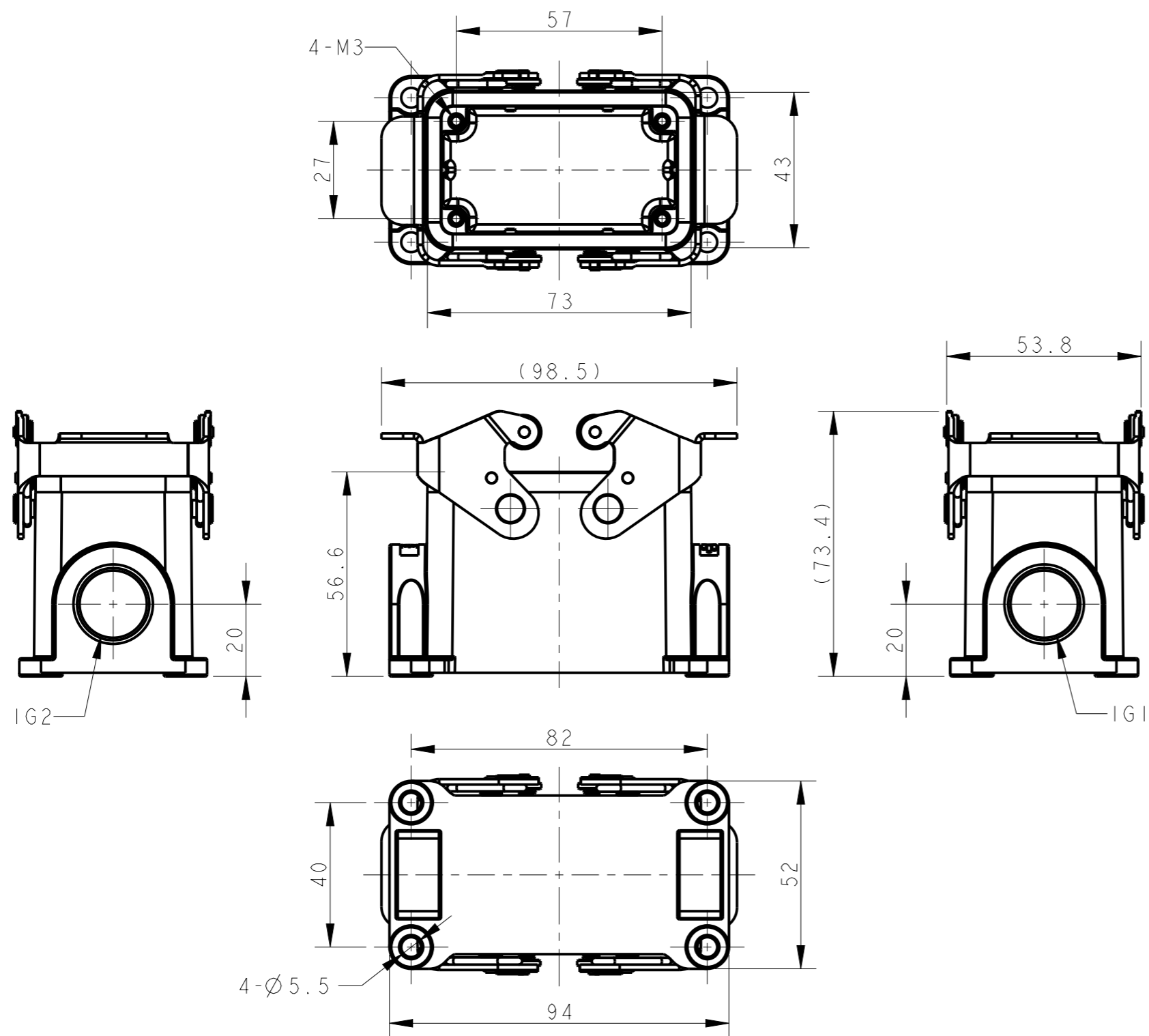


THIS DRAWING IS UNPUBLISHED. RELEASED FOR PUBLICATION 20
 © COPYRIGHT 20 BY - ALL RIGHTS RESERVED.

REVISIONS					
P	LTR	DESCRIPTION	DATE	DWN	APVD
	A	INITIAL RELEASE	25JUN2015	DL	CW
	B	ECR-20-008181	07JUL2020	WQR	CW



NOTES:
 1. TECHNICAL CHARACTERISTICS:
 BODY MATERIAL: DIE CAST ALUMINIUM ALLOY
 SURFACE TREATMENT: POWDER-COATED, GRAY
 DEGREE OF PROTECTION: IP65 (MATED)

注释:
 1. 技术参数:
 主体材料: 铝合金
 表面处理: 粉末喷涂, 灰色
 防护等级: IP65(配合)

TYPE I: BODY + DOUBLE STAINLESS STEEL LOCKING

TI440101116-000	TYPE I	H10B-SGRS-PG16	PG16	-
TI440101120-000		H10B-SGRS-M20	M20	-
TI440101121-000		H10B-SGRS-PG21	PG21	-
TI440101125-000		H10B-SGRS-M25	M25	-
TI440101216-000		H10B-SGRS-2PG16	PG16	PG16
TI440101220-000		H10B-SGRS-2M20	M20	M20
TI440101221-000		H10B-SGRS-2PG21	PG21	PG21
TI440101225-000		H10B-SGRS-2M25	M25	M25
ASSEMBLY PART NUMBER	TYPE	ASSEMBLY PART DESCRIPTION	IG1	IG2

THIS DRAWING IS A CONTROLLED DOCUMENT.		DWN 25JUN2015 DAVID LI	TE Connectivity NAME H10B-SGRS-PG/M	
DIMENSIONS: mm		CHK 25JUN2015 CHRIS WANG		
TOLERANCES UNLESS OTHERWISE SPECIFIED:		APVD 25JUN2015 XU XIANG	PRODUCT SPEC 108-137013	
0 PLC ±- 1 PLC ±- 2 PLC ±- 3 PLC ±- 4 PLC ±- ANGLES ±-		APPLICATION SPEC 114-137013	RESTRICTED TO	
MATERIAL TBD	FINISH -	WEIGHT -	SIZE A3	CAGE CODE -
		CUSTOMER DRAWING	DRAWING NO. C-TI44010XXXX000	
			SCALE 1:1	SHEET 1 OF 2
				REV B

4

3

2

1

THIS DRAWING IS UNPUBLISHED.

RELEASED FOR PUBLICATION

20

© COPYRIGHT 20

BY -

ALL RIGHTS RESERVED.

REVISIONS

P	LTR	DESCRIPTION	DATE	DWN	APVD
-	-	SEE SHEET 1	-	-	-

TYPE 2: BODY + DOUBLE STEEL LOCKING

OTHER SPEC REFER TO TYPE 1

TI440102116-000	TYPE 2	H10B-SGR-PG16	PG16	-
TI440102120-000		H10B-SGR-M20	M20	-
TI440102121-000		H10B-SGR-PG21	PG21	-
TI440102125-000		H10B-SGR-M25	M25	-
TI440102216-000		H10B-SGR-2PG16	PG16	PG16
TI440102220-000		H10B-SGR-2M20	M20	M20
TI440102221-000		H10B-SGR-2PG21	PG21	PG21
TI440102225-000		H10B-SGR-2M25	M25	M25
TI440102516-000		H10B-SGR-M25/PG16	M25	PG16
TI440102520-000		H10B-SGR-M25/M20	M25	M20
ASSEMBLY PART NUMBER	TYPE	ASSEMBLY PART DESCRIPTION	IG1	IG2

THIS DRAWING IS A CONTROLLED DOCUMENT.		DWN	DAVID LI	25JUN2015	 TE Connectivity	
DIMENSIONS:		CHK	CHRIS WANG	25JUN2015		
mm		APVD	XU XIANG	25JUN2015		
		PRODUCT SPEC	108-137013			
TOLERANCES UNLESS OTHERWISE SPECIFIED:		APPLICATION SPEC	114-137013		NAME	H10B-SGR-PG/M
0 PLC	±-	WEIGHT	-		SIZE	A3
1 PLC	±-	CUSTOMER DRAWING			CAGE CODE	-
2 PLC	±-	SCALE	7:10		DRAWING NO	©-TI44010XXXX000
3 PLC	±-	SHEET	2		RESTRICTED TO	
4 PLC	±-	OF	2		REV	B
ANGLES	±-					
MATERIAL	TBD					
FINISH	-					

1470-19 (3/13)

Downloaded From Onevac.com

单击下面可查看定价，库存，交付和生命周期等信息

[>>TE Connectivity\(泰科\)](#)