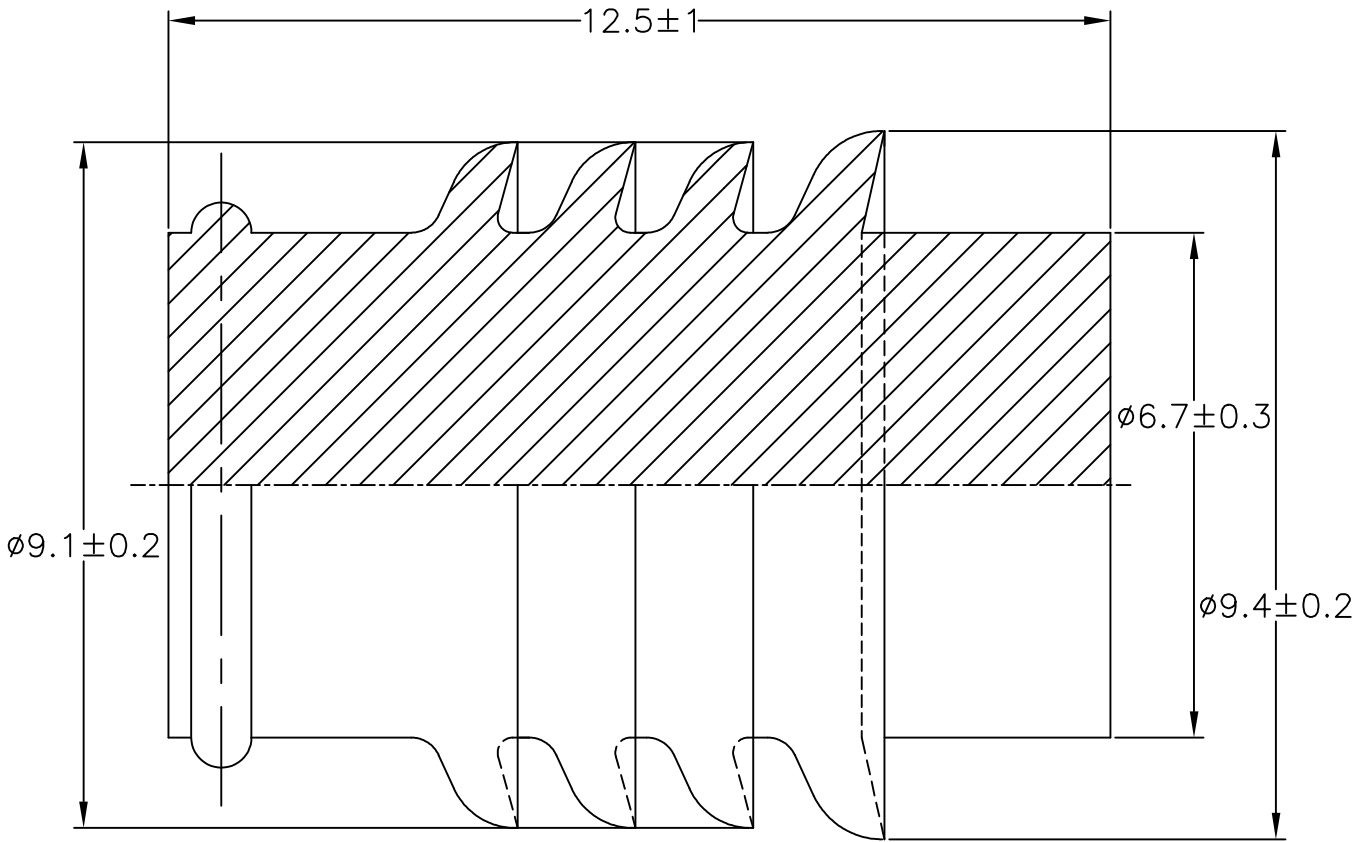


REVISIONS				
P	LTR	DESCRIPTION	DATE	APVD
	B	REVISED ECR-17-017339	29NOV2017	DM TK





① 材料 ; NBR フタル酸フリー
 ① MATERIAL ; NBR NON-BIS TYPE

NBR ①	BLACK	2822358-1
MATERIAL	COLOR	PART NUMBER

THIS DRAWING IS UNPUBLISHED. NOV , 2017.

ALL RIGHTS RESERVED.

COPYRIGHT 2017 By Tyco Electronics Japan C.K.

DIMENSIONS: mm	DWN	06AUG2014	MATERIAL	SEE TABLE	FINISH	-
	CHK	06AUG2014	 TE Connectivity			
TOLERANCES UNLESS OTHERWISE SPECIFIED:	APVD	06AUG2014				
0 PLC ± -	PRODUCT SPEC	108-5179				
1 PLC ± -	APPLICATION SPEC	-	NAME	.250 TYPE CAVITY PLUG		
2 PLC ± -	WEIGHT	0.65 g	SIZE	A4	CAGE CODE	00779
3 PLC ± -		CUSTOMER DRAWING	DRAWING NO	C= 2822358		RESTRICTED TO
4 PLC ± -			SCALE	10:1	SHEET	1 OF 1
ANGLES ± -						

单击下面可查看定价，库存，交付和生命周期等信息

[>>TE Connectivity\(泰科\)](#)