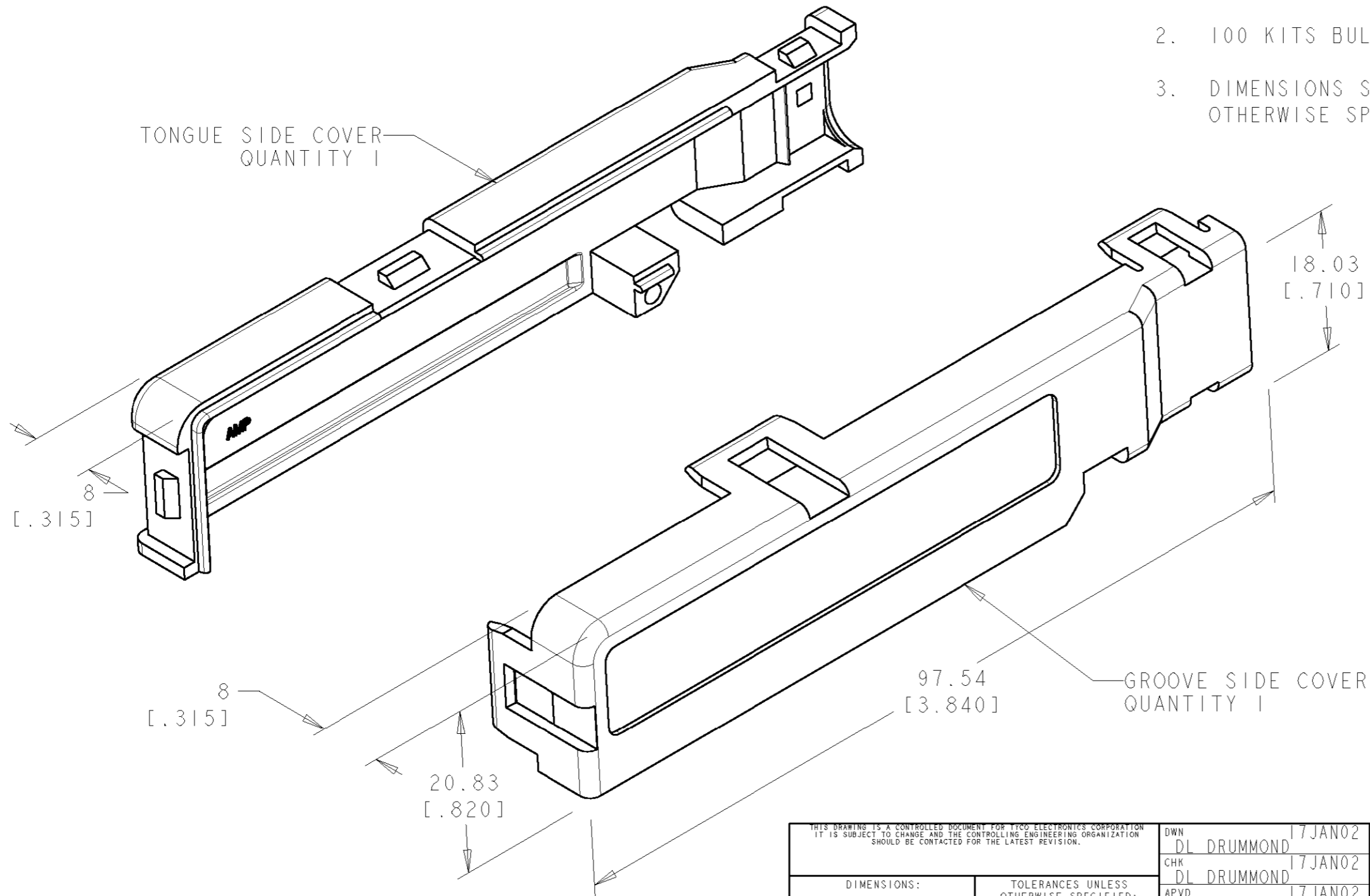


THIS DRAWING IS UNPUBLISHED. RELEASED FOR PUBLICATION 20
 © COPYRIGHT 20 BY TYCO ELECTRONICS CORPORATION. ALL RIGHTS RESERVED.

LOC	DIST	REVISIONS			
P	LTR	DESCRIPTION	DATE	DWN	APVD
AA	20				
		O	RELEASED PER EC 0S15-0006-02	17JAN2002	DLD RPM
		A	REVISED PER EC 0S15-0190-02	02JUL2002	DLD RPM

- COVERS SHIPPED NOT ASSEMBLED.
- 100 KITS BULK PACKED.
- DIMENSIONS SHOWN ARE FOR REFERENCE ONLY UNLESS OTHERWISE SPECIFIED.



AS SHOWN	1339519-1
DESCRIPTION	PART NUMBER

<small>THIS DRAWING IS A CONTROLLED DOCUMENT FOR TYCO ELECTRONICS CORPORATION IT IS SUBJECT TO CHANGE AND THE CONTROLLING ENGINEERING ORGANIZATION SHOULD BE CONTACTED FOR THE LATEST REVISION.</small>		DWN	DL DRUMMOND	17JAN02	Tyco Electronics Harrisburg, PA 17105-3608	
DIMENSIONS: mm [INCHES]		CHK	DL DRUMMOND	17JAN02		
		APVD	RP McCRAW	17JAN02		
TOLERANCES UNLESS OTHERWISE SPECIFIED: 0 PLC ± 1 PLC ± 2 PLC ± 3 PLC ± 4 PLC ± ANGLES ±		PRODUCT SPEC	NAME			
MATERIAL POLYPHENYLENE OXIDE		FINISH	-			COVER KIT, 90 DEGREE, 50 POSITION, CHAMP
CUSTOMER DRAWING		WEIGHT	-			
		SCALE	2:1	SHEET	1 OF 1	RESTRICTED TO
						REV A

单击下面可查看定价，库存，交付和生命周期等信息

[>>TE Connectivity\(泰科\)](#)