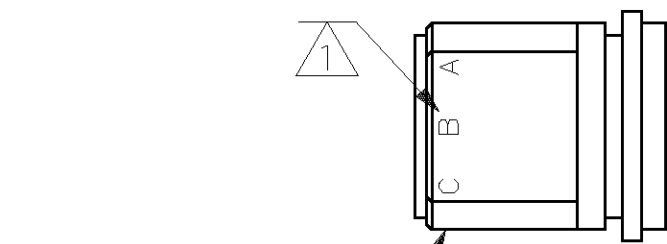


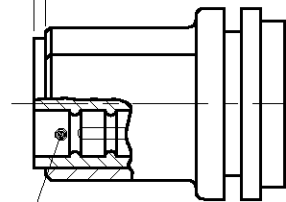
THIS DRAWING IS UNPUBLISHED. RELEASED FOR PUBLICATION, 19 .
 © COPYRIGHT 19 BY AMP INCORPORATED. ALL INTERNATIONAL RIGHTS RESERVED.

| LOC | DIST | P | F | ZONE | LTR | DESCRIPTION | DATE | APPD |
|-----|------|---|---|------|-----|-------------------------|------|------|
| DF | 50 | | | | A | REV PER 063D-0228-99 CT | 4-00 | DE |

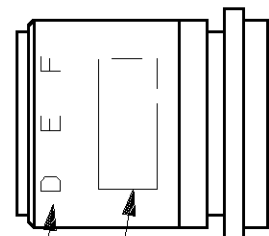


PLUG SHELL
 MAT'L: POLYESTER
 MLDG. CMPD.
 COLOR: BLACK

.030 ± .005

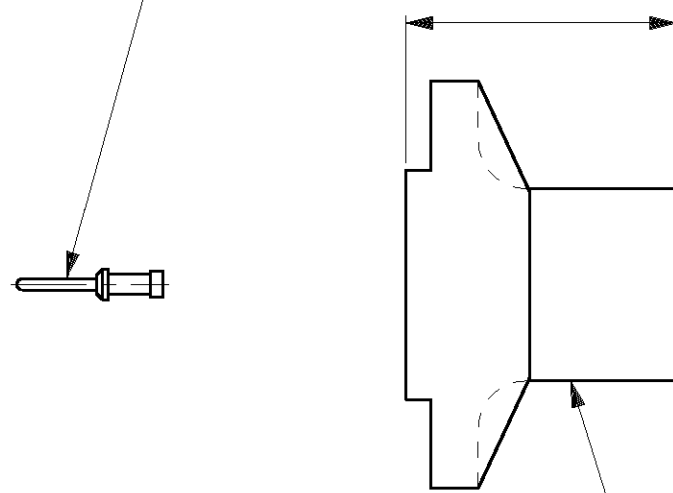


MOLDED SLUG
 MAT'L: SILICONE RUBBER
 COLOR: RED

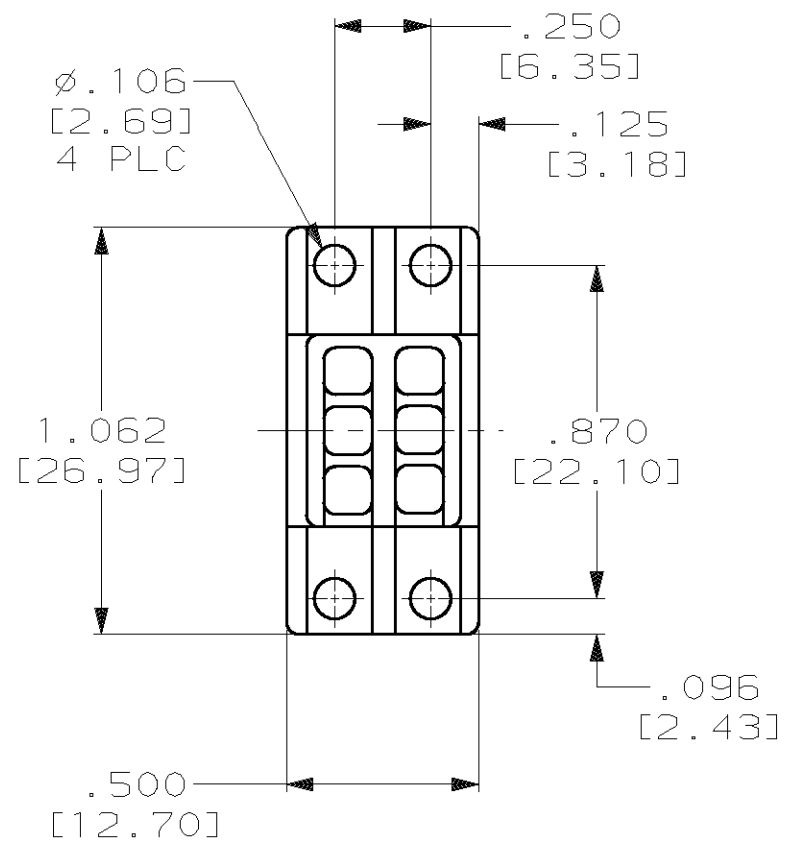


AMP INFORMATION

PIN CONTACT; SIZE #22 (QTY=6)
 MAT'L: BRONZE PER ASTM-B-140
 FINISH: GOLD PER MIL-G-45204
 OVER NICKEL PER QQ-N-290



POTTING SHELL
 MAT'L: POLYESTER
 MLDG. CMPD.
 COLOR: BLACK



1 MARKED PER MIL-STD-130.

THIS DRAWING IS A CONTROLLED DOCUMENT FOR AMP INCORPORATED. IT IS SUBJECT TO CHANGE AND THE CONTROLLING ENGINEERING ORGANIZATION SHOULD BE CONTACTED FOR THE LATEST REVISION.

| | | | | | |
|--|--|------------------|--|-------------------------|--|
| DO NOT SCALE PRINT. UNLESS SPECIFIED DIMENSIONS IN INCHES [mm] | | DR 7-9-92 | | 448479-1 | |
| TOLERANCES ON: | | C.C. THOMAS | | PART NO | |
| 2 PLC DEC ± - | | CHK 7-13-92 | | AMP INCORPORATED | |
| 3 PLC DEC ± .005 [0.13] | | D.EABY | | Harrisburg, Pa. 17105 | |
| ANGLES ± - | | APPD 7-13-92 | | NAME | |
| MATERIAL | | D.EABY | | SUB MINIATURE PLUG KIT, | |
| SEE CALLOUT | | C.C. THOMAS | | HIGH VOLTAGE, | |
| FINISH | | PRODUCT SPEC | | 6 PIN, RIGHT ANGLE | |
| SEE CALLOUT | | APPLICATION SPEC | | SIZE | |
| | | WEIGHT - | | B | |
| | | | | FSCM NO | |
| | | | | DRAWING NO | |
| | | | | 00779 | |
| | | | | 448479 | |
| | | | | SCALE | |
| | | | | 2:1 | |
| | | | | SHEET | |
| | | | | 1 OF 1 | |

单击下面可查看定价，库存，交付和生命周期等信息

[>>TE Connectivity\(泰科\)](#)