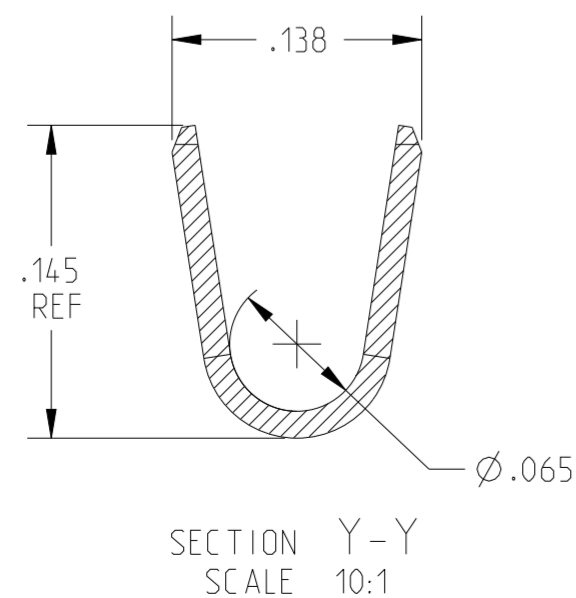
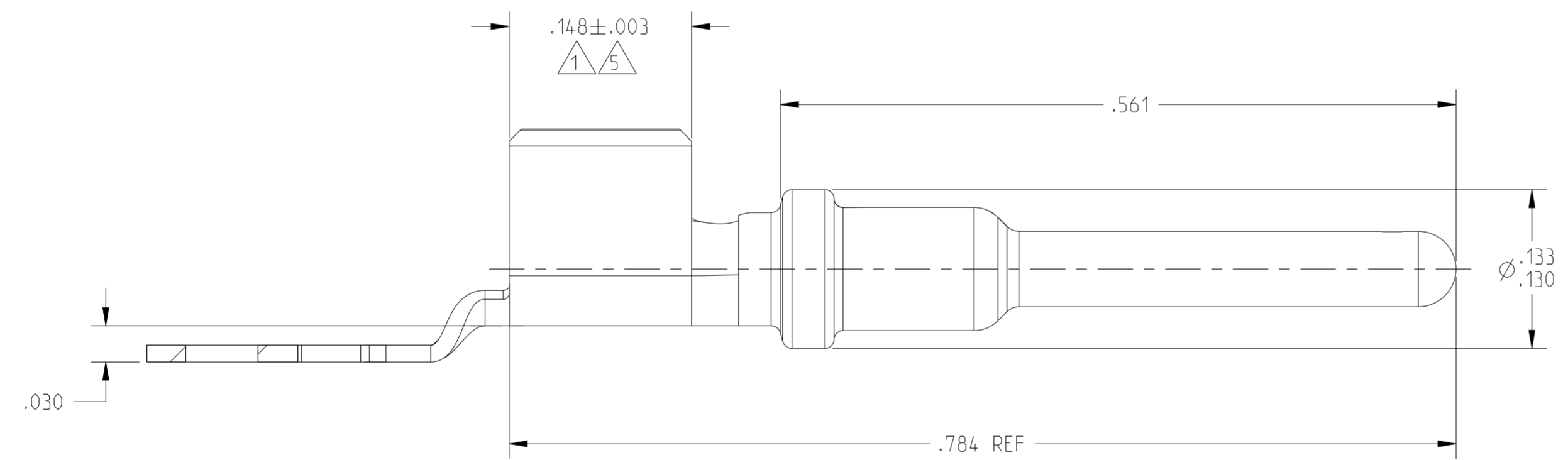
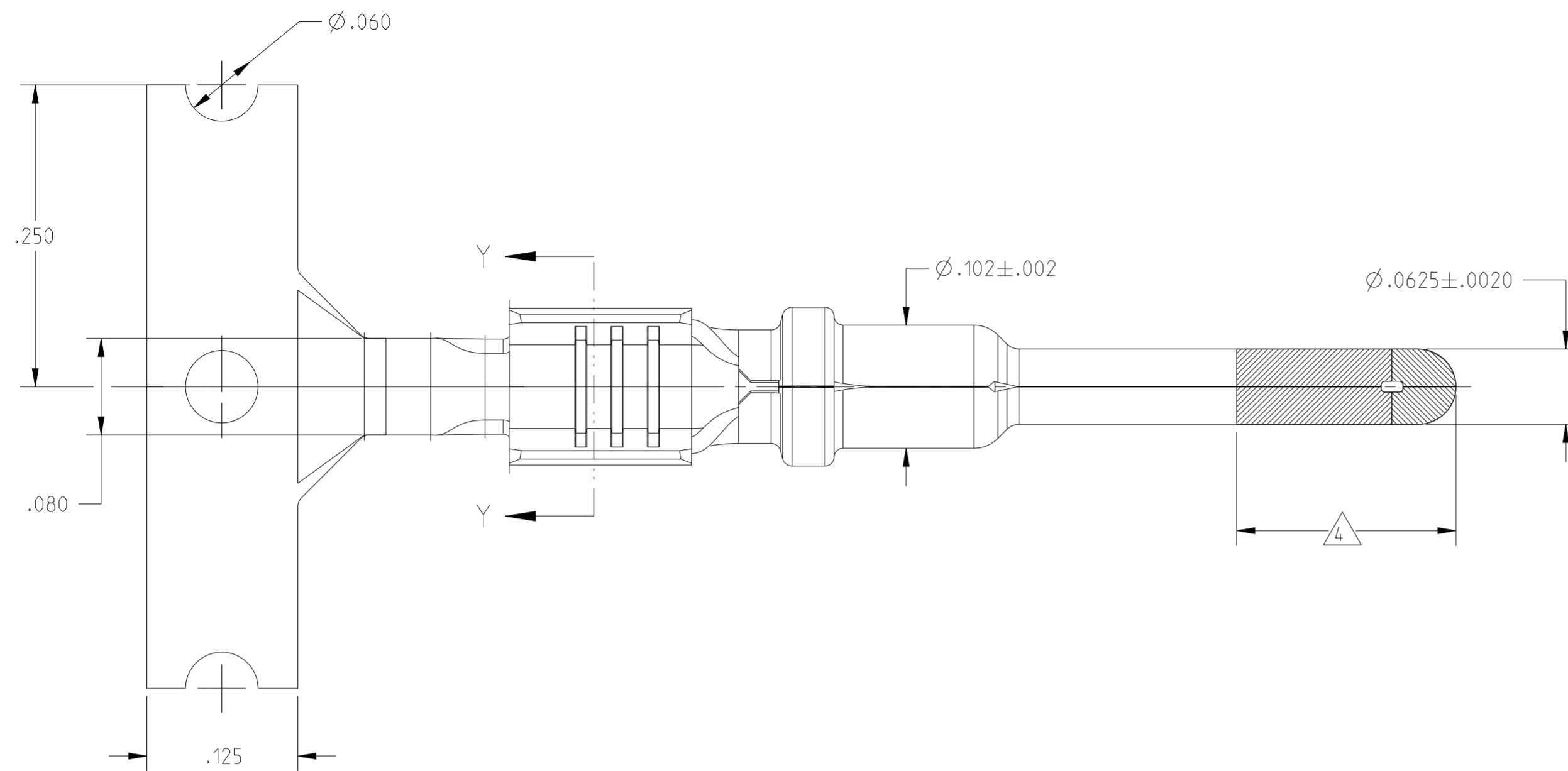


| REVISIONS | | | | |
|-----------|-----|---------------------------|-----------|---------|
| P | LTR | DESCRIPTION | DATE | APVD |
| C4 | | REVISED PER ECN-21-129868 | 06NOV2021 | DRK NRS |
| | | | | |
| | | | | |



NOTES:

- 1 FINISH: PLATE 0.000100-0.000200 THK TIN IN LOCALIZED TIN PLATE AREA. ALL OVER 0.000030-0.0000070 THK NICKEL.
- 2. CONTACT WILL BE LUBED WITH LUBRICANT PER P/N 22014-1
- 3. WIRE RANGE: 18-14 AWG SXL, GXL, AND TXL WIRE WITH INSL DIAMETERS OF 0.077-0.155 INCHES
- 4 PLATES 0.000030 MIN THK SELECT GOLD IN LOCALIZED PLATE AREA
- 5 PLATE 0.000100-0.000200 THK TIN PER 112-65-1 IN LOCALIZED TIN PLATE AREA. ALL OVER 0.000040-0.000080 THK NICKEL PER 112-25-2

| | |
|-----|----------|
| 5 | 638112-3 |
| 1 4 | 638112-1 |

| | | | | |
|---|--------|-------------------------------|-----------------------------------|----------------------|
| THIS DRAWING IS A CONTROLLED DOCUMENT. | | DWN JL MCNEAL 30SEP1997 | TE Connectivity | |
| DIMENSIONS: INCHES | | CHK - | | |
| TOLERANCES UNLESS OTHERWISE SPECIFIED: | | APVD W. LONG 01OCT1997 | NAME PIN CONTACT, WIRE-TO-WIRE | |
| 0 PLC | ± | PRODUCT SPEC | SIZE A2 | |
| 1 PLC | ± | APPLICATION SPEC | CAGE CODE 00779 | DRAWING NO 638112 |
| 2 PLC | ±0.02 | | RESTRICTED TO - | |
| 3 PLC | ±0.005 | | SCALE 10:1 | SHEET 1 OF 1 |
| 4 PLC | ± | | REV C4 | |
| ANGLES | ± | | | |
| FINISH | - | WEIGHT - | | |
| MATERIAL BODY: 0.014 THK COPPER ALLOY | - | CUSTOMER DRAWING | | |

单击下面可查看定价，库存，交付和生命周期等信息

[>>TE Connectivity\(泰科\)](#)