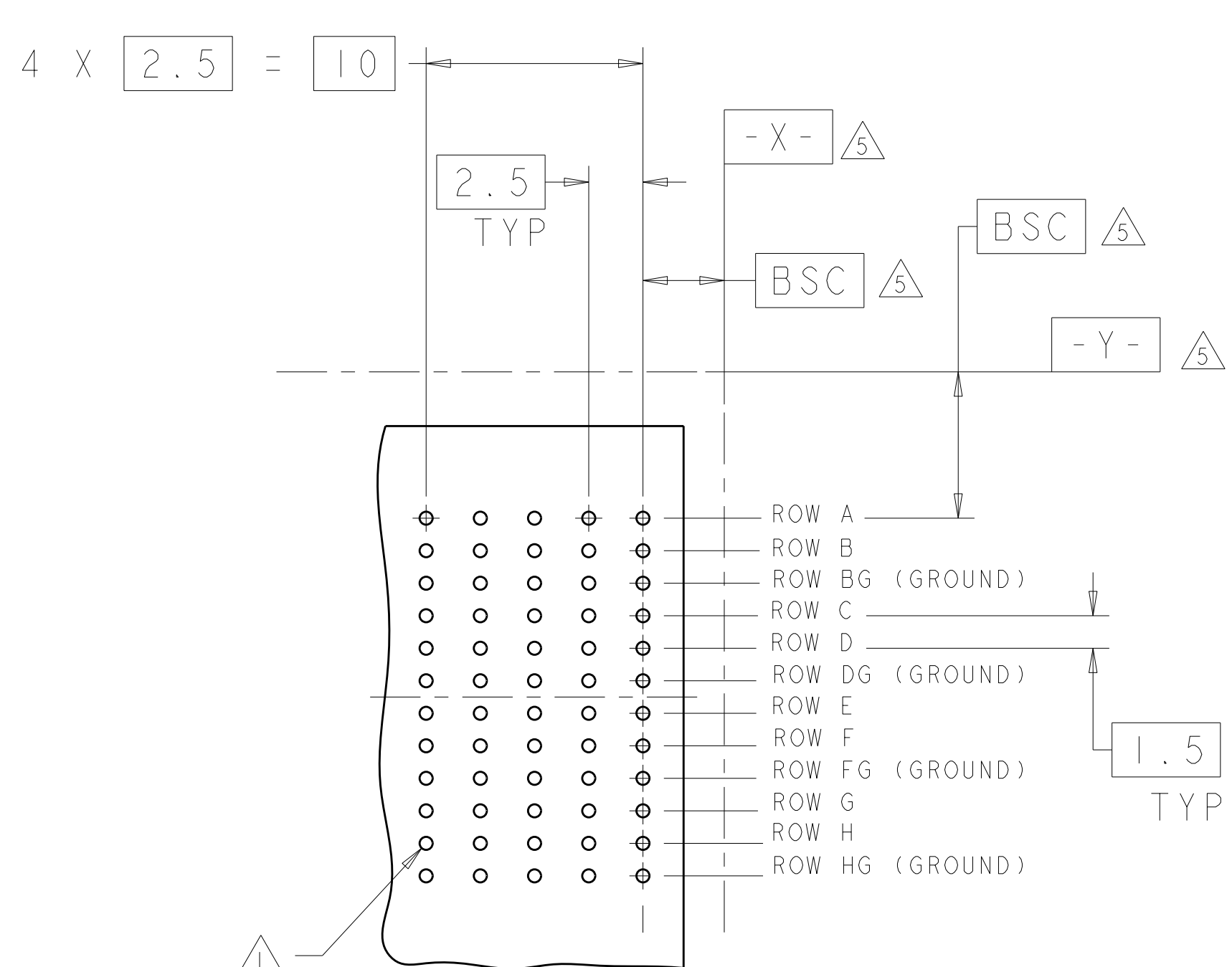
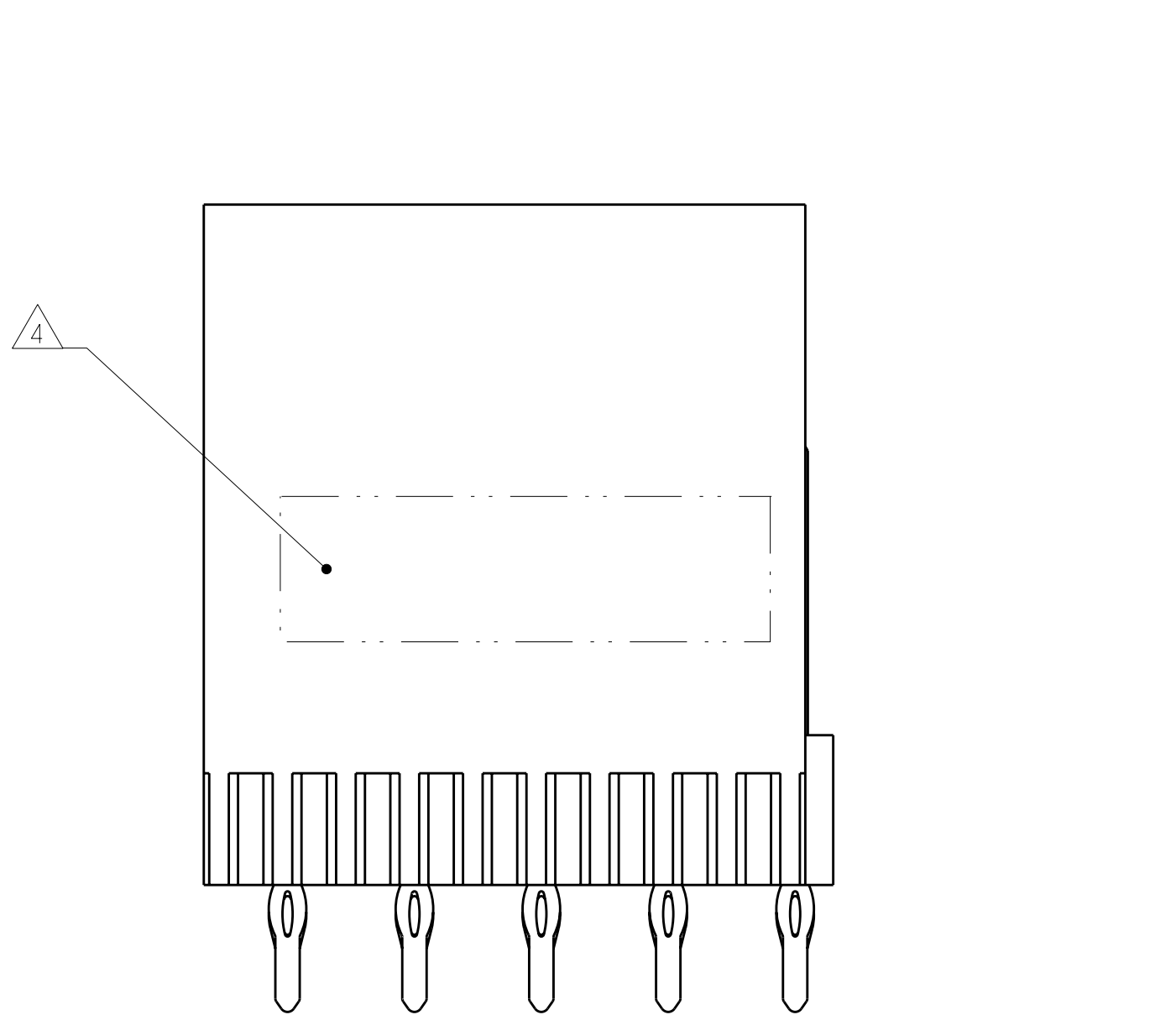
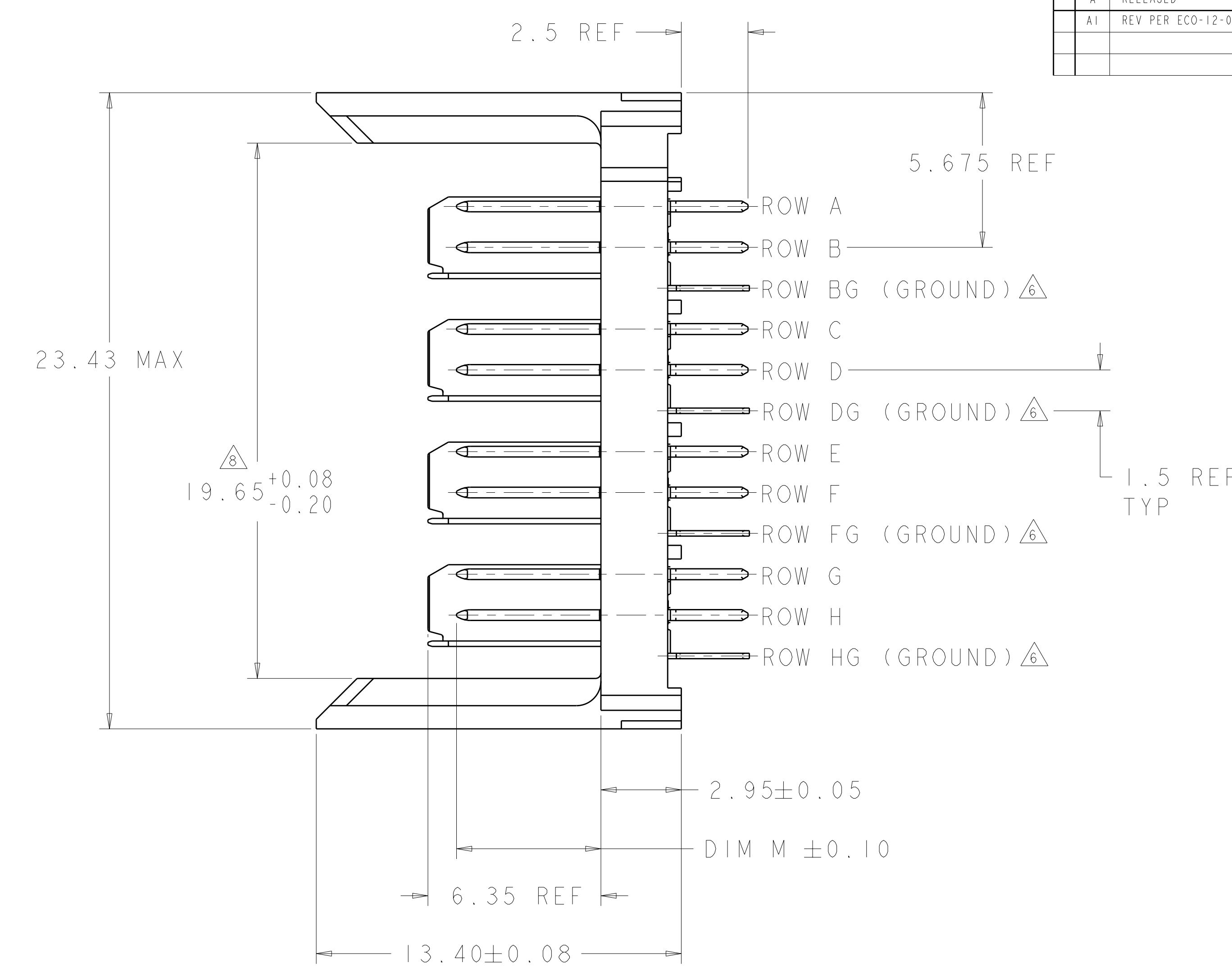
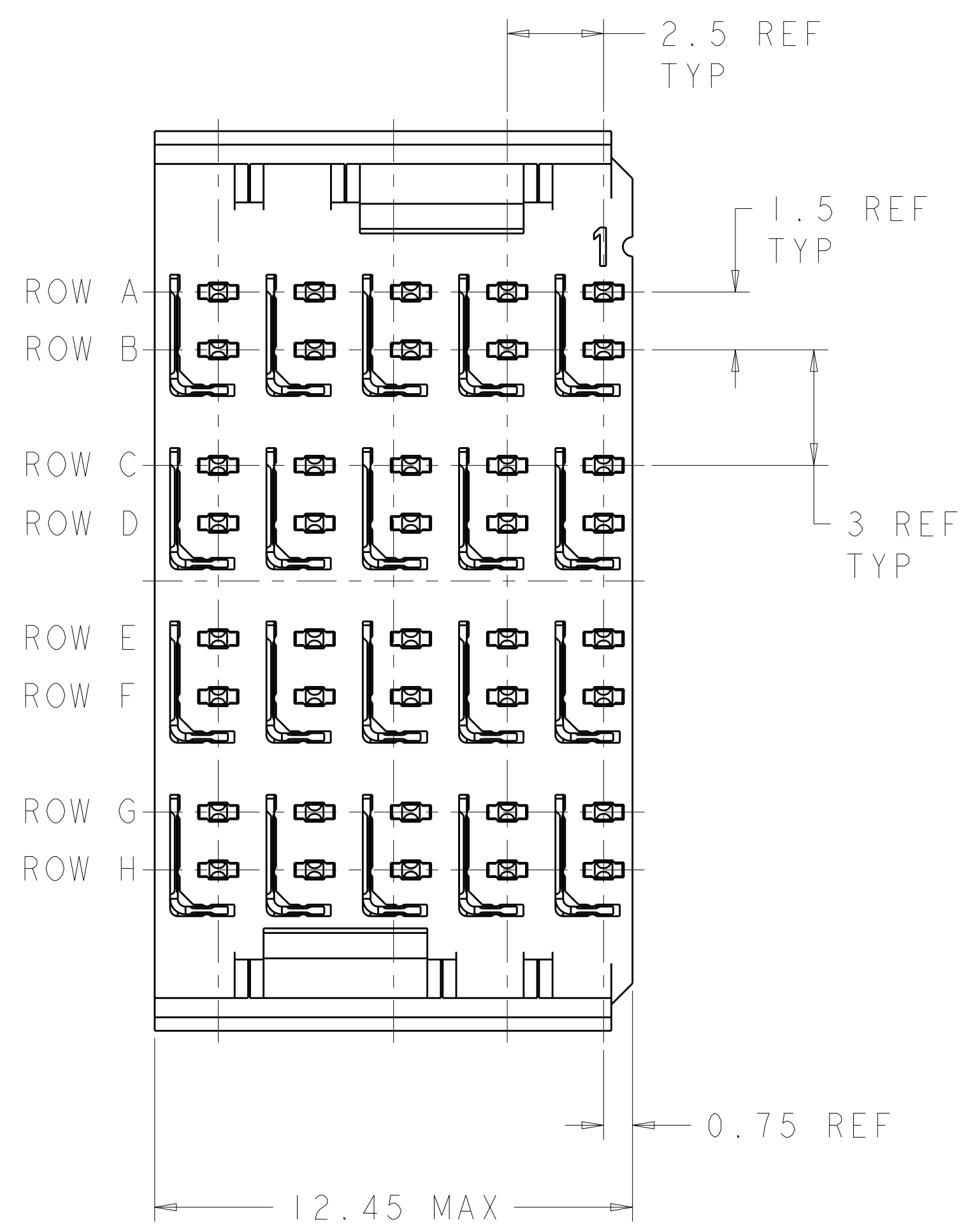


LOC		DIST		REVISIONS			
AD	00	P	LTR	DESCRIPTION	DATE	DWN	APVD
		A		RELEASED	08DEC2011	RG	DY
		A1		REV PER ECO-12-001940	31JAN2012	RG	JE



⊕ ∅0.05Ⓢ X Y
 ALL PLATED THRU HOLES

RECOMMENDED PC BOARD LAYOUT, BACKPLANE, COMPONENT SIDE SHOWN SCALE 4:1

- ⚠ PCB HOLE DIM:
 DRILLED HOLE=0.700±0.025mm
 FINISHED HOLE=0.60±0.05mm
 Cu-THICKNESS=0.0375±0.0125mm
 SnPb THICKNESS=0.007±0.003mm
- ⚡ MATERIAL:
 CONTACT AND SHIELD - PHOSPHOR BRONZE
 HOUSING - GLASS FILLED POLYESTER
- ⚡ FINISH: CONTACT AND SHIELD
 MATING AREA - MEETS THE PERFORMANCE REQUIREMENTS OF PRODCUT SPECIFICATION 108-2055; BASED ON TELCORDIA GR-1217-CORE, APPLICATIONS IN UNCONTROLLED ENVIRONMENTS
 COMPLIANT PIN AREA - 0.5µm MIN TIN OVER 1.27µm MIN NICKEL
- ⚡ CONNECTOR MARKED WITH PART NUMBER AND DATE CODE.
- ⚡ DATUMS AND BASIC DIMENSIONS ESTABLISHED BY CUSTOMER.
- ⚡ THE FOUR GROUNDS IN EACH COLUMN ARE COMMONED.
- 7. CONTACT AREA LUBRICATED WITH BELLCORE APPROVED LUBRICANT. TECHNICAL REFERENCE: GR-1217-CORE, ISSUE 1, NOVEMBER 1995.
- ⚡ DIMENSION APPLIES TO FIRST AND LAST CIRCUITS.

3.80	6469252-2
5.30	6469252-1
DIM M	PART NUMBER

DIMENSIONS: mm TOLERANCES UNLESS OTHERWISE SPECIFIED: 0 PLC ± 1 PLC ± 2 PLC ± 3 PLC ± 4 PLC ± ANGLES ± FINISH ⚡		DWN D. HUMBERT 28DEC2009 CHK J. EARY 28DEC2009 APVD J. EARY 28DEC2009 PRODUCT SPEC APPLICATION SPEC WEIGHT CUSTOMER DRAWING	Tyco Electronics Harrisburg, PA 17105-3608 NAME: HEADER ASSEMBLY, 4 PAIR, 2.5mm TAIL, 12.5mm HMZd SIZE: CAGE CODE: DRAWING NO: 00779 C=6469252 RESTRICTED TO:
SCALE 8:1 SHEET 1 OF 1 REV A1			

单击下面可查看定价，库存，交付和生命周期等信息

[>>TE Connectivity\(泰科\)](#)