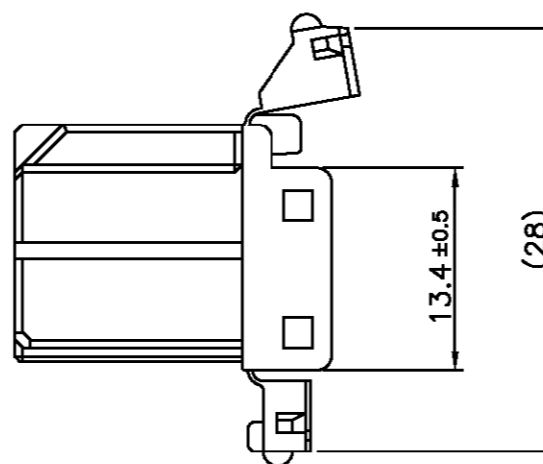
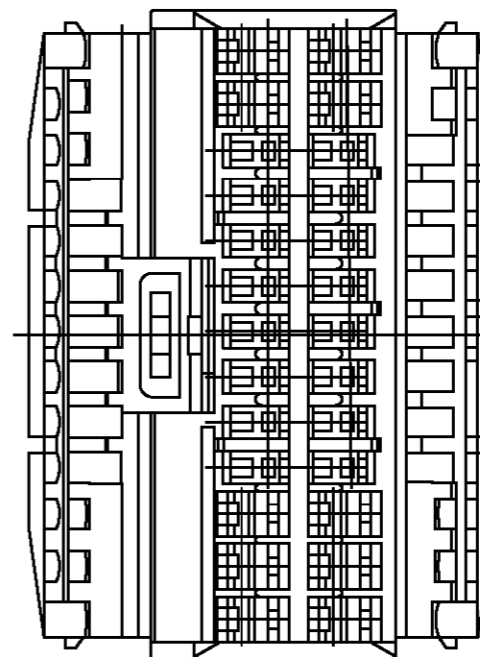
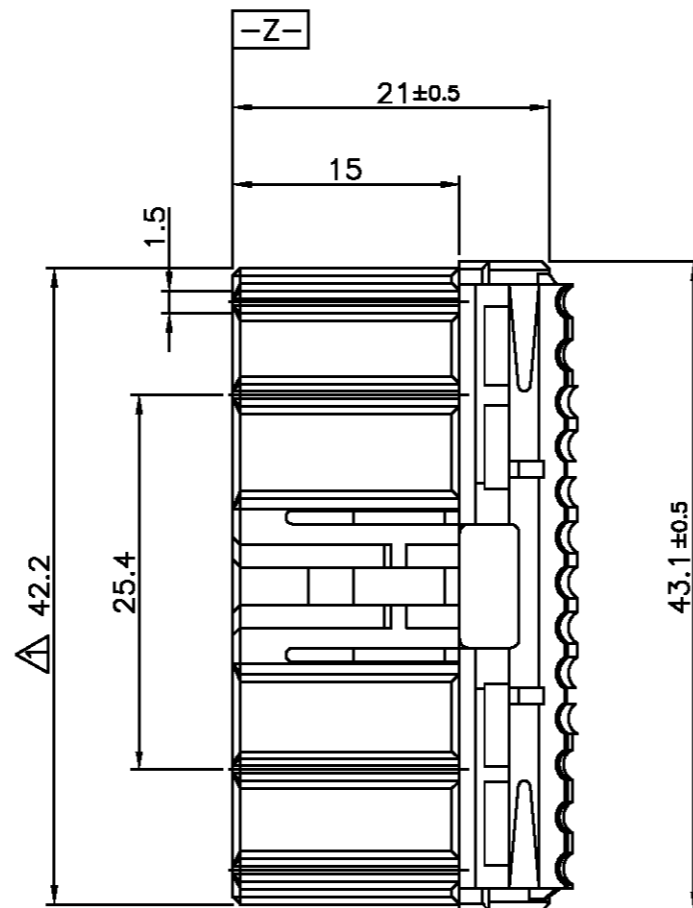
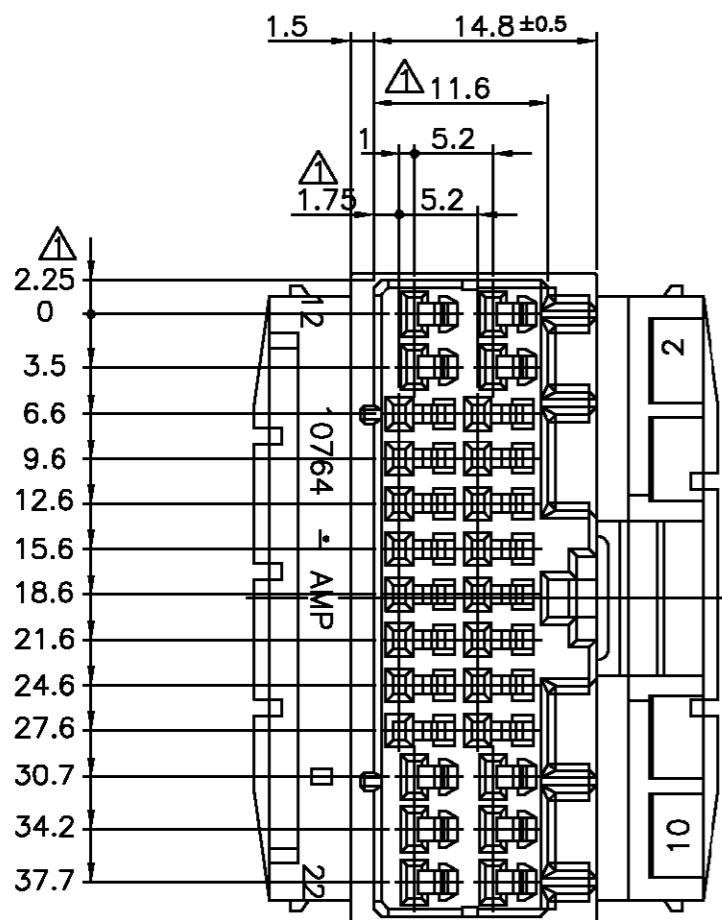


| P | LTR | DESCRIPTION | DATE | DWN | APVD |
|---|-----|-----------------------|-----------|-----|------|
| | O | RELEASED(RD96-369) | NOV/25/96 | HS | CS |
| | A | REVISED(FC00-0115-98) | DEC/24/98 | HS | CS |
| | B | REVISED(FC00-0084-03) | 09/JUN/03 | HS | CS |



| | | |
|---|---------|-----|
| | YELLOW | -7 |
| Ⓐ | GRAY | -6 |
| Ⓑ | BLACK | -2 |
| | NATURAL | -1 |
| | COLOR | P/N |

NOTES;

- △ MUST BE KEPT BETWEEN $-Z-$ AND 2mm.
- THE MATING CAP HOUSING PART NUMBER, 174518
- APPLIDE CONTACT PART NUMBER, 173631, 173716
- APPLICABLE PRODUCT SPEC NO. 108-5280

THIS DRAWING IS A CONTROLLED DOCUMENT FOR TYCO ELECTRONICS CORPORATION. IT IS SUBJECT TO CHANGE AND THE CONTROLLING ENGINEERING ORGANIZATION SHOULD BE CONTACTED FOR THE LATEST REVISION.

DIMENSIONS:
MM

TOLERANCES UNLESS OTHERWISE SPECIFIED:

- 0 <XX<10 ± 0.2
- 10 <XX<30 ± 0.25
- 30 <XX ± 0.3
- ANGLES ± 3°



MATERIAL

PBT

FINISH

DWN

CHK

APVD

PRODUCT SPEC

APPLICATION SPEC

WEIGHT

tyco
Electronics

AMP KOREA.
kyungsan, korea

NAME

26P PLUG HOUSING, HYBRID I/O CONN.

SIZE

CAGE CODE

DRAWING NO

RESTRICTED TO

A3

00779

C= 368136

SCALE 2/1

SHEET 1 OF 1

REV B

单击下面可查看定价，库存，交付和生命周期等信息

[>>TE Connectivity\(泰科\)](#)