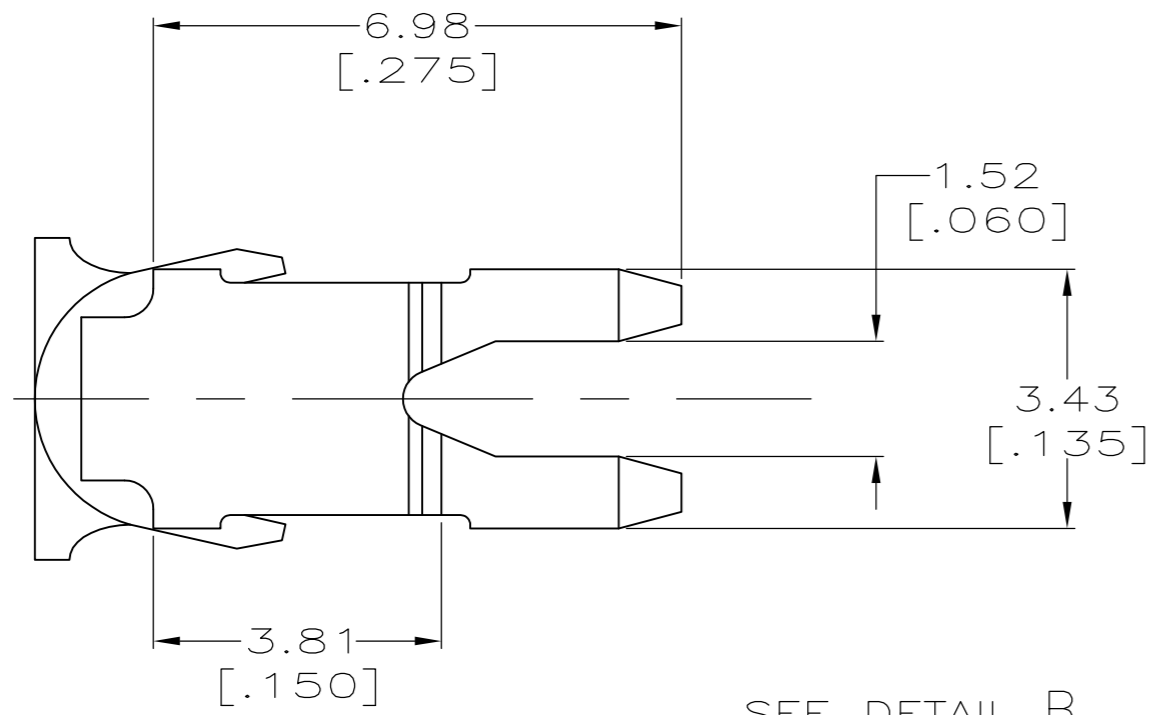


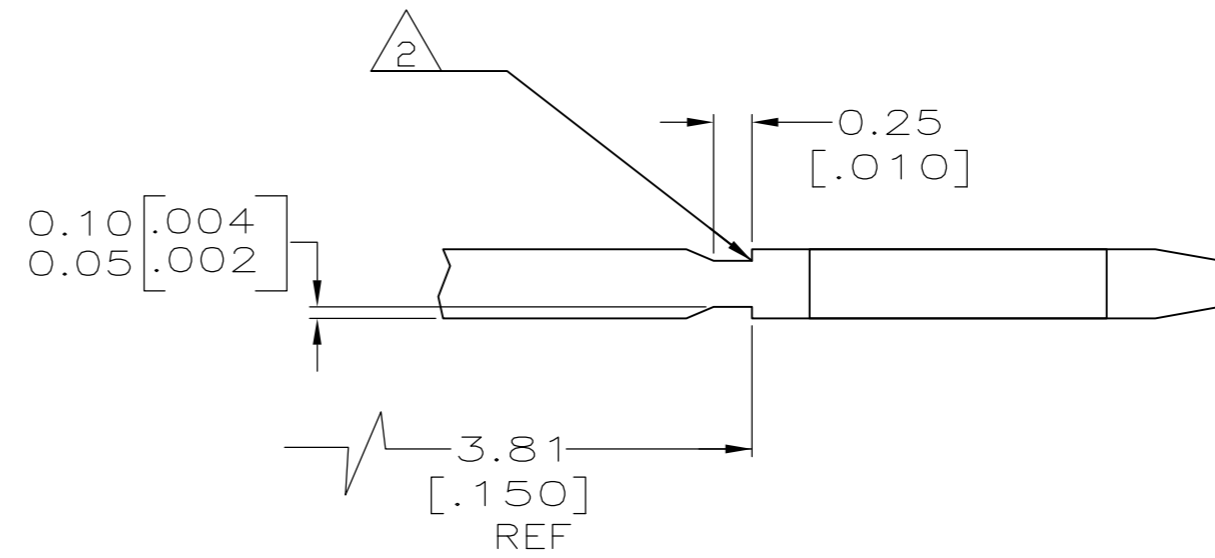
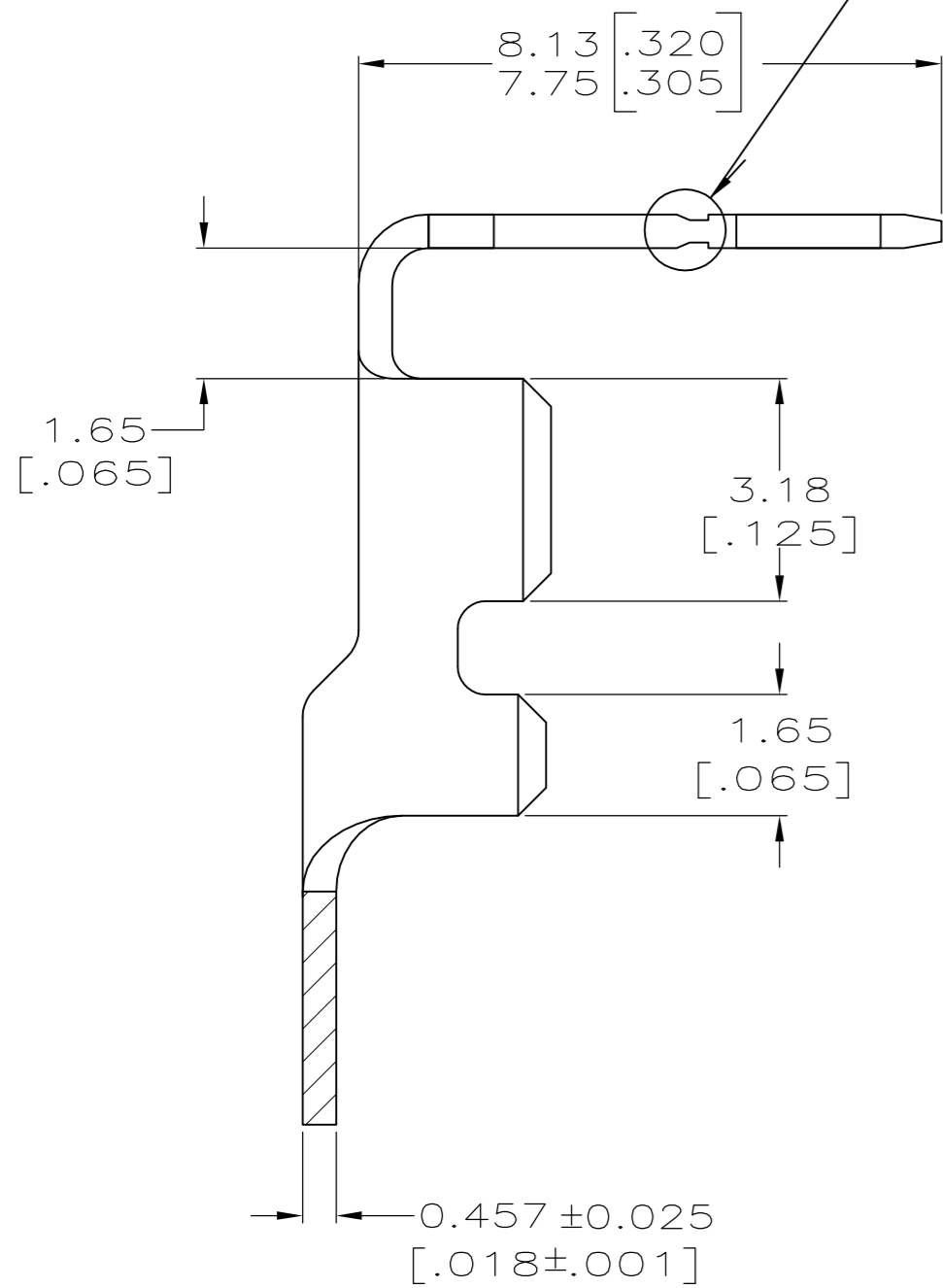
THIS DRAWING IS UNPUBLISHED. RELEASED FOR PUBLICATION
 © COPYRIGHT - By - ALL RIGHTS RESERVED.

| LOC | DIST | REVISIONS | | | |
|-----|------|-------------|---------------|---------|---------|
| P | LTR | DESCRIPTION | DATE | DWN | APVD |
| AF | 50 | C1 | ECR-13-016672 | 25OCT13 | PKS RRP |

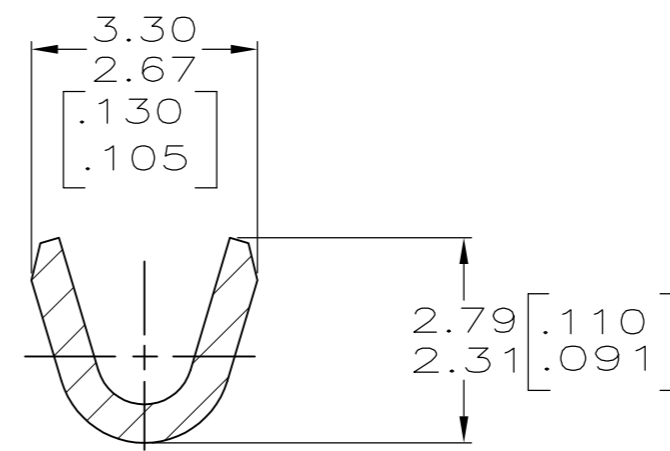
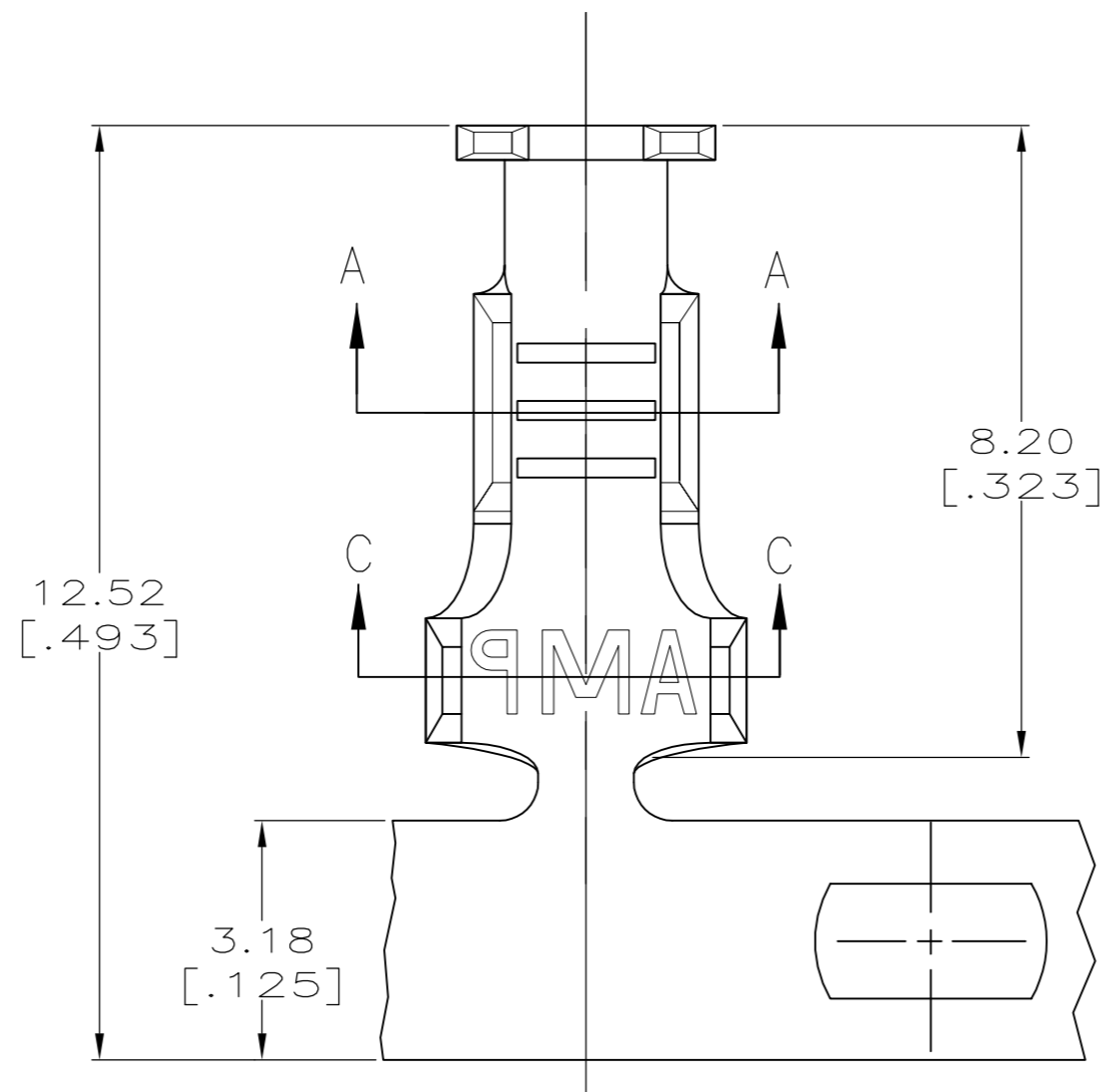
- 1 CONTINUOUS STRIP ON REELS
- 2 FOR OPTIMUM RETENTION IN POKE-IN TYPE MAG-MATE TERMINALS, THE SERRATION AS SHOWN MUST BE ENGAGED WITH THE EDGE OF THE LEAF



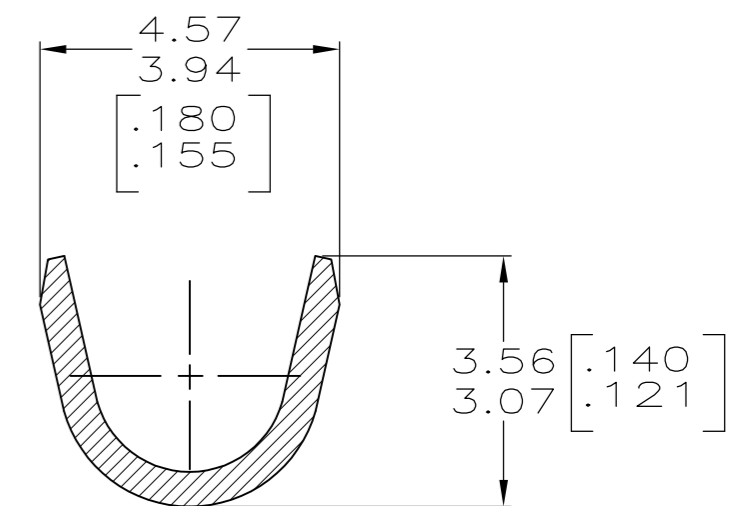
SEE DETAIL B



DETAIL B
SCALE 20:1



SECTION A-A



SECTION C-C

| | | |
|------------------------------|---|-------------|
| 1.52-2.54 DIA [.060-.100] | 0.3-0.8mm ² [#22-#18] AWG | 1217132-1 |
| INSULATION RANGE | WIRE RANGE | PART NUMBER |

| | | | | |
|--|--|--|------------------------------------|--------------------|
| THIS DRAWING IS A CONTROLLED DOCUMENT. | | DWN MICHAEL S. FEHER 16DEC1998 | TE Connectivity | |
| DIMENSIONS: mm | | CHK PHILLIP M. FORTNEY 16DEC1998 | NAME TAB, POKE-IN, MAG-MATE™ | |
| TOLERANCES UNLESS OTHERWISE SPECIFIED: 0 PLC ± - 1 PLC ± - 2 PLC ± 0.25[.010] 3 PLC ± - 4 PLC ± - ANGLES ± - | | APVD PETE DESANTIS 16DEC1998 | PRODUCT SPEC 108-22045 | |
| MATERIAL BRASS | | FINISH TIN PLATE | APPLICATION SPEC 114-2050 | RESTRICTED TO - |
| WEIGHT - | | SCALE 10:1 | SIZE A2 | CAGE CODE 00779 |
| CUSTOMER DRAWING | | DRAWING NO C=1217132 | SHEET 1 OF 1 | |
| | | REV C1 | | |

单击下面可查看定价，库存，交付和生命周期等信息

[>>TE Connectivity\(泰科\)](#)