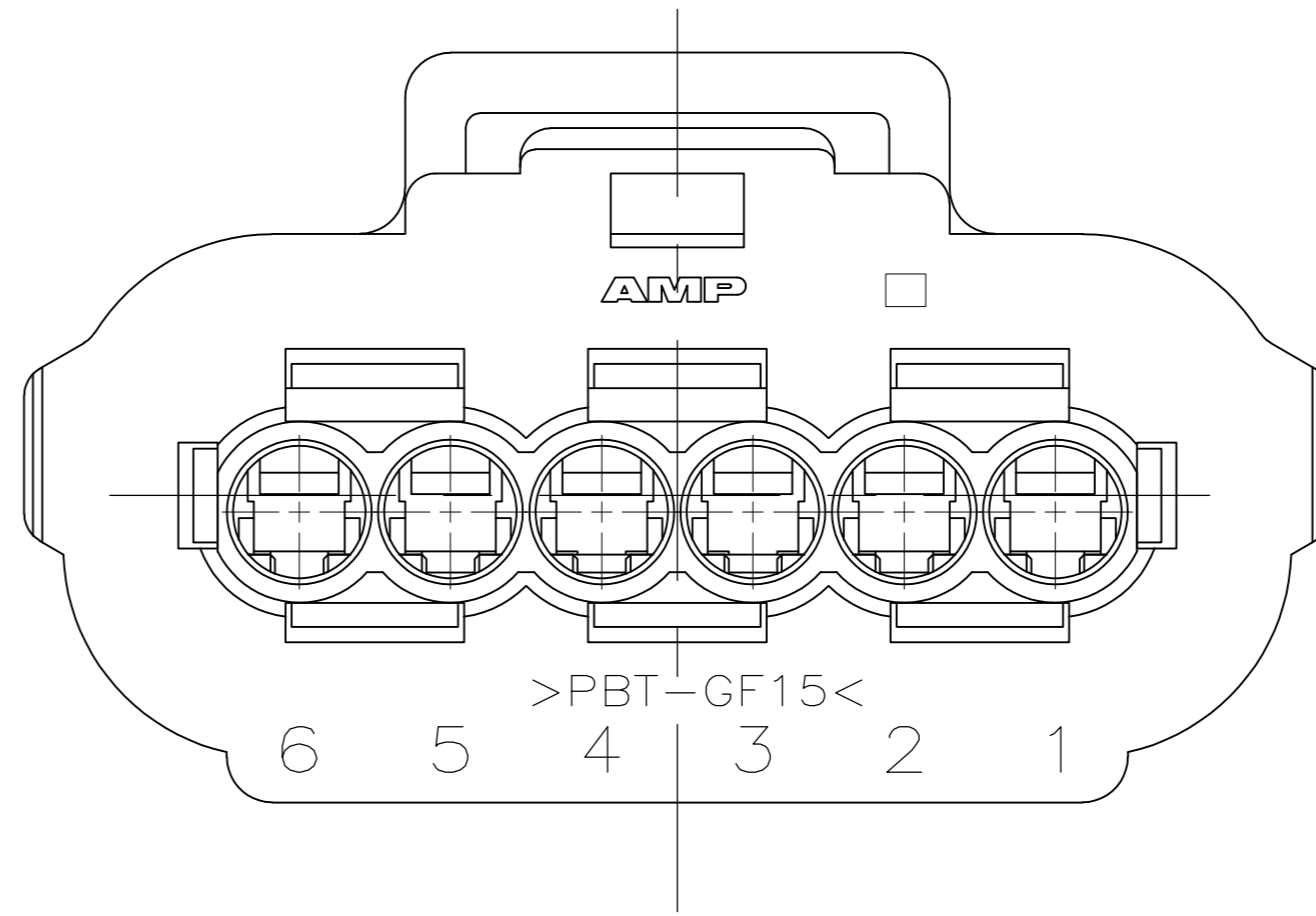
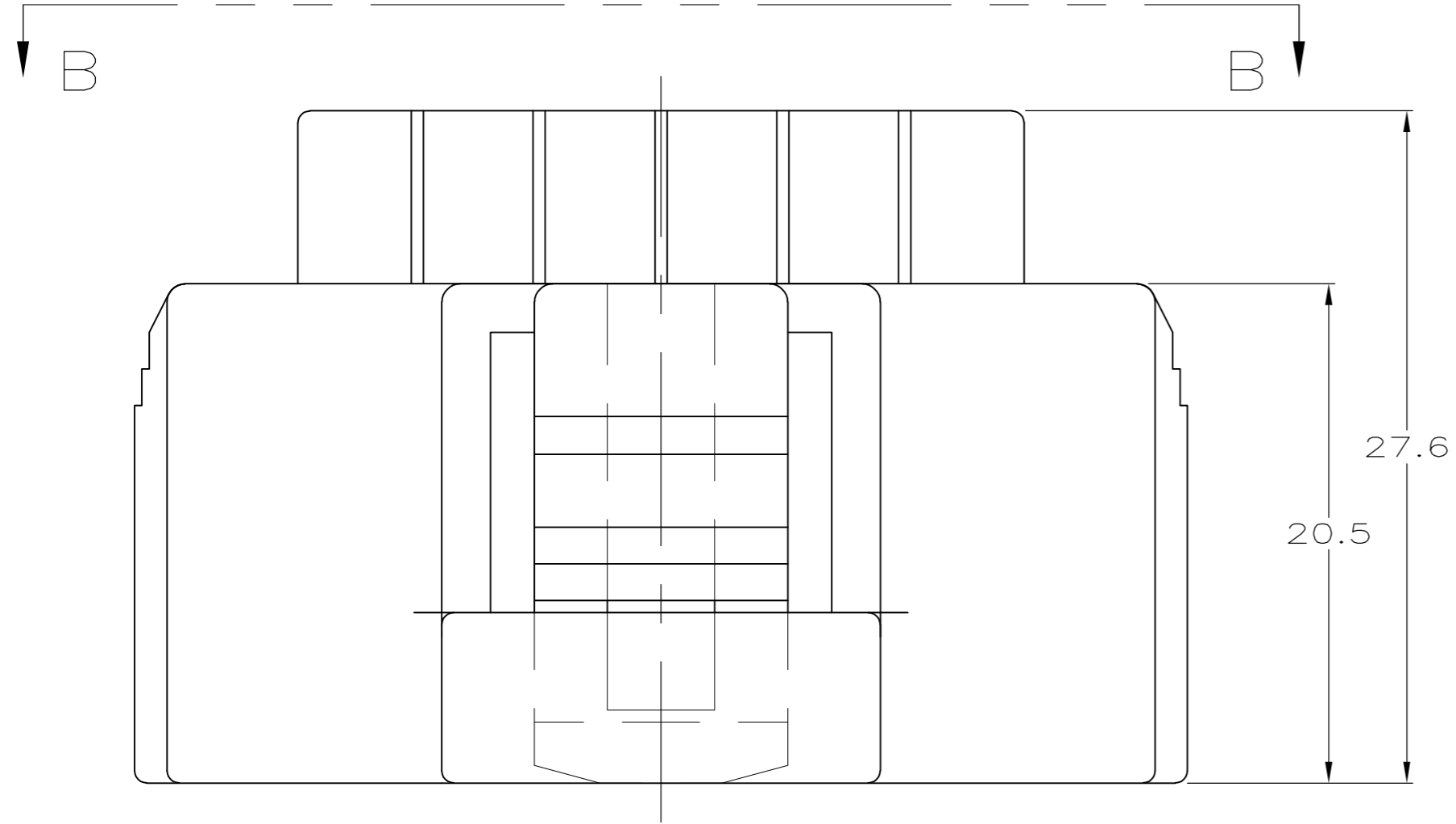
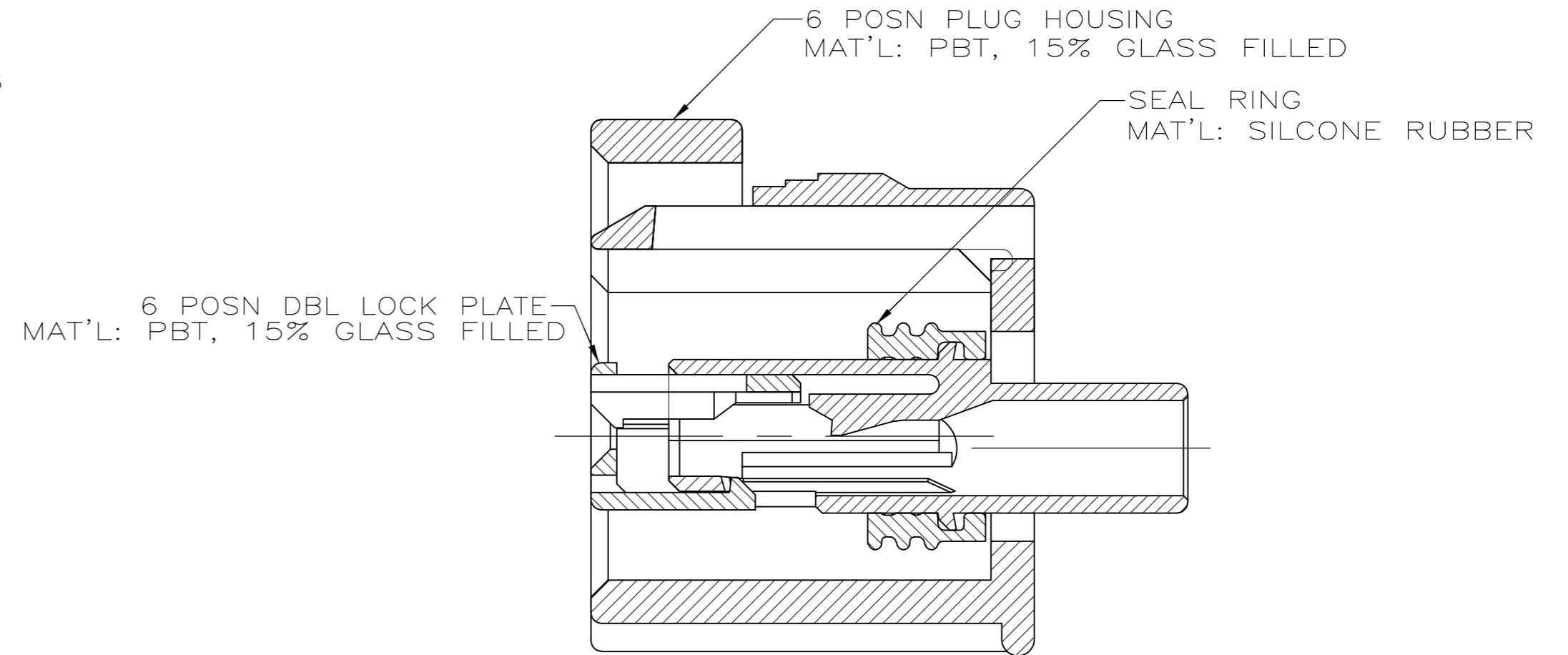
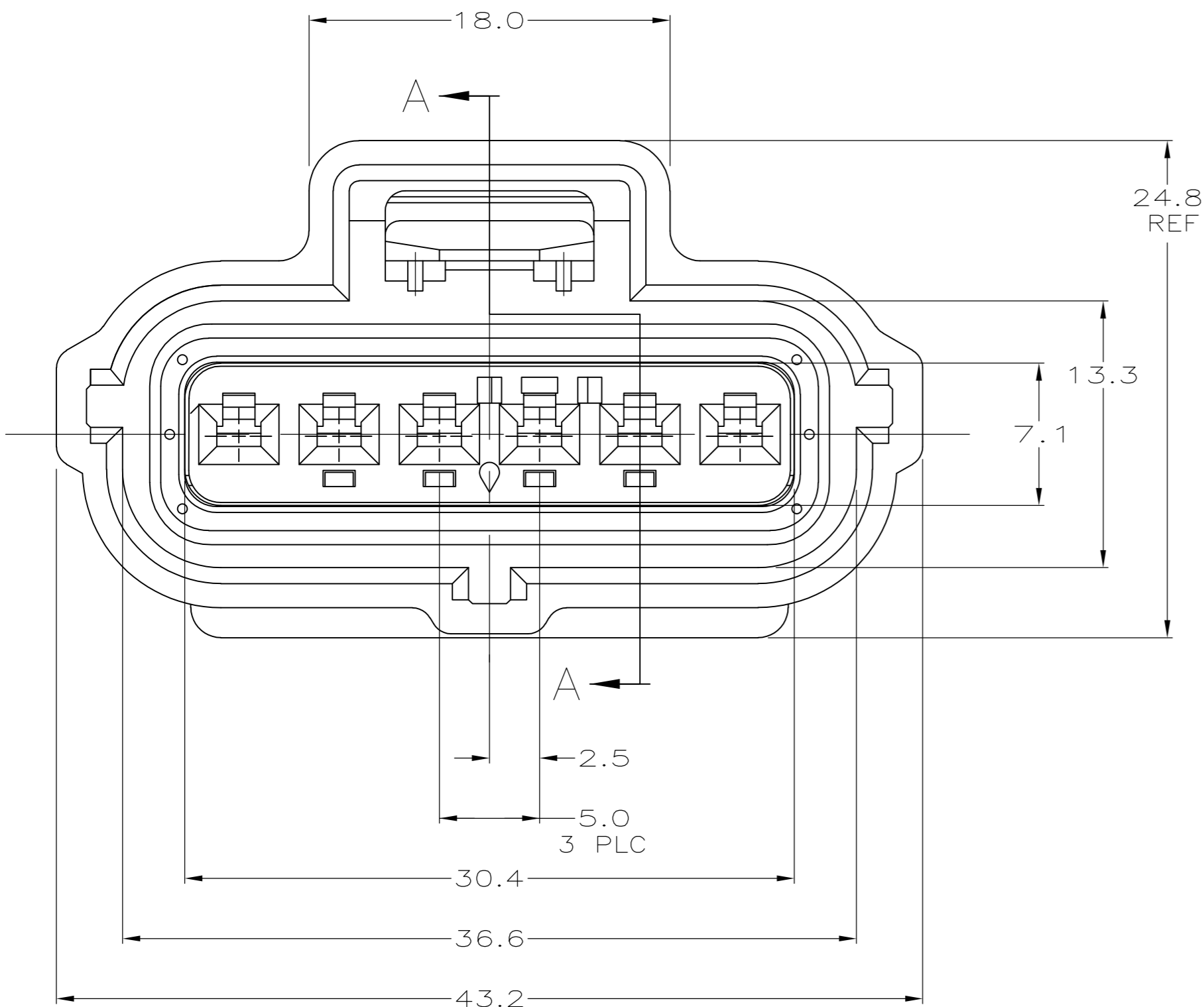


THIS DRAWING IS UNPUBLISHED. RELEASED FOR PUBLICATION
 © COPYRIGHT - By - ALL RIGHTS RESERVED.

LOC		DIST		REVISIONS			
P	LTR	DESCRIPTION		DATE	DWN	APVD	
G	16	C1	REVISED PER ECO-11-005030		11MAR11	RK	HMR



VIEW B-B



SECTION A-A

184060-1
 PART NUMBER

THIS DRAWING IS A CONTROLLED DOCUMENT.		DWN	KD LYTLE	09/22/95	STE TE Connectivity
		CHK	CT HYRB	09/29/95	
DIMENSIONS: mm		APVD	-	-	NAME
TOLERANCES UNLESS OTHERWISE SPECIFIED:		PRODUCT SPEC	-	-	1 X 6 PLG ASY KEY A-C3
0 PLC	± -	APPLICATION SPEC	-	-	-
1 PLC	± 0.3	WEIGHT	-	-	SIZE
2 PLC	± -	CUSTOMER DRAWING	-	-	A2
3 PLC	± -	SCALE	4:1	-	CAGE CODE
4 PLC	± -	SHEET	1 of 1	-	00779
ANGLES	#° -	REV	C1	-	DRAWING NO
FINISH	-	RESTRICTED TO	-	-	C=184060

单击下面可查看定价，库存，交付和生命周期等信息

[>>TE Connectivity\(泰科\)](#)