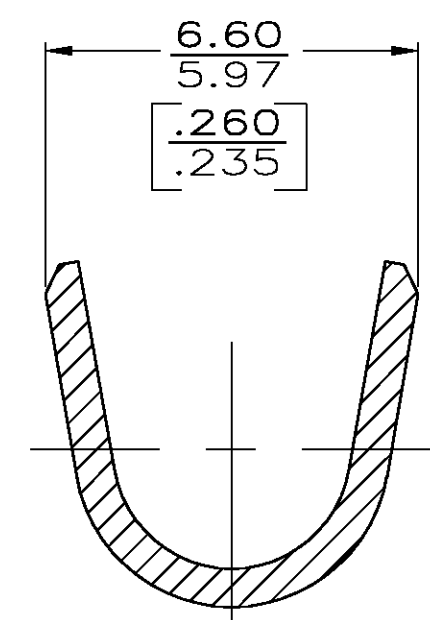
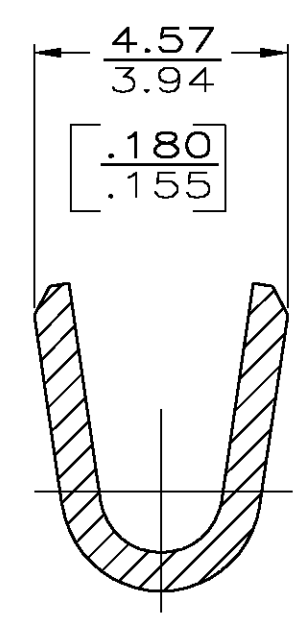
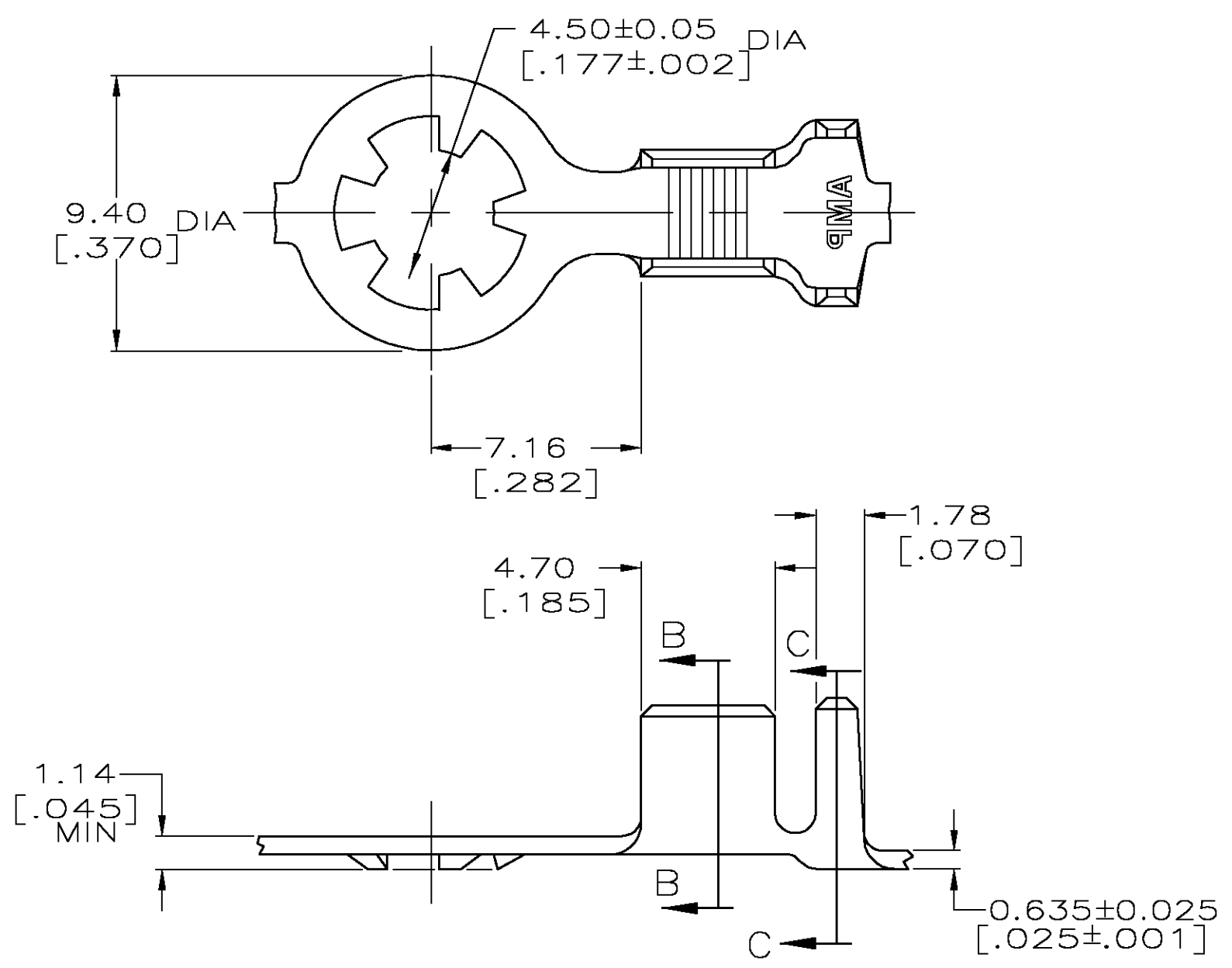


THIS DRAWING IS UNPUBLISHED. RELEASED FOR PUBLICATION
 © COPYRIGHT BY TYCO ELECTRONICS CORPORATION. ALL RIGHTS RESERVED.

LOC	DIST	REVISIONS					
		P	LTR	DESCRIPTION	DATE	DWN	APVD
AF	50		J	REV PER 0G3A-0107-05	24MAY05	JR	DD

- 1 CONTINUOUS STRIP ON REEL.
- 2 WIRE SIZE IS [#16-#12] AWG.
- 3 INSULATION RANGE IS 3.30-4.32 [.130-.170] DIA.
- △ 4 INTERLEAVING PAPER



OBSOLETE	-	△ 4 61624-3
	TIN	61624-2
	-	61624-1
	FINISH	PART NO.

TYPE	WIDTH	STRIP LENGTH	TYPE	WIDTH	HEIGHT	WIRE
F OR O	5.59 [.220]	5.56 [.219]	F	3.56 [.140]	2.36 [.093]	1.3MM ² [16]
					2.49 [.098]	3.0MM ² [12]
					2.24 [.088]	2.0MM ² [14]
					2.06 [.081]	1.3MM ² [16]
INSUL BARREL CRIMP		±0.38 [±.015]	WIRE BARREL CRIMP		±0.051 [±.002]	

THIS DRAWING IS A CONTROLLED DOCUMENT.

DWN PHIL FORTNEY 7/14/93	 Tyco Electronics Corporation Harrisburg, Pa 17105-3608
CHK JR RUTH 7/14/93	
APVD R WEAVILL 7/14/93	
PRODUCT SPEC	
DIMENSIONS: MM [INCHES]	TOLERANCES UNLESS OTHERWISE SPECIFIED:
0 PLC ± -	1 PLC ± -
1 PLC ± -	2 PLC ± 0.25 [.010]
2 PLC ± -	3 PLC ± -
3 PLC ± -	4 PLC ± -
4 PLC ± -	ANGLES ± -
MATERIAL H04 BRASS	FINISH SEE TABLE

NAME RING	SIZE A3	CAGE CODE 00779	DRAWING NO C-61624	RESTRICTED TO -
WEIGHT -	CUSTOMER DRAWING			SCALE 5:1
SHEET 1 OF 1			REV J	

单击下面可查看定价，库存，交付和生命周期等信息

[>>TE Connectivity\(泰科\)](#)