

4

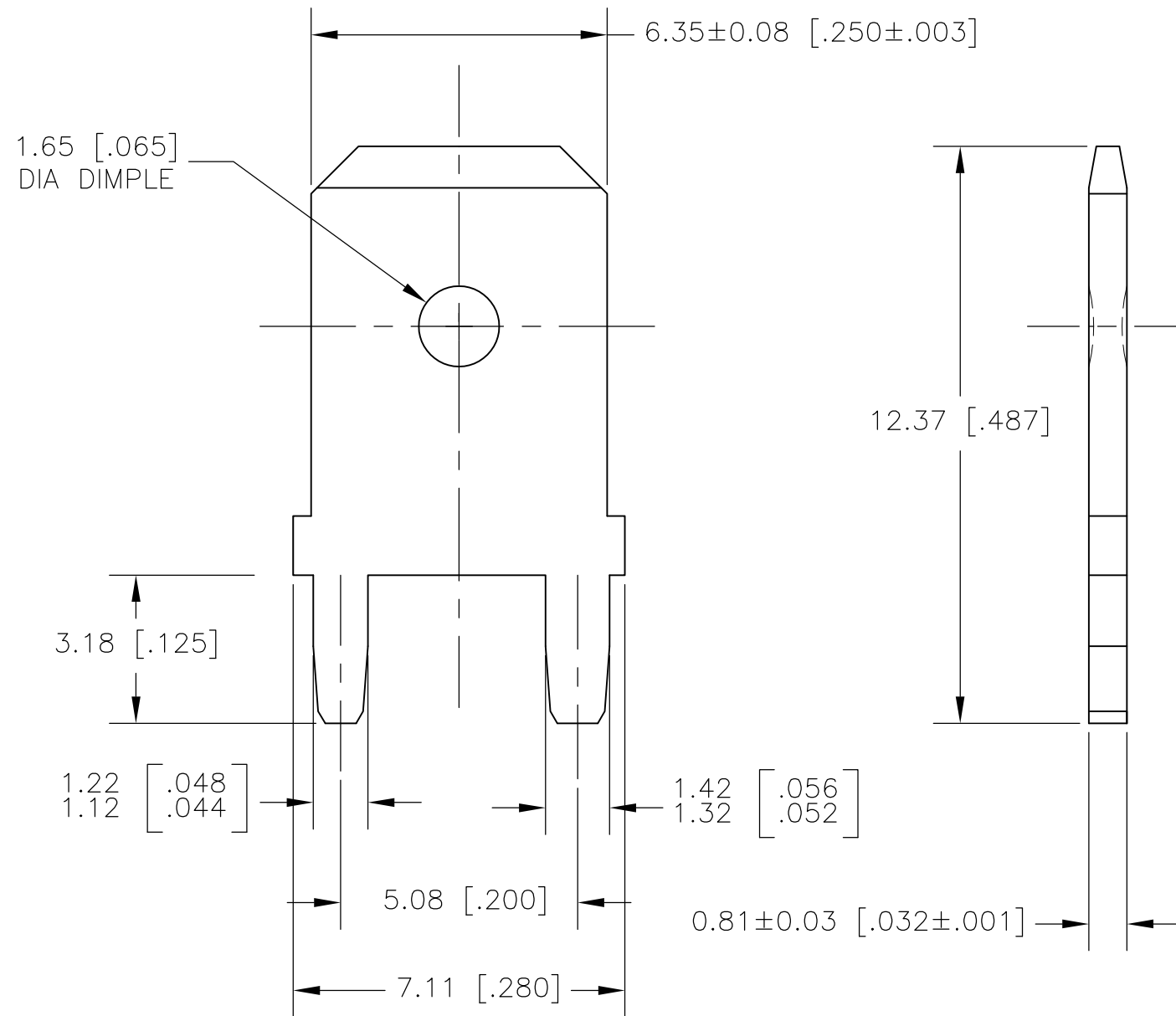
3

2

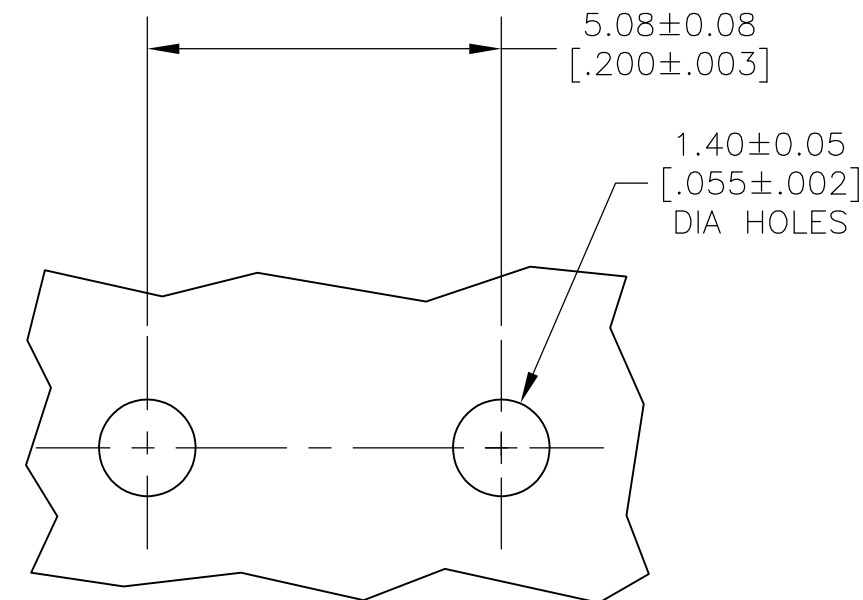
1

THIS DRAWING IS UNPUBLISHED. RELEASED FOR PUBLICATION - - -
 © COPYRIGHT - By - ALL RIGHTS RESERVED.

LOC	DIST	REVISIONS			
P	LTR	DESCRIPTION	DATE	DWN	APVD
AF	50	C	REVISED PER ECR-13-001204	28JUN13	KH PD



1 SUPPLIED IN LOOSE PIECE
 2 0.00381 [.000150] MIN TIN OVER
 0.00254 [.000100] MIN THK COPPER.



P.C. BOARD HOLES
 SCALE 10:1

1217382-1
 PART NUMBER

THIS DRAWING IS A CONTROLLED DOCUMENT.		DWN JR RUTH 28MAR01	TE Connectivity		
DIMENSIONS: mm [INCHES]		CHK MS FEHER 28MAR01			
TOLERANCES UNLESS OTHERWISE SPECIFIED:		APVD N DEIBERT 28MAR01	NAME TAB, FASTON, PC BOARD, 6.35 [.250] SERIES		
0 PLC ± - 1 PLC ± - 2 PLC ± 0.25[.010] 3 PLC ± - 4 PLC ± - ANGLES ± -		PRODUCT SPEC -	RESTRICTED TO -		
MATERIAL BRASS	FINISH TIN OVER COPPER	WEIGHT -	SIZE A3	CAGE CODE 00779	DRAWING NO C-1217382
CUSTOMER DRAWING			SCALE 8:1	SHEET 1 OF 1	REV C

单击下面可查看定价，库存，交付和生命周期等信息

[>>TE Connectivity\(泰科\)](#)