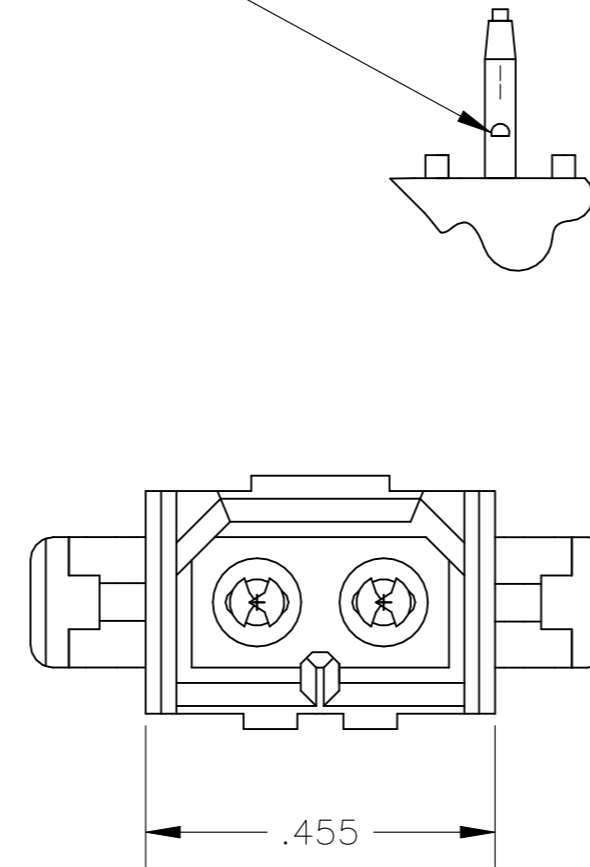
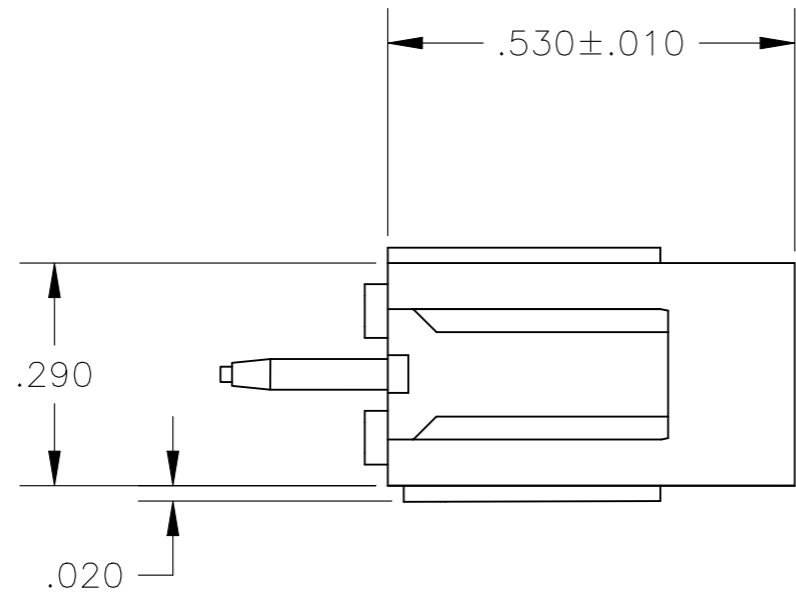
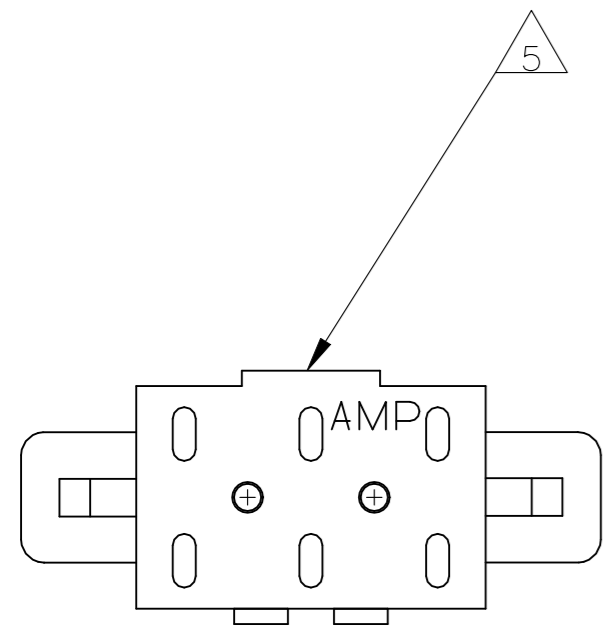
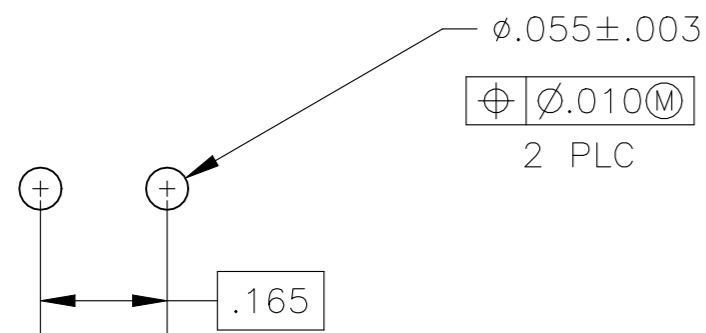
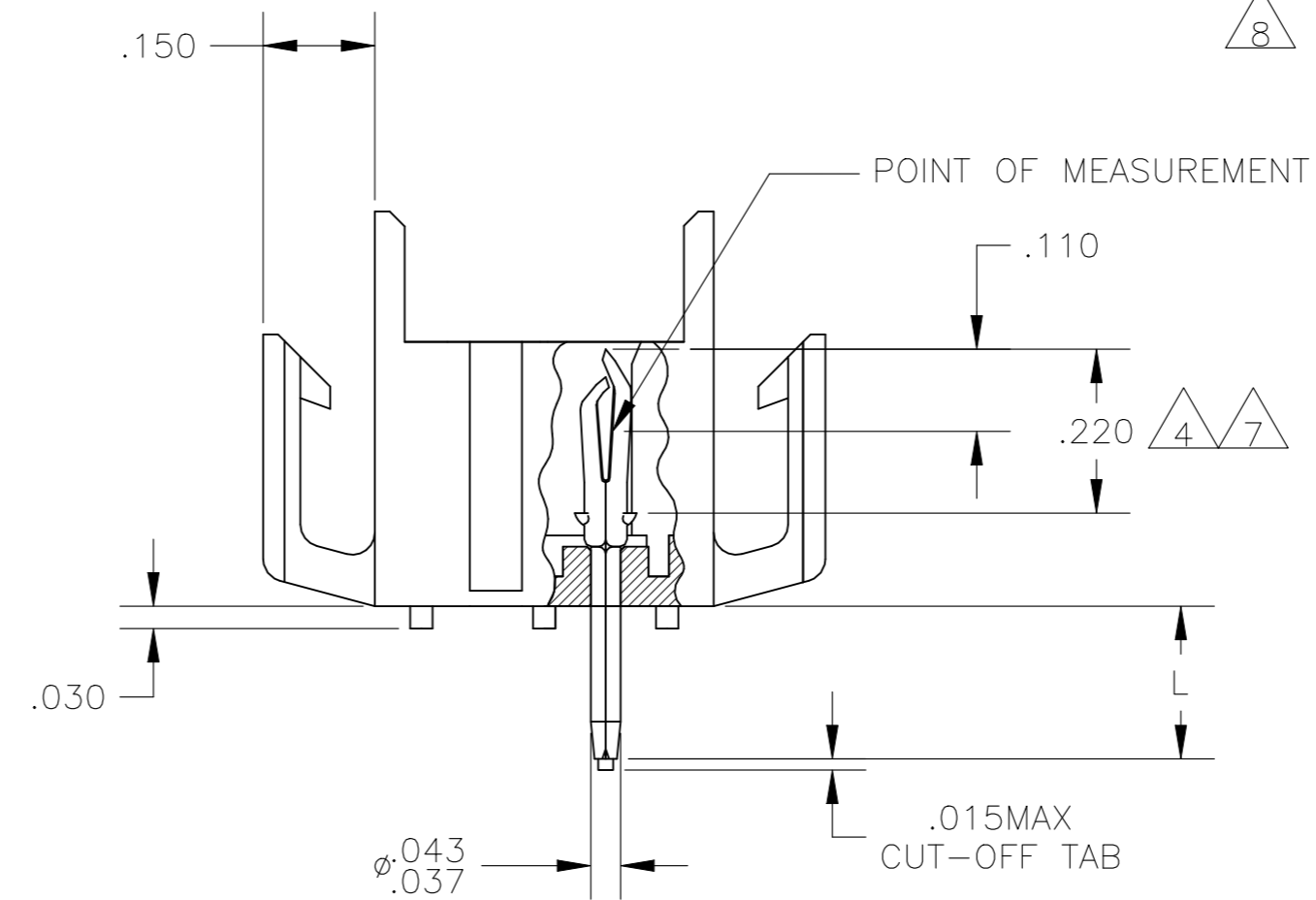


REVISIONS				
P	LTR	DESCRIPTION	DATE	APVD
R		REVISED PER ECO-21-005962	19MAY2021	RK MZ

ANTI SOLDER WICKING TAB



1. FITS SOCKET HOUSING 640517.
2. ASSEMBLY CONFORMS TO AMP SOLDERABILITY SPEC. 109-11-3.
3. FOR USE WITH .063 THICK P.C. BOARD.
4. CONTACT IS PLATED OVERALL WITH .000050 NICKEL, THEN .000030 GOLD OVER CONTACT LENGTH INDICATED AND .000150 MATTE TIN-LEAD ON SOLDER TAIL END.
5. UL AND CSA LOGO LOCATED ON THIS SURFACE.
6. FOR USE WITH .120 THICK P.C. BOARD.
7. CONTACT IS PLATED OVERALL WITH .000050 NICKEL, THEN .000030 GOLD OVER CONTACT LENGTH INDICATED AND .000150 MATTE TIN ON SOLDER TAIL END.
8. HOUSING MATERIAL: PA66, BLACK, UL 94 V-0 RATED
CONTACT MATERIAL: PHOSPHOR BRONZE



RECOMMENDED P.C. BOARD LAYOUT

IN	MM	IN	MM
.043	1.09	.530	13.46
.037	0.94	.455	11.56
.030	0.76	.290	7.37
.020	0.51	.220	5.59
.015	0.38	.210	5.33
.010	0.25	.165	4.19
.008	0.20	.150	3.81
.005	0.13	.110	2.79
.003	0.08	.063	1.60
.000050	0.00127	.055	1.40

CONVERSION TABLE

.210	6	GOLD	7	2-640497-4
.150	3	GOLD	7	2-640497-2
.210	6	GOLD	4	640497-4
.210	6	PRE-TIN		640497-3
.150	3	GOLD	4	640497-2
.150	3	PRE-TIN		640497-1
"L" +.010 -.020		PIN FINISH		PART NUMBER

THIS DRAWING IS A CONTROLLED DOCUMENT.

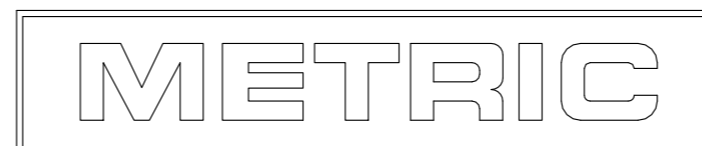
DWN	J. HUFFMAN	27APR98
CHK	R. SWING	27APR98
APVD	T. BEDDICK	27APR98

TE Connectivity

NAME: HEADER ASSEMBLY, PIN, 2 POSITION, MR.

SIZE	A2	CAGE CODE	00779	DRAWING NO	C-640497	RESTRICTED TO	-
SCALE	4:1	SHEET	1 of 1	REV	R		

CUSTOMER DRAWING



640497

B

A

单击下面可查看定价，库存，交付和生命周期等信息

[>>TE Connectivity\(泰科\)](#)