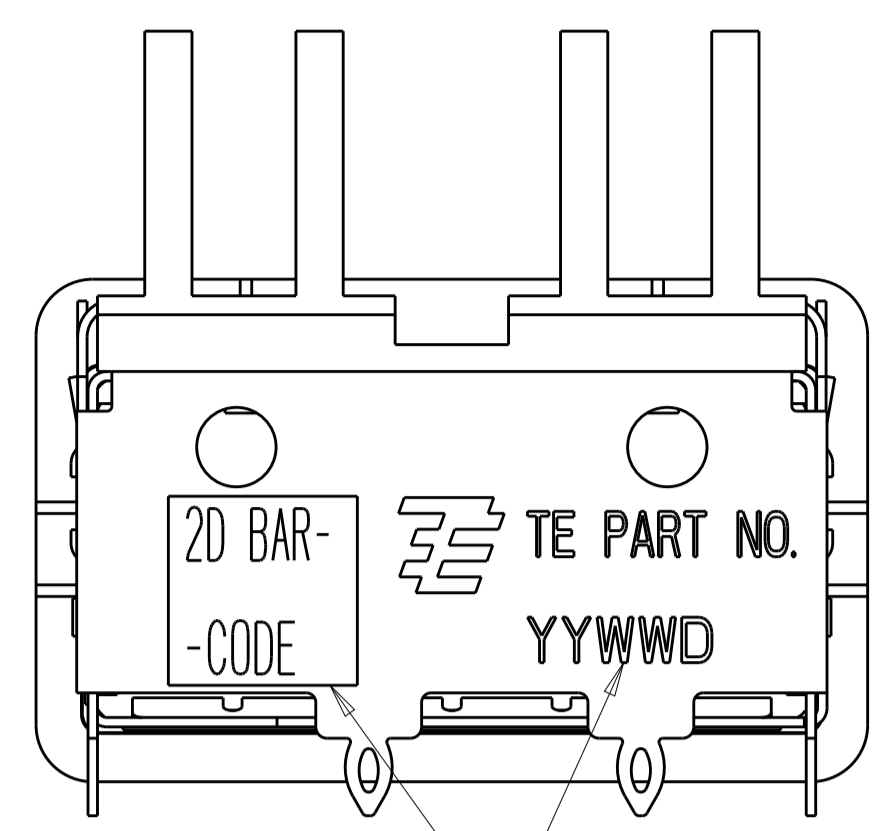
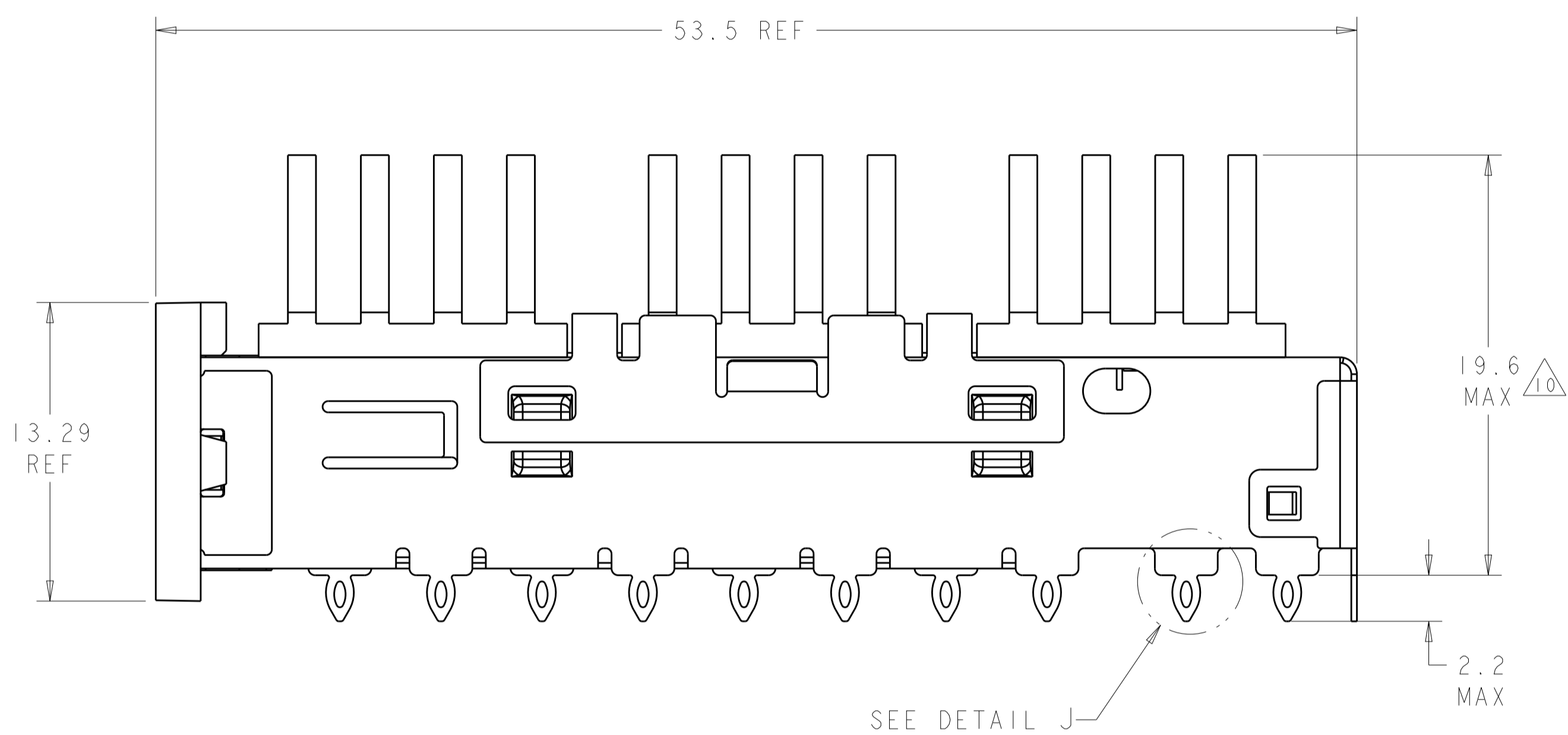
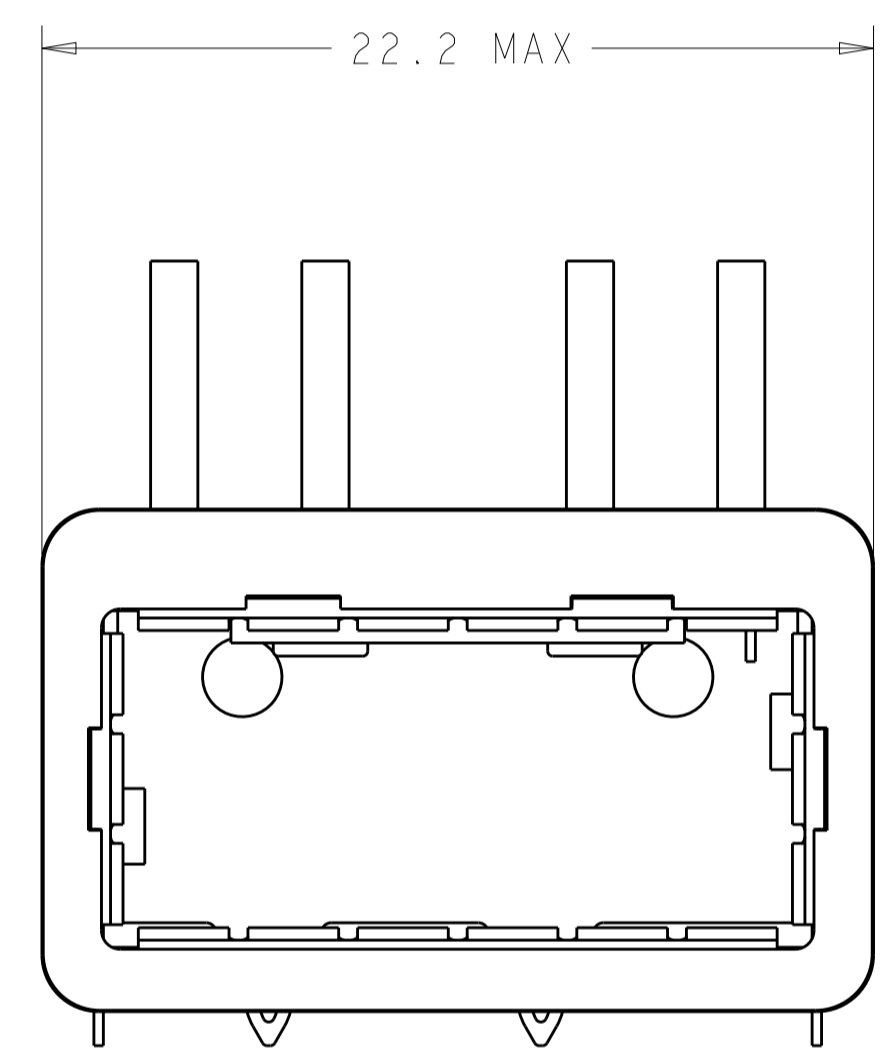
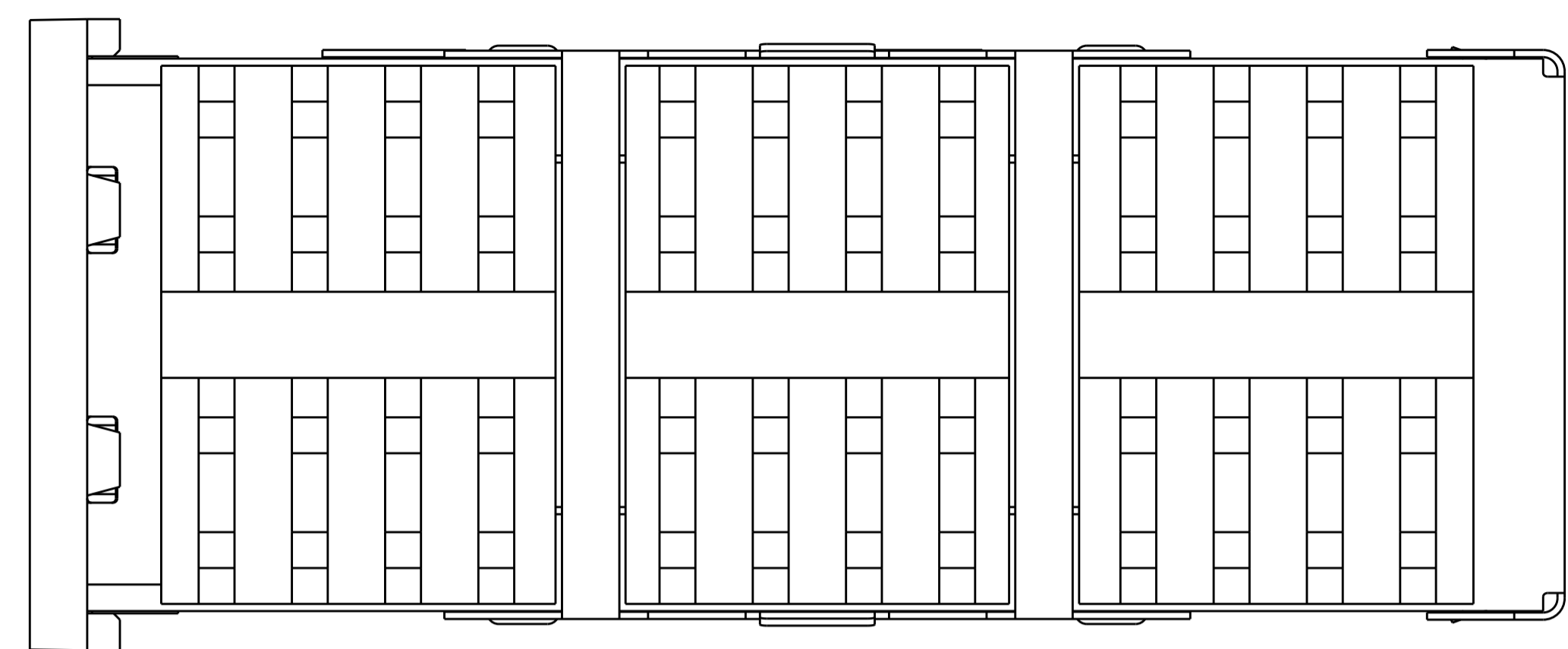


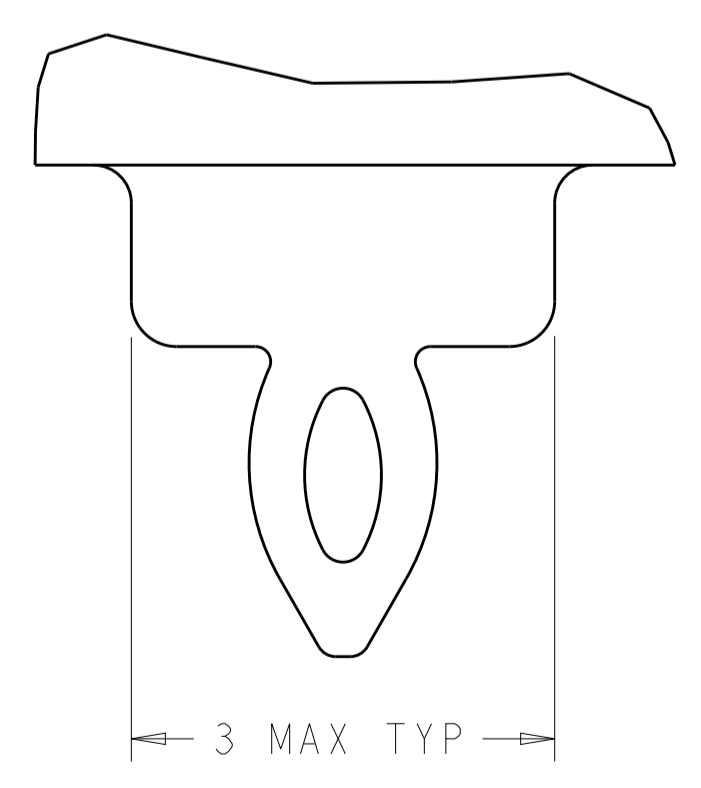
LOC	DIST	REVISIONS					
GP	00	P	LTN	DESCRIPTION	DATE	DWN	APVD
		A		RELEASED PER ECO-09-022107	29SEP2009	ZMR	JRP
		A1		REVISED PER ECO-14-018993	3APR2015	RG	MC



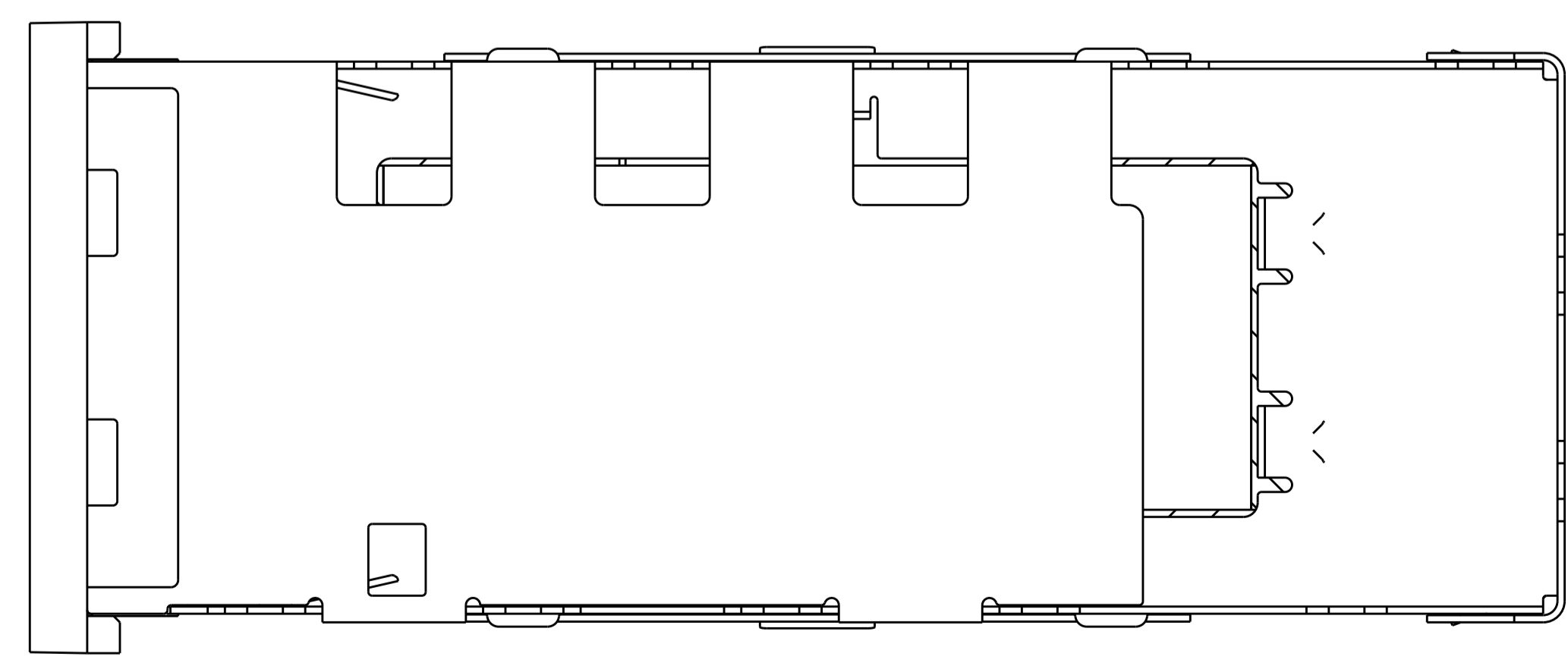
BACK VIEW
 2D BARCODE AND DATE CODE



SEE DETAIL J

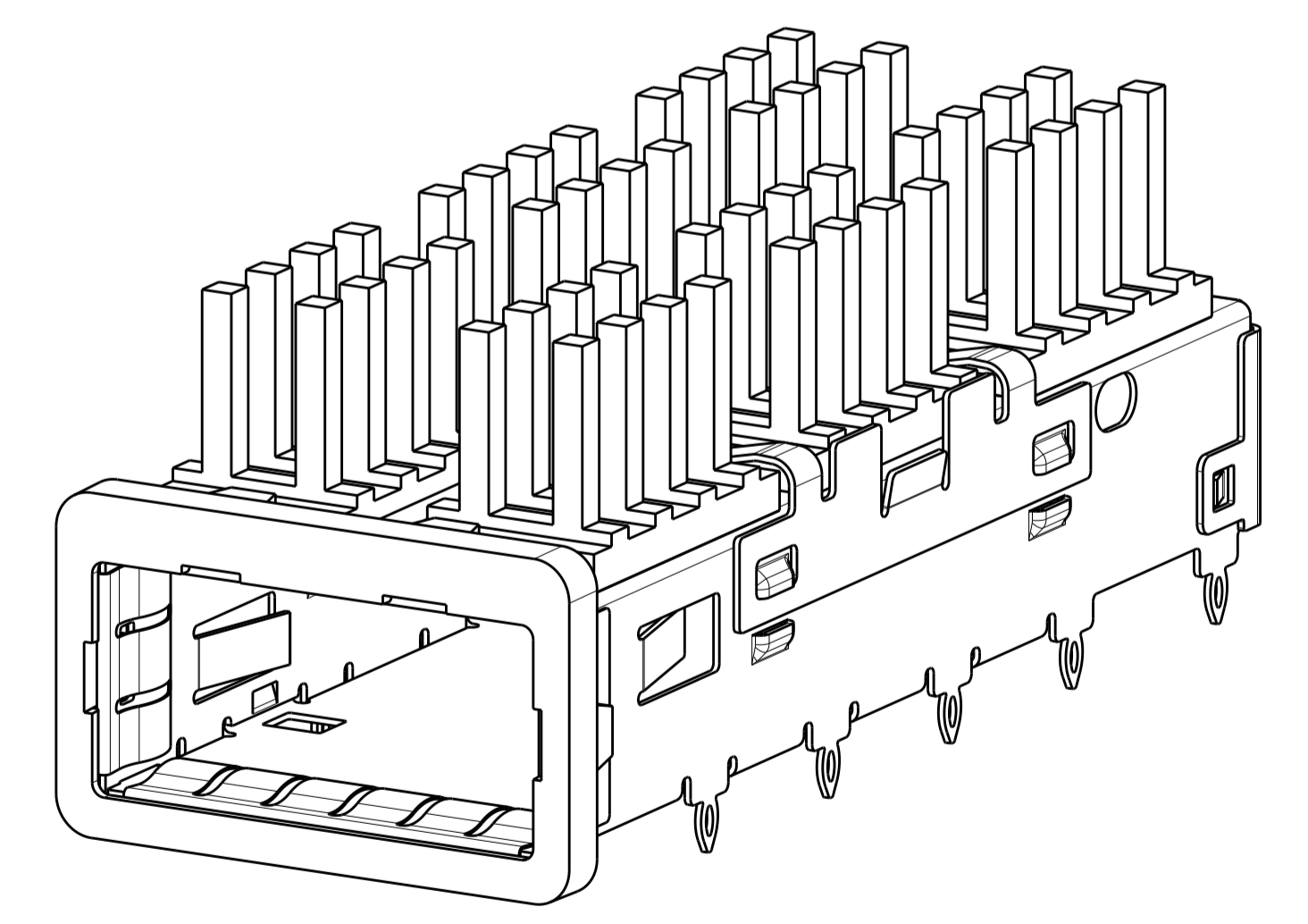


DETAIL J
 SCALE 20:1



1. MATERIAL:
 CAGE - NICKEL SILVER, 0.25 THICK
 HEAT SINK - ALUMINUM
 HEAT SINK CLIP - STAINLESS STEEL
 EMI SPRING - COPPER ALLOY
 FRONT FLANGE - ZINC ALLOY

- 2. MINIMUM PITCH DIMENSION.
- 3. MATES WITH QSFP MSA COMPATIBLE TRANSCEIVER.
- 4. REFERENCE APPLICATION SPEC 114-13218 FOR RECOMMENDED DRILL HOLE DIAMETER AND PLATING THICKNESS.
- 5. DATUMS AND BASIC DIMENSIONS ESTABLISHED BY CUSTOMER.
- 6. DIMENSION C IS THE NOMINAL THICKNESS OF CUSTOMER SUPPLIED PC BOARD.
 SINGLE SIDED PC BOARD MINIMUM THICKNESS = 1.45
 DOUBLE SIDED PC BOARD MINIMUM THICKNESS = 2.7
- 7. HEAT SINK AND CLIP SHIPPED ASSEMBLED TO CAGE ASSEMBLY, CAGE ASSEMBLY MAY BE PRESSED INTO THE PCB AS SHIPPED.
- 8. DATUM -A- IS TOP SURFACE OF HOST BOARD.
- 9. SURFACE TRACES PERMITTED WITHIN THIS AREA EXCEPT WHERE CAGE STANDOFFS, SHOWN IN DETAIL J, CONTACT PC BOARD.
- 10. DIMENSION APPLIES WITH MODULE INSTALLED IN THE CAGE.
- 11. 2D BARCODE AND DATE CODE (YYWWD) MARKED ON BACK OF CAGE.
- 12. FINISH:
 EMI SPRING: 2µm MIN TIN.
 HEAT SINK FINISH: 0.76µm MIN NICKEL.
 FRONT FLANGE: 3µm MIN TIN OVER 1.27µm MIN NICKEL OVER 5.08µm MIN COPPER.
- 13. PRODUCT HAS NOT COMPLETED QUALIFICATION TESTING.

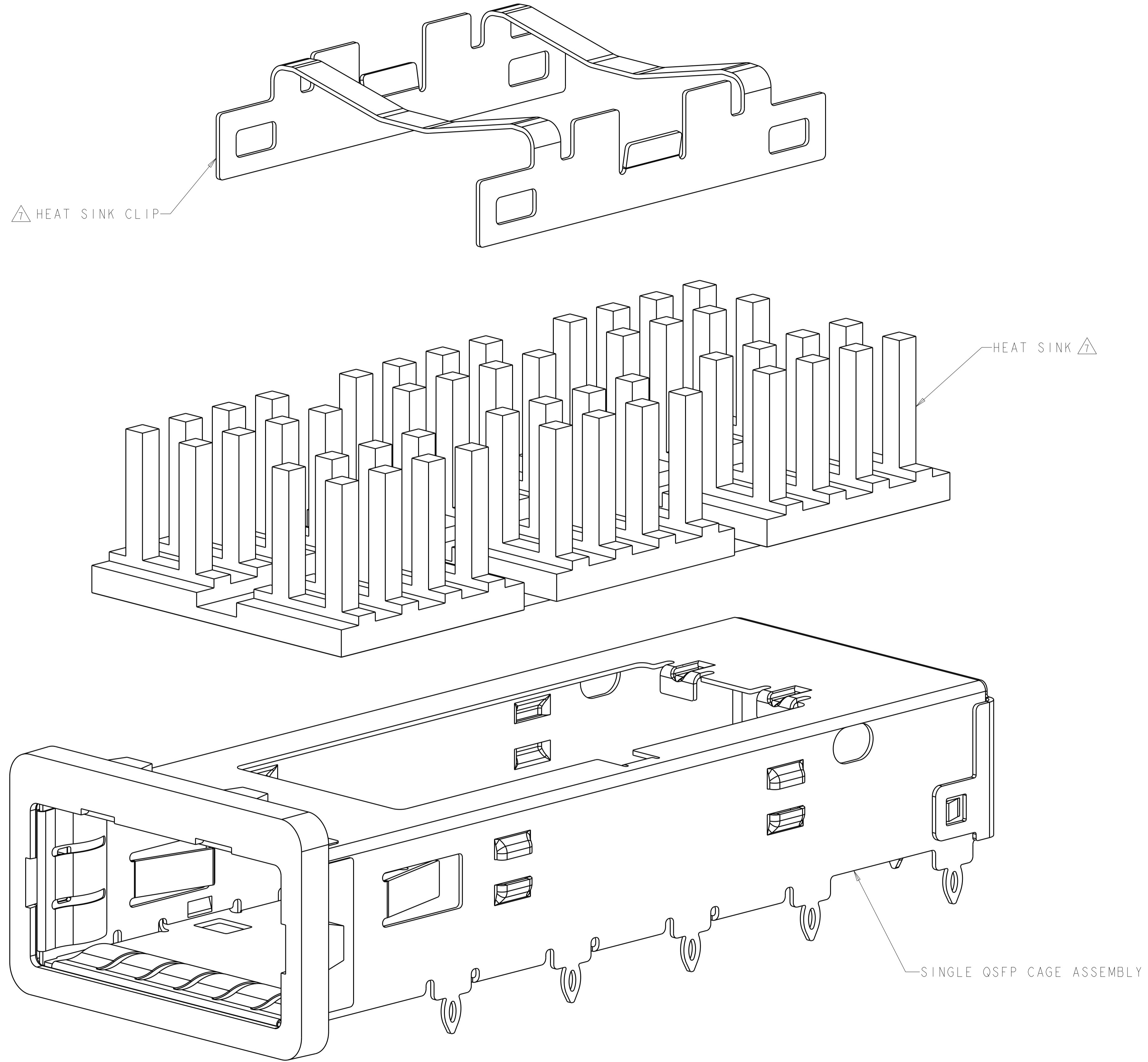


2057855-1
 SCALE 4:1

2057855-1
 PART NUMBER

DIMENSIONS: mm 		TOLERANCES UNLESS OTHERWISE SPECIFIED: 0 PLC ±.5 1 PLC ±0.13 2 PLC ±0.013 3 PLC ±0.0001 4 PLC ±.0001 ANGLES ±.0001		DWN Z.M. BEAM 06DEC2008 CHK J.R. PETERSON 06DEC2008 APVD B.H. WERTZ 06DEC2008		Tyco Electronics Harrisburg, PA 17105-3608	
MATERIAL 		FINISH 		PRODUCT SPEC 108-2286		NAME QSFP CAGE ASSEMBLY, BEHIND BEZEL WITH HEAT SINK	
CUSTOMER DRAWING		WEIGHT -		APPLICATION SPEC 114-13218		SIZE CAGE CODE DRAWING NO A1 00779 C=2057855	
SCALE 5:1		SHEET 1 OF 5		REV A1		RESTRICTED TO	

LOC	DIST	REVISIONS			
P	LTN	DESCRIPTION	DATE	DWN	APVD
GP	00	SEE SHEET 1			

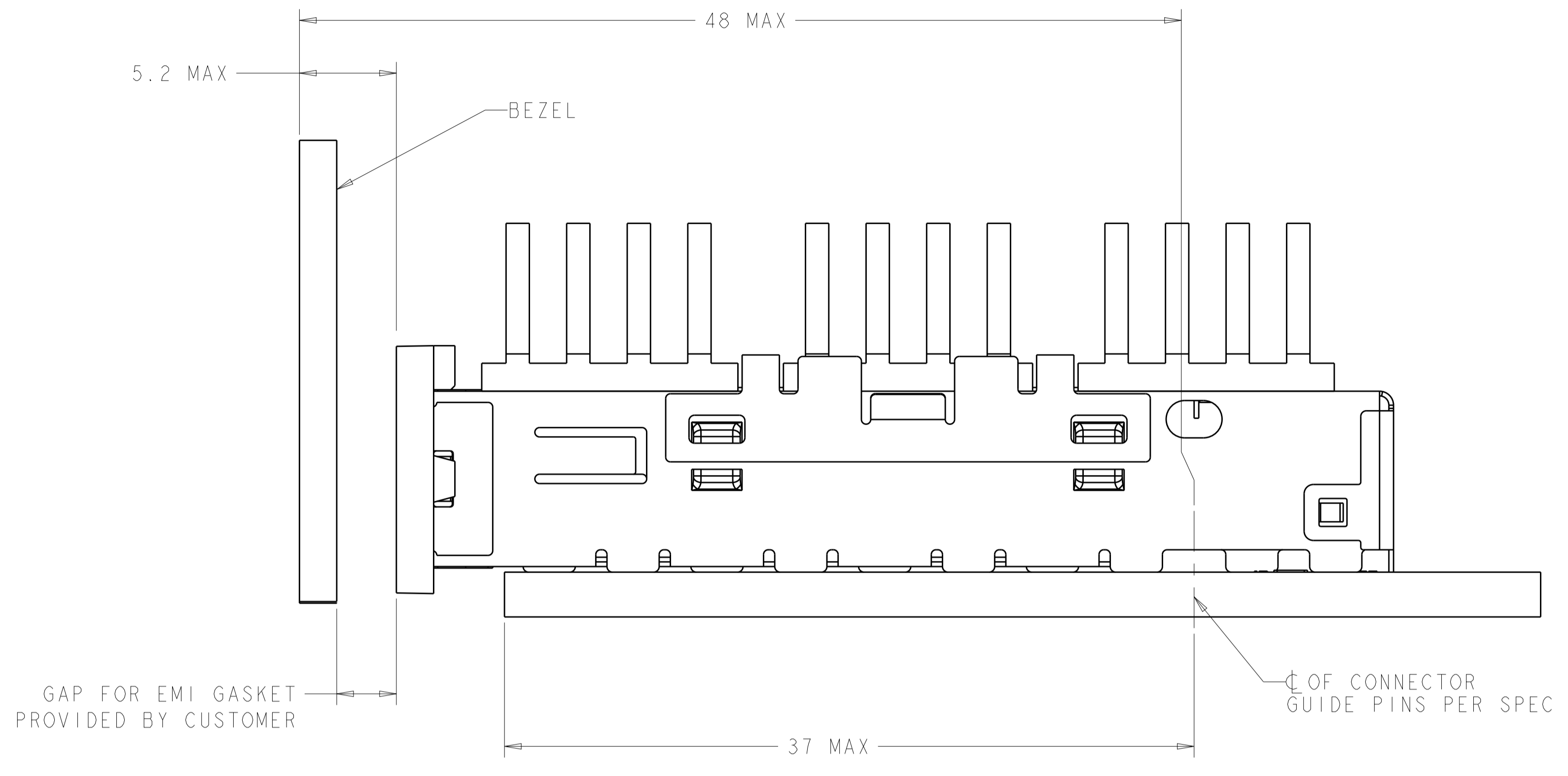
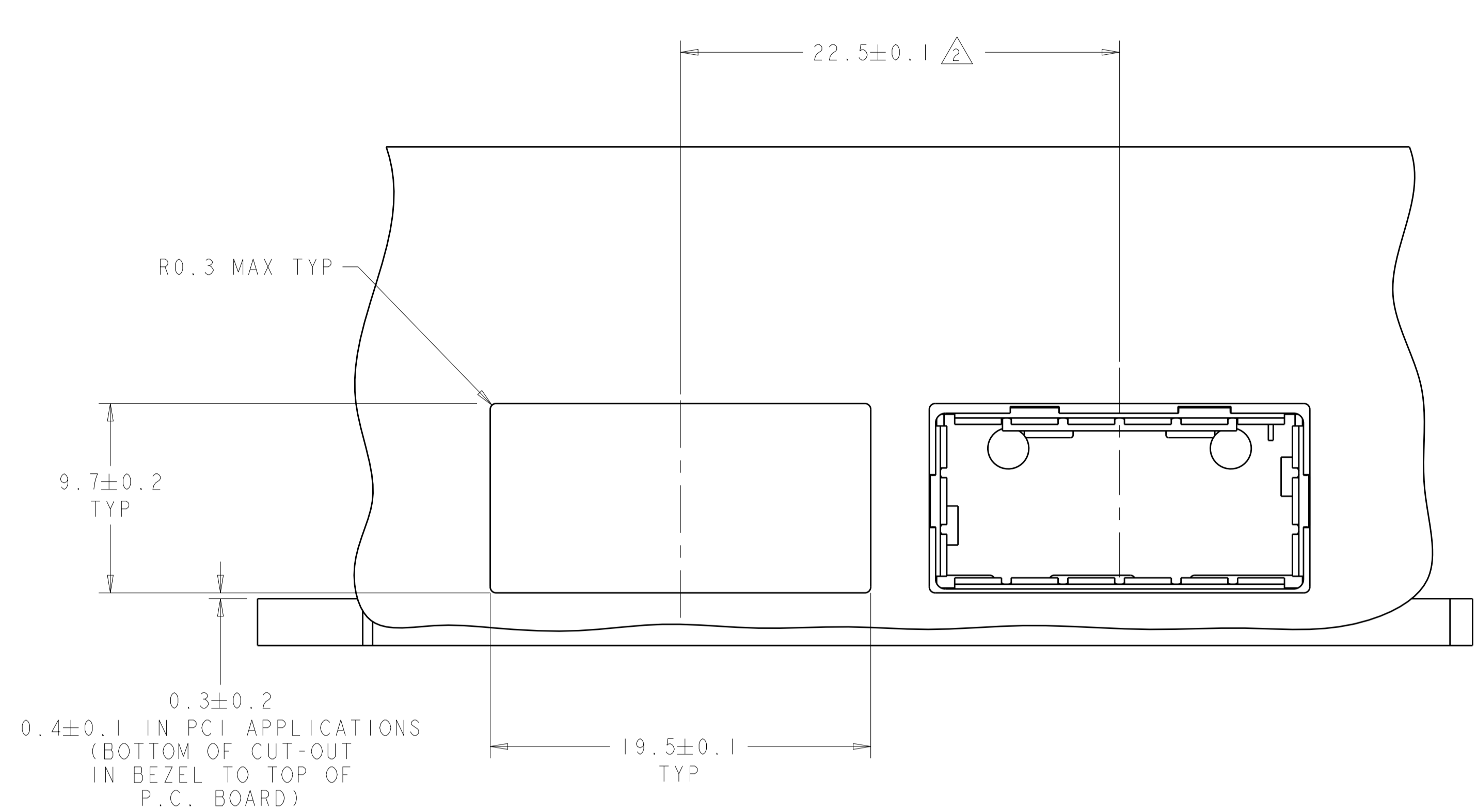


EXPLODED VIEW
 SCALE 8:1

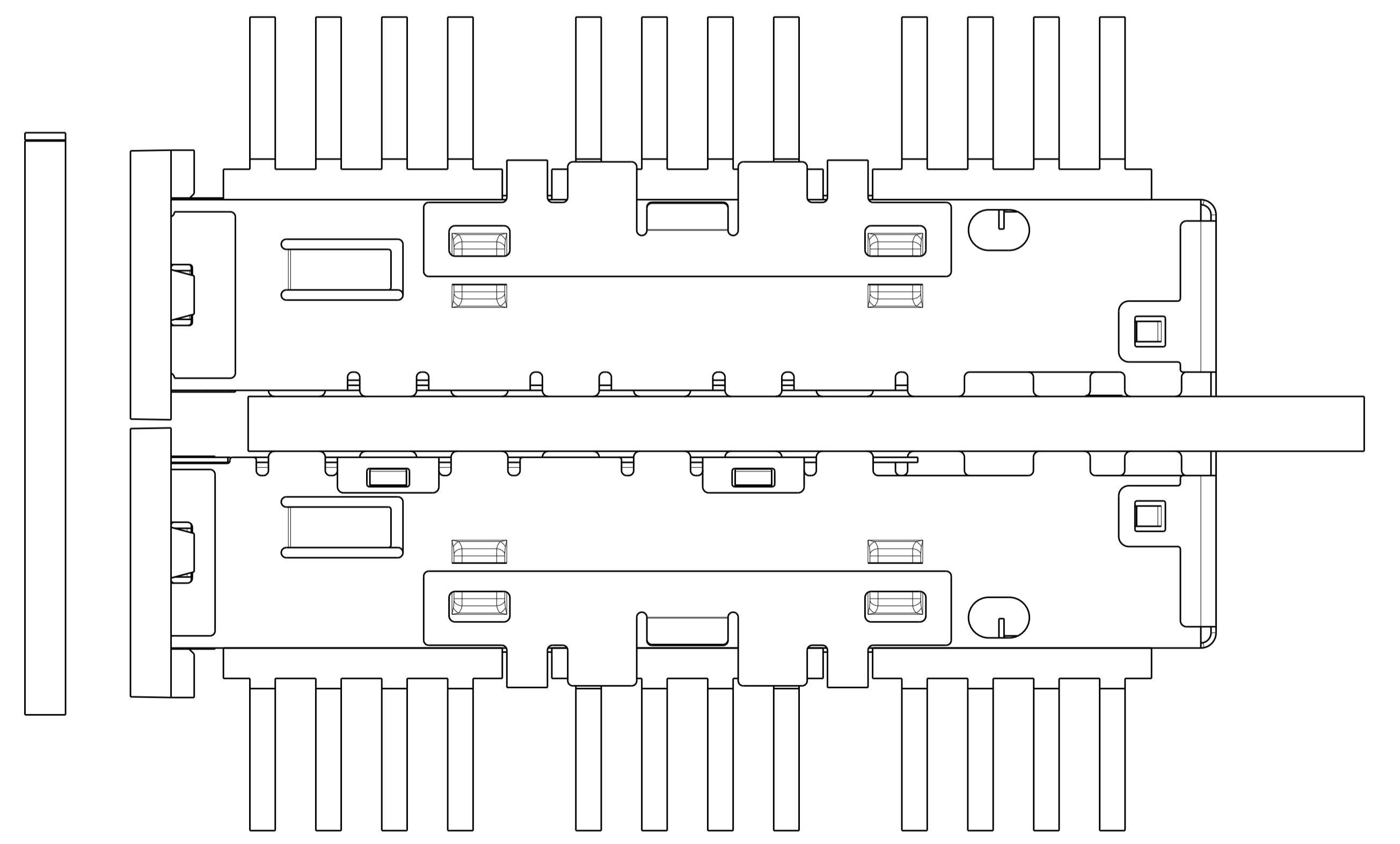
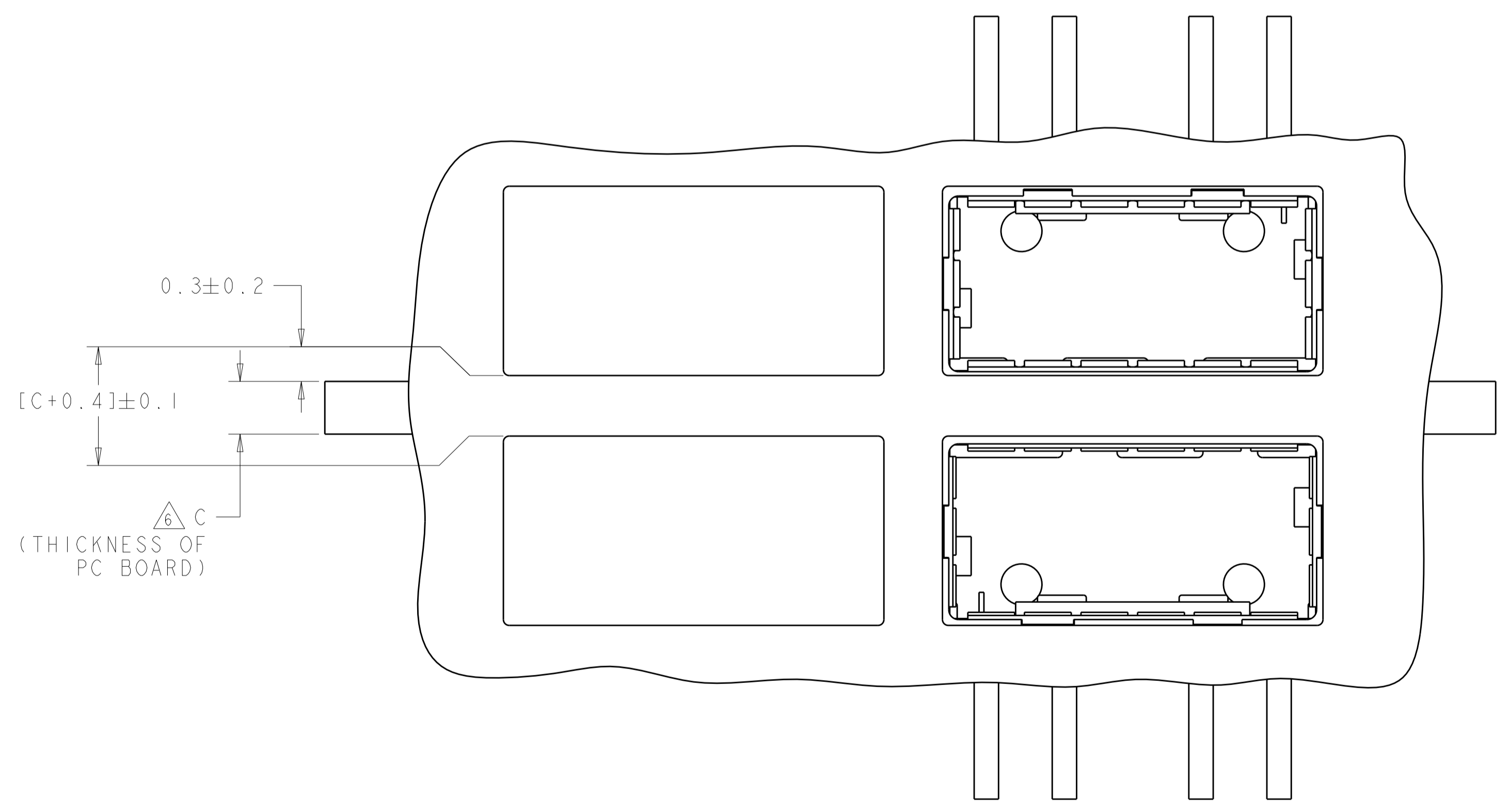
<small>THIS DRAWING IS UNPUBLISHED. RELEASED FOR PUBLICATION 2008. IT IS THE PROPERTY OF TYCO ELECTRONICS CORPORATION. IT IS TO BE USED ONLY FOR THE PURPOSES AND IN THE ORGANIZATION SPECIFIED BY THE CUSTOMER. ANY OTHER USE IS STRICTLY PROHIBITED. CONTACT TYCO ELECTRONICS CORPORATION FOR MORE INFORMATION.</small>		DWN: Z.M. BEAM 06DEC2008 CHK: J.R. PETERSON 06DEC2008 APVD: B.H. WERTZ 06DEC2008	Tyco Electronics Harrisburg, PA 17105-3608
DIMENSIONS: mm 	TOLERANCES UNLESS OTHERWISE SPECIFIED: 0 PLC ±.5 1 PLC ±0.13 2 PLC ±0.013 3 PLC ±0.001 4 PLC ±.0001 ANGLES ±.1	NAME: QSFP CAGE ASSEMBLY, BEHIND BEZEL WITH HEAT SINK PRODUCT SPEC: 108-2286 APPLICATION SPEC: 114-13218 WEIGHT: -	SIZE: A CAGE CODE: 00779 DRAWING NO: C=2057855 RESTRICTED TO: -
MATERIAL: -	FINISH: -	WEIGHT: -	SCALE: 5:1 SHEET 2 OF 5 REV: A1
CUSTOMER DRAWING			

LOC	DIST	REV	DATE	BY	APPV
GP	00				

REVISIONS			
NO.	DESCRIPTION	DATE	BY
-	SEE SHEET 1	-	-



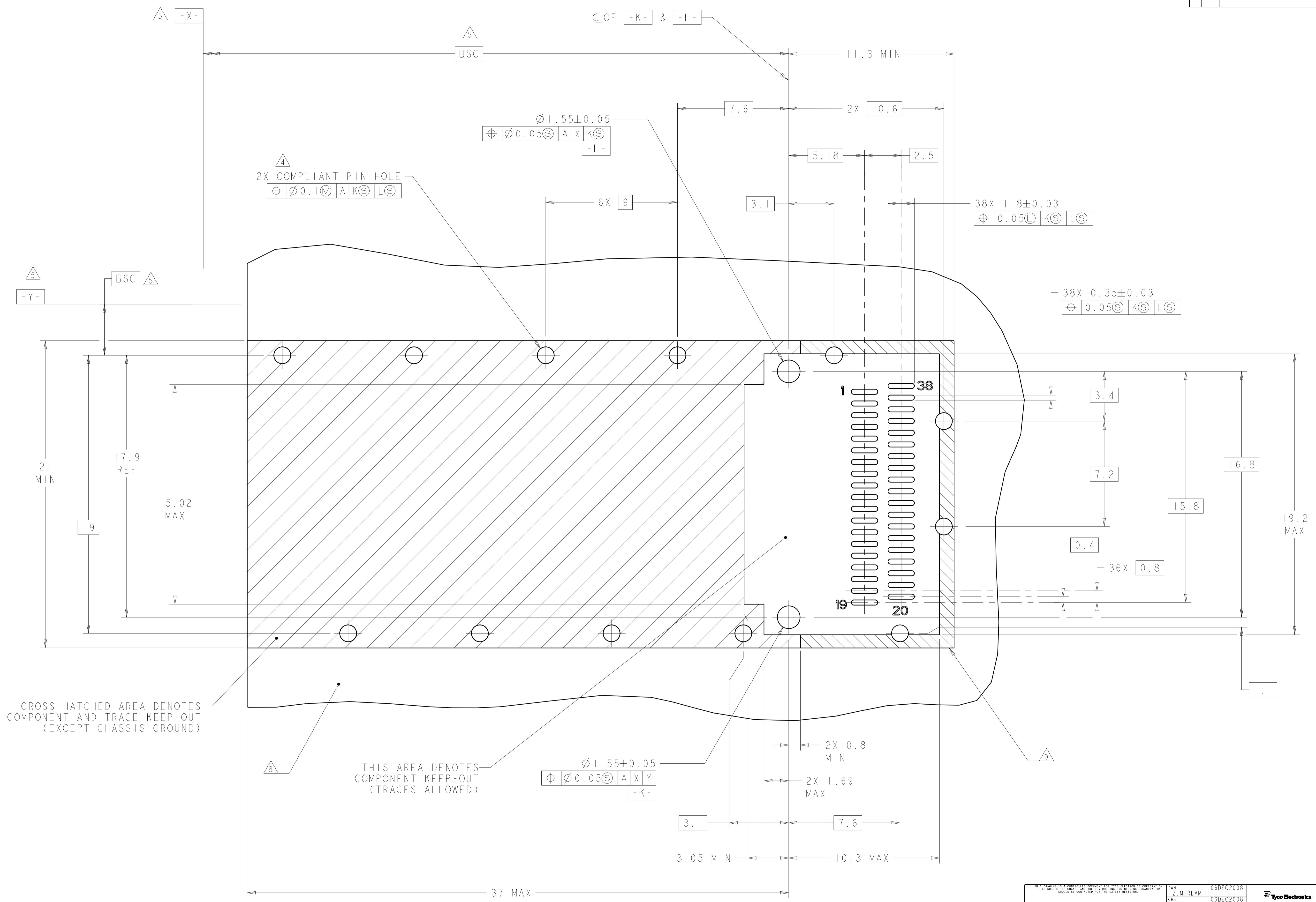
ONE SIDED CONFIGURATION



BELLY TO BELLY CONFIGURATION
 SIMILAR TO ONE SIDED EXCEPT
 WHERE NOTED

<small>THIS DRAWING IS UNPUBLISHED. RELEASED FOR PUBLICATION 2008 BY TYCO ELECTRONICS CORPORATION. ALL RIGHTS RESERVED.</small>		DWN: Z.M. REAM 06DEC2008 CHK: J.R. PETERSON 06DEC2008 APV: B.H. WERTZ 06DEC2008	Tyco Electronics Harrisburg, PA 17105-3608
DIMENSIONS: mm 		TOLERANCES UNLESS OTHERWISE SPECIFIED: 0 PLC ±.5 1 PLC ±0.13 2 PLC ±0.13 3 PLC ±0.013 4 PLC ±0.0001 ANGLES ±.1	NAME: QSFP CAGE ASSEMBLY, BEHIND BEZEL WITH HEAT SINK PRODUCT SPEC: 108-2286 APPLICATION SPEC: 114-13218 WEIGHT: - CUSTOMER DRAWING
MATERIAL: - FINISH: -		SIZE: A1 CAGE CODE: 00779 DRAWING NO: 2057855	RESTRICTED TO: - SCALE: 5:1 SHEET: 3 OF 5 REV: A1

LOC	DIST	REV	DATE	BY	APPV
GP	00				
REVISIONS			DESCRIPTION	DATE	DWN
			SEE SHEET 1		



CROSS-HATCHED AREA DENOTES COMPONENT AND TRACE KEEP-OUT (EXCEPT CHASSIS GROUND)

THIS AREA DENOTES COMPONENT KEEP-OUT (TRACES ALLOWED)

Ø1.55±0.05
 Ø0.05S AX Y
 -K-

RECOMMENDED PCB LAYOUT
 SINGLE SIDED CONFIGURATION
 SCALE 8:1

<small>THIS DRAWING IS UNPUBLISHED. RELEASED FOR PUBLICATION 2008. IT IS THE PROPERTY OF TYCO ELECTRONICS CORPORATION. IT IS SUBJECT TO CHANGE AND WITHOUT WARRANTY. REVISIONS SHOULD BE CONTACTED FOR THE LATEST REVISION.</small>		DWN: Z.M. BEAM 06DEC2008 CHK: J.R. PETERSON 06DEC2008 APPV: B.H. WERTZ 06DEC2008	Tyco Electronics Harrisburg, PA 17105-3608
DIMENSIONS: mm 	TOLERANCES UNLESS OTHERWISE SPECIFIED: 0 PLC ±.5 1 PLC ±0.13 2 PLC ±0.13 3 PLC ±0.013 4 PLC ±0.0001 ANGLES ±.1	NAME: QSFP CAGE ASSEMBLY, BEHIND BEZEL WITH HEAT SINK	RESTRICTED TO: -
MATERIAL: -	FINISH: -	PRODUCT SPEC: 108-2286 APPLICATION SPEC: 114-13218 WEIGHT: - CUSTOMER DRAWING	SCALE: 4:1 SHEET: 4 OF 5 REV: A1

单击下面可查看定价，库存，交付和生命周期等信息

[>>TE Connectivity\(泰科\)](#)