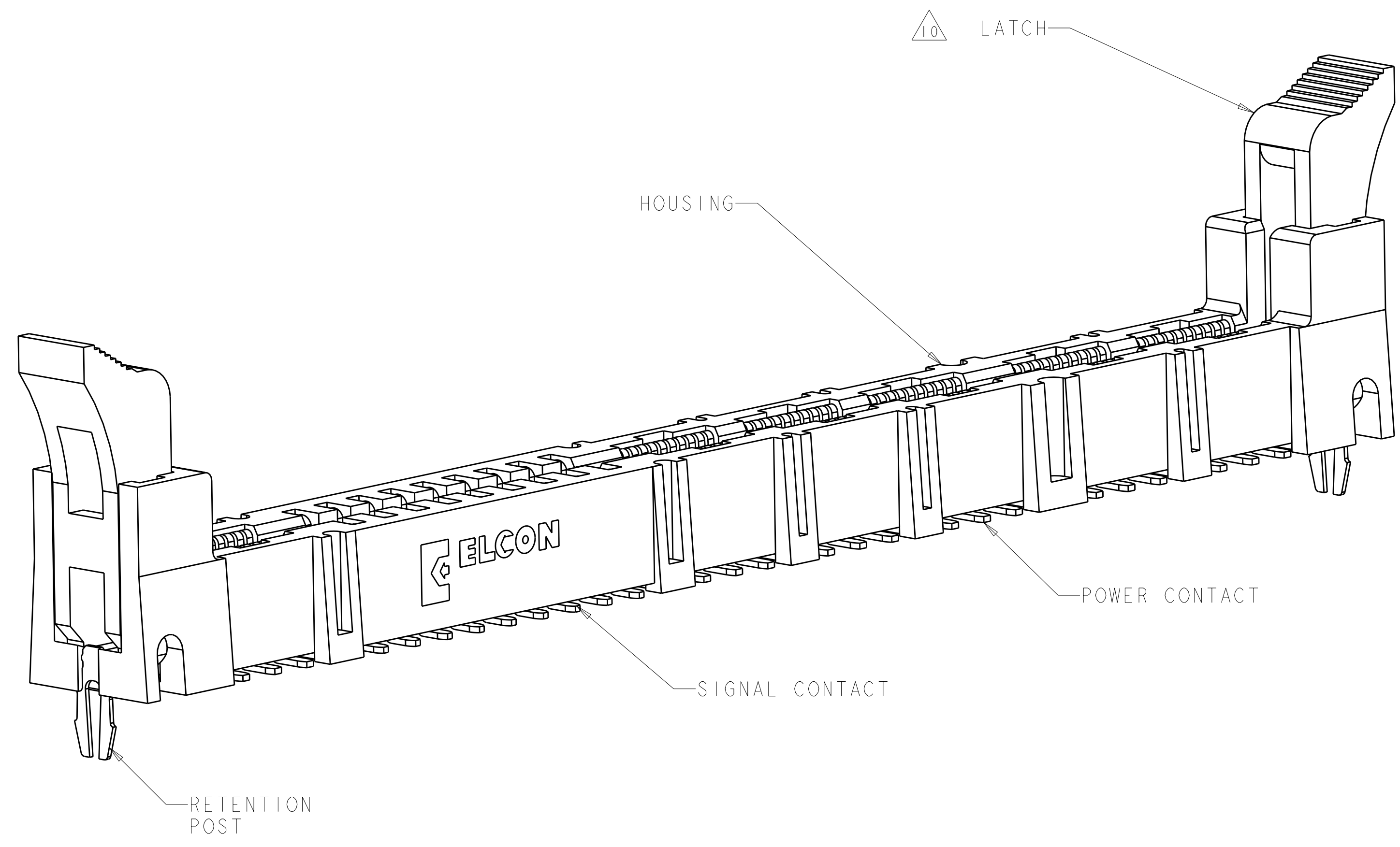


| LOC | DIST | REV | DATE                  | BY        | APPD  |
|-----|------|-----|-----------------------|-----------|-------|
| GP  | 00   | C   | REV PER ECO-08-031583 | 19DEC2008 | RG PD |

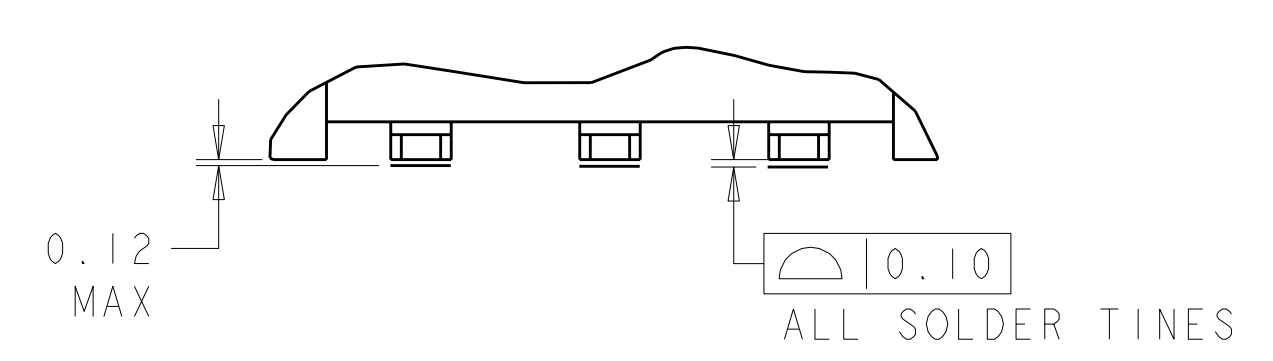
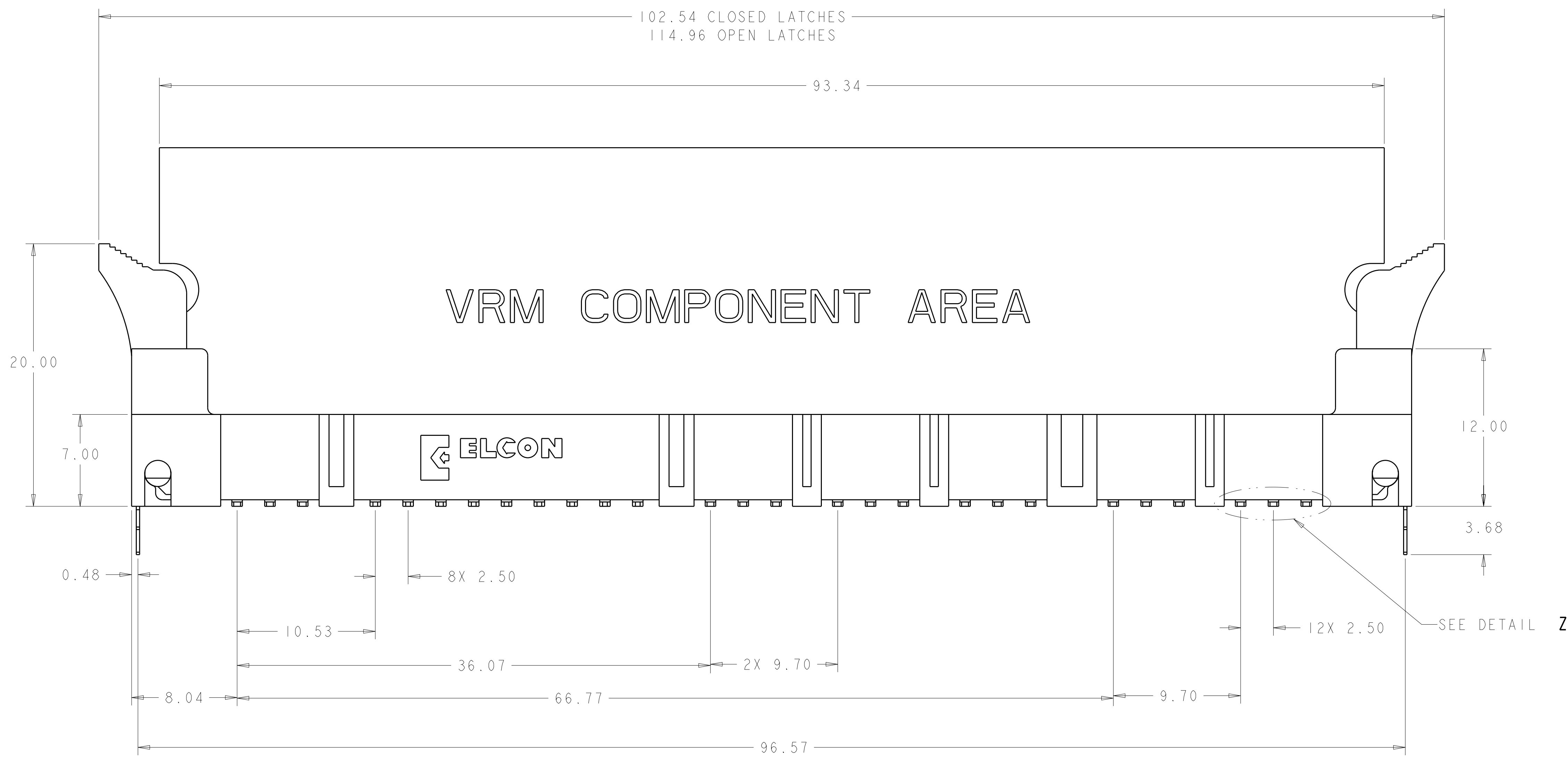
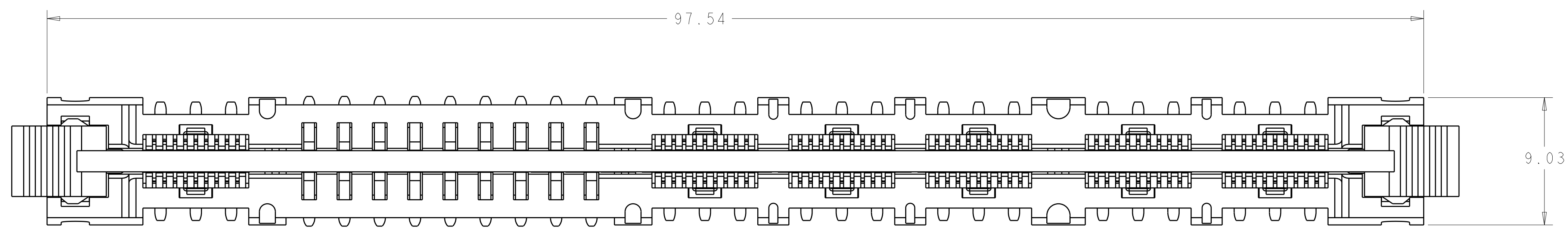


1. PART NUMBER CHANGES AND OR DESIGN CHANGES AFFECTING ITEM INTERCHANGEABILITY REQUIRE PRIOR TYCO ELECTRONICS APPROVAL AND AUTHORIZATION BY REVISION TO THIS DRAWING.
2. MATERIAL:  
 HOUSING: GLASS FILLED POLYESTER, COLOR-BLACK  
 UL94V-0 FLAMMABILITY RATED  
 LATCHES: THERMOPLASTIC, GLASS REINFORCED  
 COLOR: BLACK, UL94V-0 FLAMMABILITY RATED  
 CONTACTS: COPPER ALLOY  
 RETENTION POST: COPPER ALLOY
3. FINISH:  
 SIGNAL CONTACTS:  
 MATING AREA-0.76µm MIN GOLD OVER 3.81µm MIN NICKEL  
 0.64µm MIN NICKEL PLATE OVER REMAINDER  
 SMT TAILS-3.81µm MIN MATTE TIN OVER NICKEL PLATE  
 POWER CONTACTS:  
 1.27µm MIN NICKEL PLATE ALL OVER  
 MATING AREA-0.76µm MIN GOLD OVER NICKEL PLATE  
 SMT TAILS-3.05µm MIN TIN OVER NICKEL PLATE  
 RETENTION POSTS:  
 3.05µm MIN MATTE TIN OVER 0.63µm MIN NICKEL
4. ITEMS PROVIDED TO THIS SPECIFICATION TO BE PERMANENTLY IDENTIFIED WITH PART NUMBER AND DATE CODE.
5. MAXIMUM BURR OF 0.013 ON CARD TAB AREA.
6. SET TRACE BACK FROM PC BOARD EDGE. NO SOLDERMASK ALLOWED BETWEEN PC BOARD EDGE AND TRACE.
7. CONNECTOR ACCEPTS 1.57±0.13 THICK PC BOARD.
8. KEEP OUT AREA FOR COMPONENTS ONLY.
9. FEATURE REQUIRED FOR USE WITH LATCH.
10. CAUTION:  
 LATCHES ARE INTENDED FOR RETENTION OF PC BOARD TO CONNECTOR. DO NOT ATTEMPT TO FULLY EJECT PC BOARD FROM CONNECTOR WHILE DISENGAGING LATCHES, DAMAGE TO LATCHES AND OR CONNECTOR MAY OCCUR.
11. RECOMMENDED GOLD FINGER LENGTH FOR RELIABLE CONTACT.
12. DATUMS AND BASIC DIMENSIONS ESTABLISHED BY CUSTOMER.
13. FOR DESIGN OBJECTIVES SEE 108-2301.

|             |           |
|-------------|-----------|
| AS SHOWN    | 1766336-1 |
| DESCRIPTION | PART NO.  |

|                       |  |   |  |   |  |  |  |
|-----------------------|--|---|--|---|--|--|--|
| DIMENSIONS:<br>mm<br> |  | TOLERANCES UNLESS OTHERWISE SPECIFIED:<br>9 PLC ±.5<br>7 PLC ±.5<br>5 PLC ±.25<br>4 PLC ±.1<br>ANGLES ±0.0000<br>FINISH ±.5 |  | DWN HA/GRZYBOWSKI 01/25/05<br>CHK P.DAMATO<br>APVD CHAU/PERCHERAE 06/28/06<br>NAME PRODUCT SPEC<br>APPLICATION SPEC<br>WEIGHT<br>CUSTOMER DRAWING |  | Tyco Electronics<br>Harrisburg, PA 17105-3608<br>SOCKET CONNECTOR ASSEMBLY<br>W/LATCHES<br>MC-P6S9 MINI CROWN EDGE<br>SIZE CAGE CODE DRAWING NO<br>A1100779C=1766336<br>SCALE 5:1 SHEET 1 OF 4 REV C |  |
|-----------------------|--|---|--|---|--|--|--|

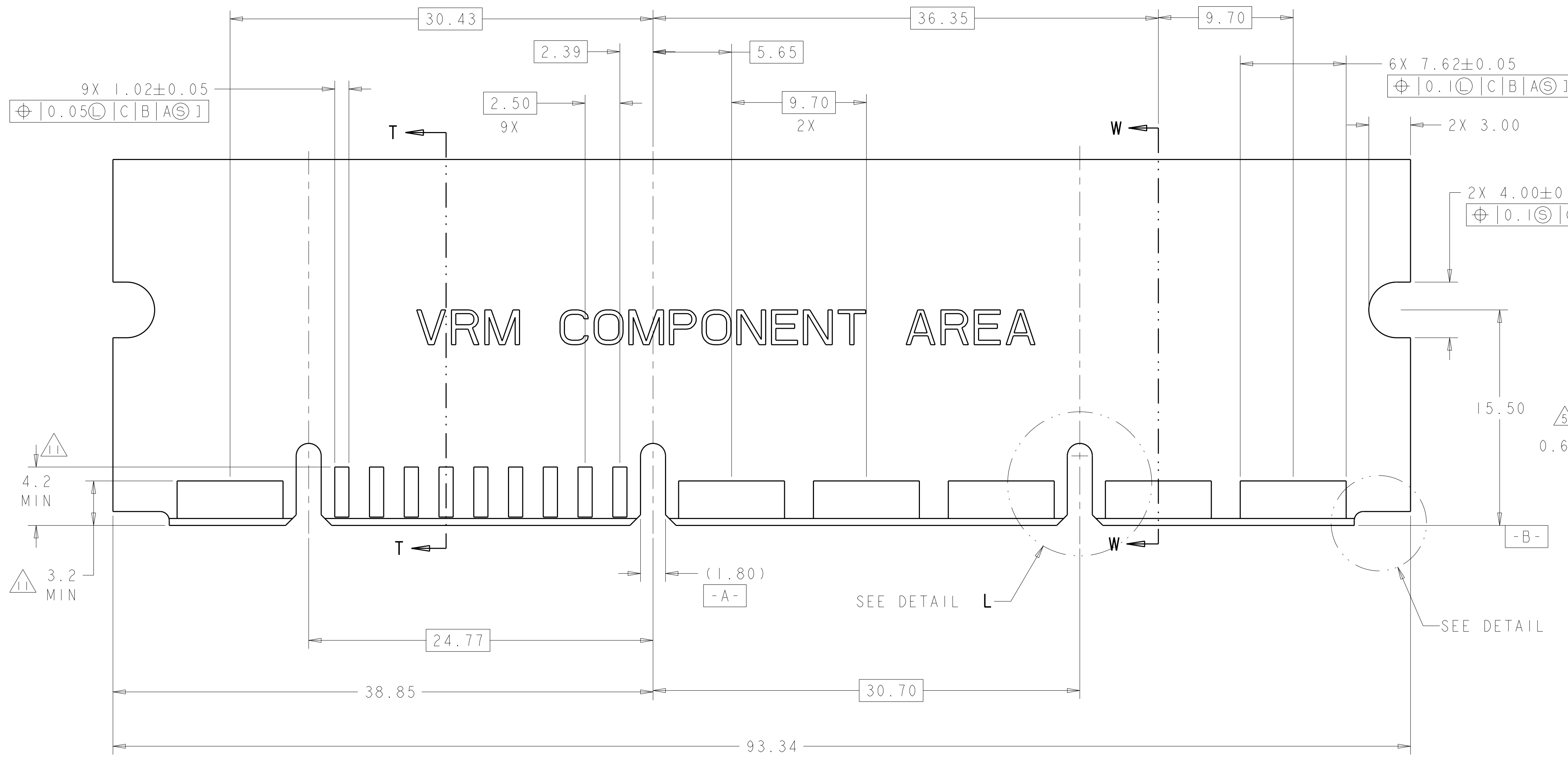
| LOC       | DIST | REV | DATE | BY | APPD |
|-----------|------|-----|------|----|------|
| GP        | 00   |     |      |    |      |
| REVISIONS |      |     |      |    |      |
|           |      |     |      |    |      |
|           |      |     |      |    |      |
|           |      |     |      |    |      |



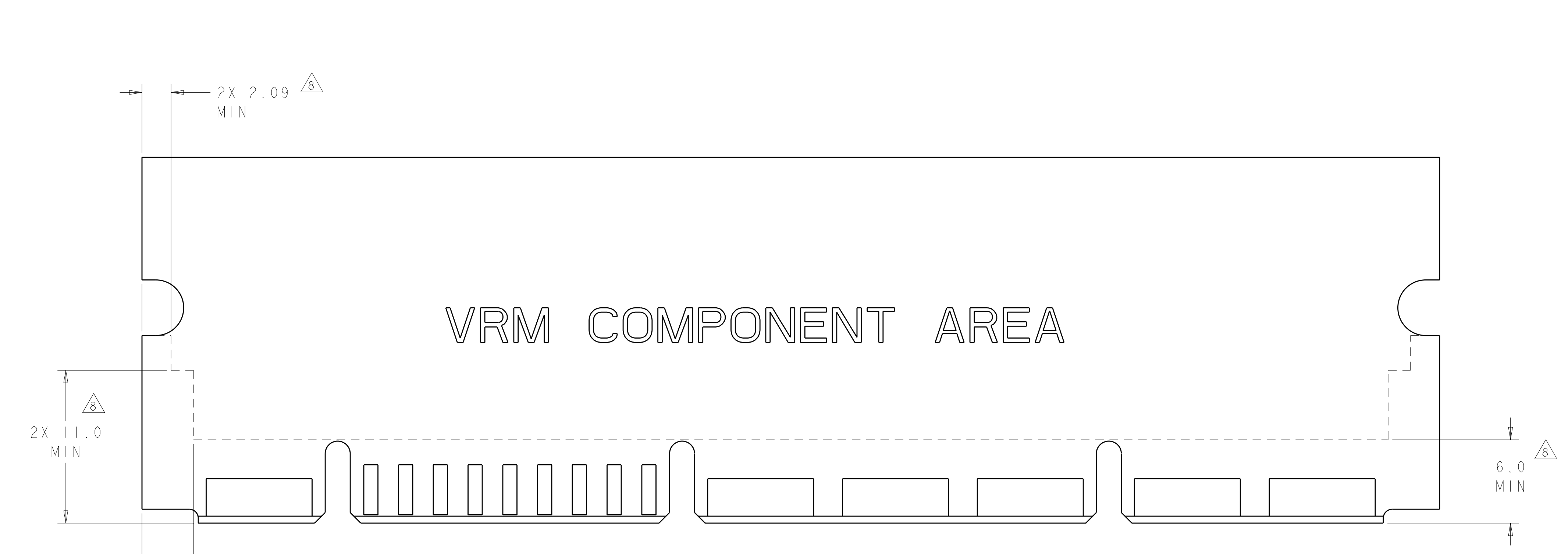
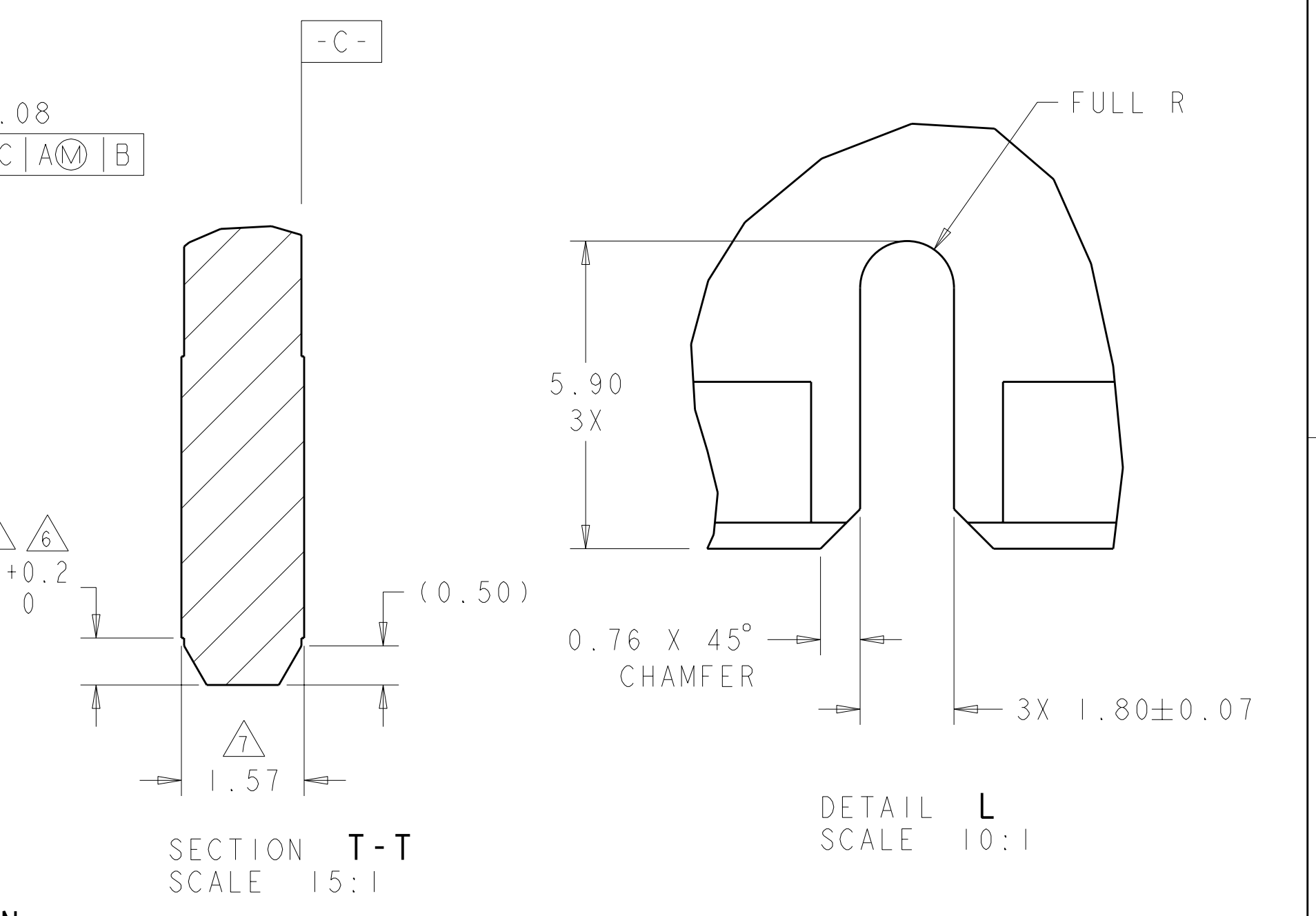
DETAIL Z  
SCALE 10:1

|   |   |  |   |
|---|---|--|---|
| <small>THIS DRAWING IS UNPUBLISHED. RELEASED FOR PUBLICATION. ALL RIGHTS RESERVED. THIS IS SUBJECT TO CHANGE WITHOUT NOTICE. THE USER SHALL BE RESPONSIBLE FOR VERIFYING THE DIMENSIONS AND TOLERANCES OF THE PARTS AND ASSEMBLIES. CONTACT TYCO ELECTRONICS CORPORATION FOR THE LATEST REVISION.</small> |   | DWN HA/GRZYBOWSKI 01/25/05<br>CHK P.DAMATO<br>APPD CHAU/PERCHERAE 06/28/06<br>PRODUCT SPEC<br>APPLICATION SPEC<br>WEIGHT<br>CUSTOMER DRAWING | Tyco Electronics<br>Harrisburg, PA 17105-3608<br>NAME SOCKET CONNECTOR ASSEMBLY W/LATCHES MC-P6S9 MINI CROWN EDGE<br>SIZE CAGE CODE DRAWING NO. RESTRICTED TO<br>A100779C-1766336<br>SCALE 5:1 SHEET 2 OF 4 REV C |
| DIMENSIONS: mm<br>TOLERANCES UNLESS OTHERWISE SPECIFIED:<br>9 PLC ±.5<br>1 PLC ±.5<br>3 PLC ±.25<br>4 PLC ±.5<br>ANGLES ±.5<br>FINISH   | TOLERANCES UNLESS OTHERWISE SPECIFIED:<br>9 PLC ±.5<br>1 PLC ±.5<br>3 PLC ±.25<br>4 PLC ±.5<br>ANGLES ±.5<br>FINISH |  |   |

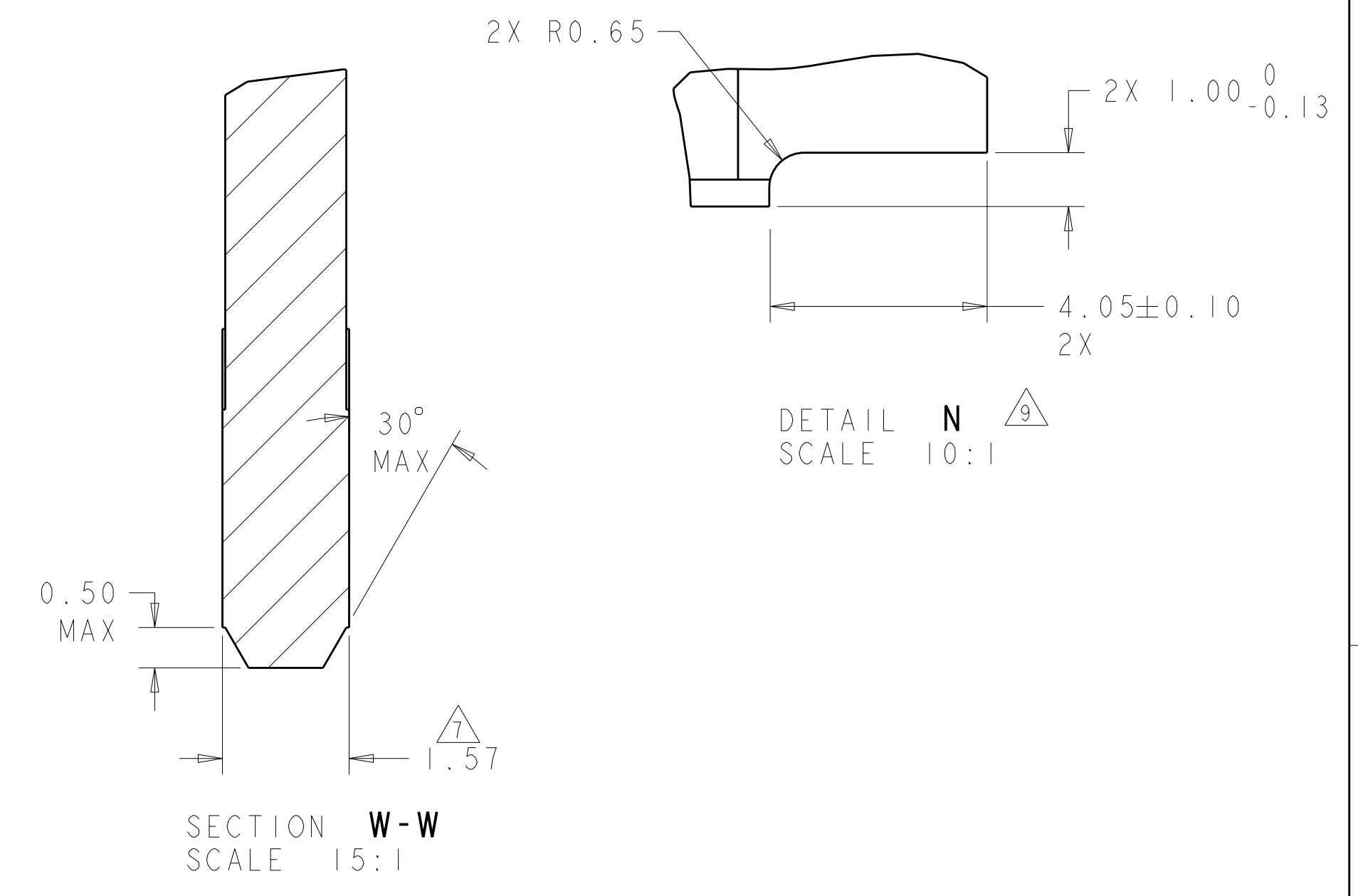
| LOC         | DIST | REV | DATE | BY | APPD |
|-------------|------|-----|------|----|------|
| GP          | 00   |     |      |    |      |
| DESCRIPTION |      |     | DATE | BY | APPD |
| SEE SHEET 1 |      |     |      |    |      |



RECOMMENDED MATING BOARD

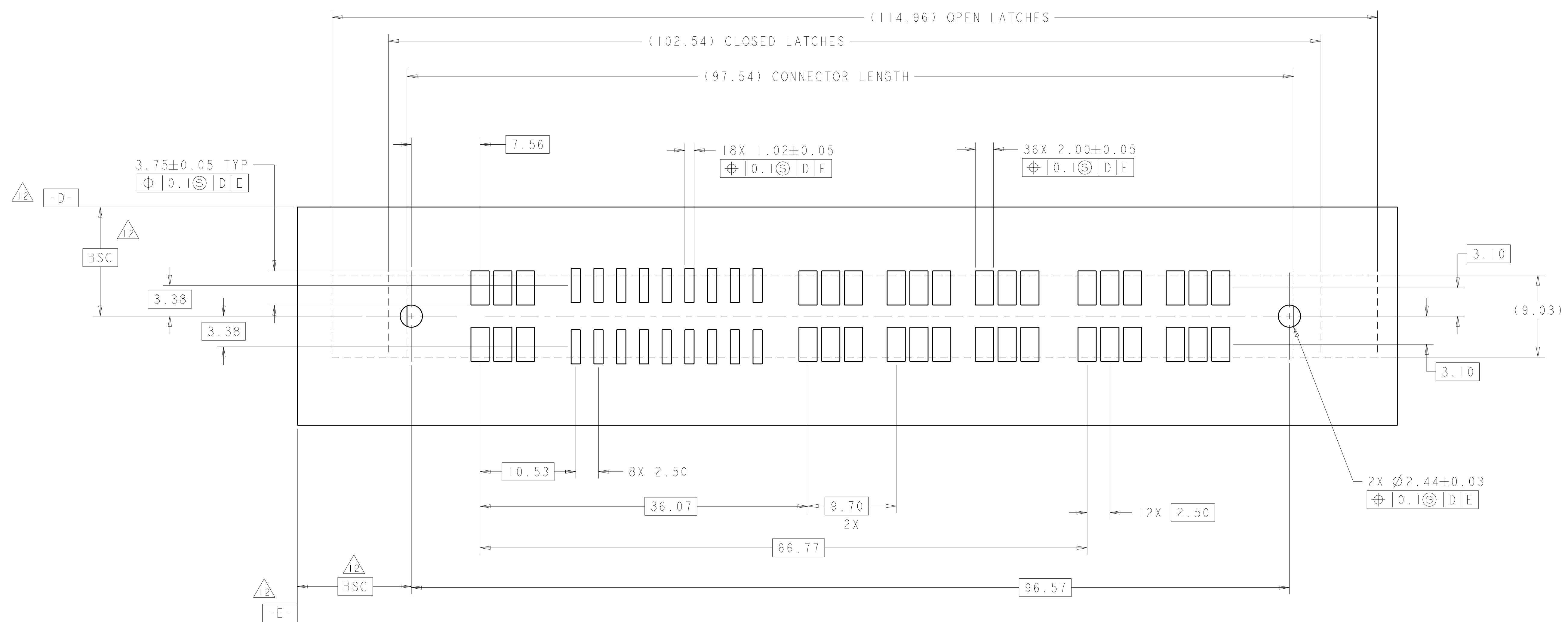


RECOMMENDED PC BOARD KEEP OUT AREA



|                       |  |   |  |   |  |   |  |
|-----------------------|--|---|--|---|--|---|--|
| DIMENSIONS:<br>mm<br> |  | TOLERANCES UNLESS OTHERWISE SPECIFIED:<br>9 PLC ±.5<br>1 PLC ±.25<br>5 PLC ±.25<br>4 PLC ±0.000<br>ANGLES ±.5<br>FINISH |  | DWN HA/GRZYBOWSKI 01/25/05<br>CHK P.DAMATO<br>APPVD CHAU/PERCHERAE 06/28/06<br>PRODUCT SPEC<br>APPLICATION SPEC<br>WEIGHT<br>CUSTOMER DRAWING |  | Tyco Electronics<br>Harrisburg, PA 17105-3608<br>NAME SOCKET CONNECTOR ASSEMBLY W/LATCHES MC-P6S9 MINI CROWN EDGE<br>SIZE CAGE CODE DRAWING NO. RESTRICTED TO<br>A100779C=1766336<br>SCALE 5:1 SHEET 3 OF 4 REV C |  |
|-----------------------|--|---|--|---|--|---|--|

| LOC | DIST | REVISIONS   |      |     |      |
|-----|------|-------------|------|-----|------|
| GP  | 00   | REV         | DATE | DWN | APVD |
| -   | -    | SEE SHEET 1 | -    | -   | -    |
|     |      |             |      |     |      |
|     |      |             |      |     |      |



RECOMMENDED SOLDER LAND GUIDELINE  
 AS VIEWED FROM CONNECTOR SIDE

|  |  |  |  |
|--|--|--|--|
| <small>THIS DRAWING IS UNPUBLISHED. RELEASED FOR PUBLICATION BY TYCO ELECTRONICS CORPORATION. ALL RIGHTS RESERVED.</small> |  | DWN HA/GRZYBOWSKI 01/25/05<br>CHK P.DAMATO 06/28/06<br>APVD CHAU/PERCHERAE | Tyco Electronics<br>Harrisburg, PA 17105-3608                  |
| DIMENSIONS:<br>mm<br>  | TOLERANCES UNLESS OTHERWISE SPECIFIED:<br>9 PLC ±.5<br>2 PLC ±.25<br>5 PLC ±.25<br>4 PLC ±0.0001<br>ANGLES ±.5<br>FINISH | NAME<br>SOCKET CONNECTOR ASSEMBLY<br>W/LATCHES<br>MC-P6S9 MINI CROWN EDGE  | RESTRICTED TO<br>SIZE CAGE CODE DRAWING NO<br>A100779C-1766336 |
| MATERIAL   | FINISH   | WEIGHT   | CUSTOMER DRAWING   |
| SCALE 5:1  |  | SHEET 4 OF 4   | REV C  |

单击下面可查看定价，库存，交付和生命周期等信息

[>>TE Connectivity\(泰科\)](#)