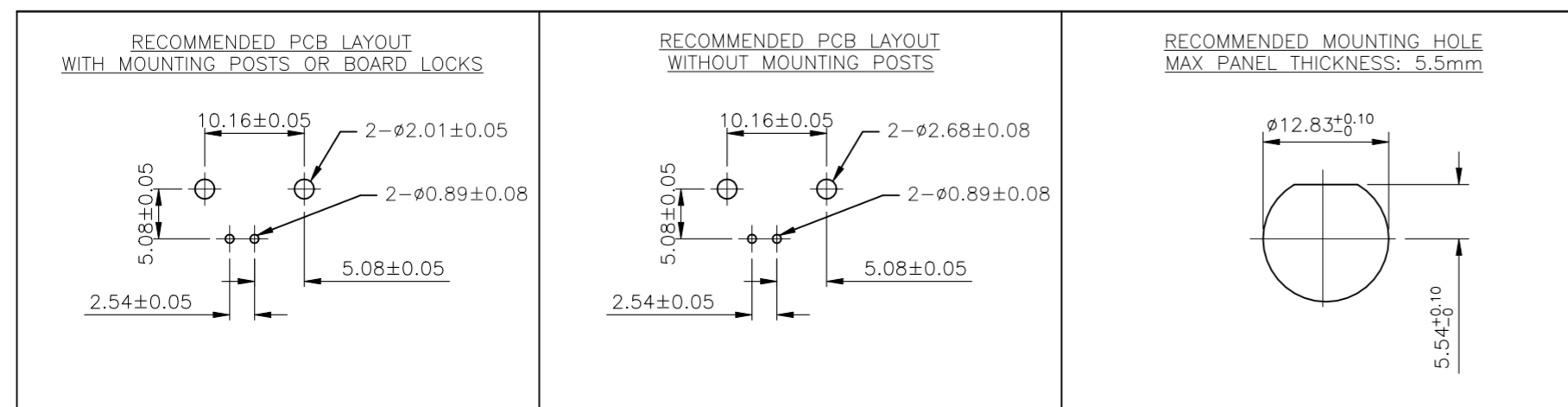
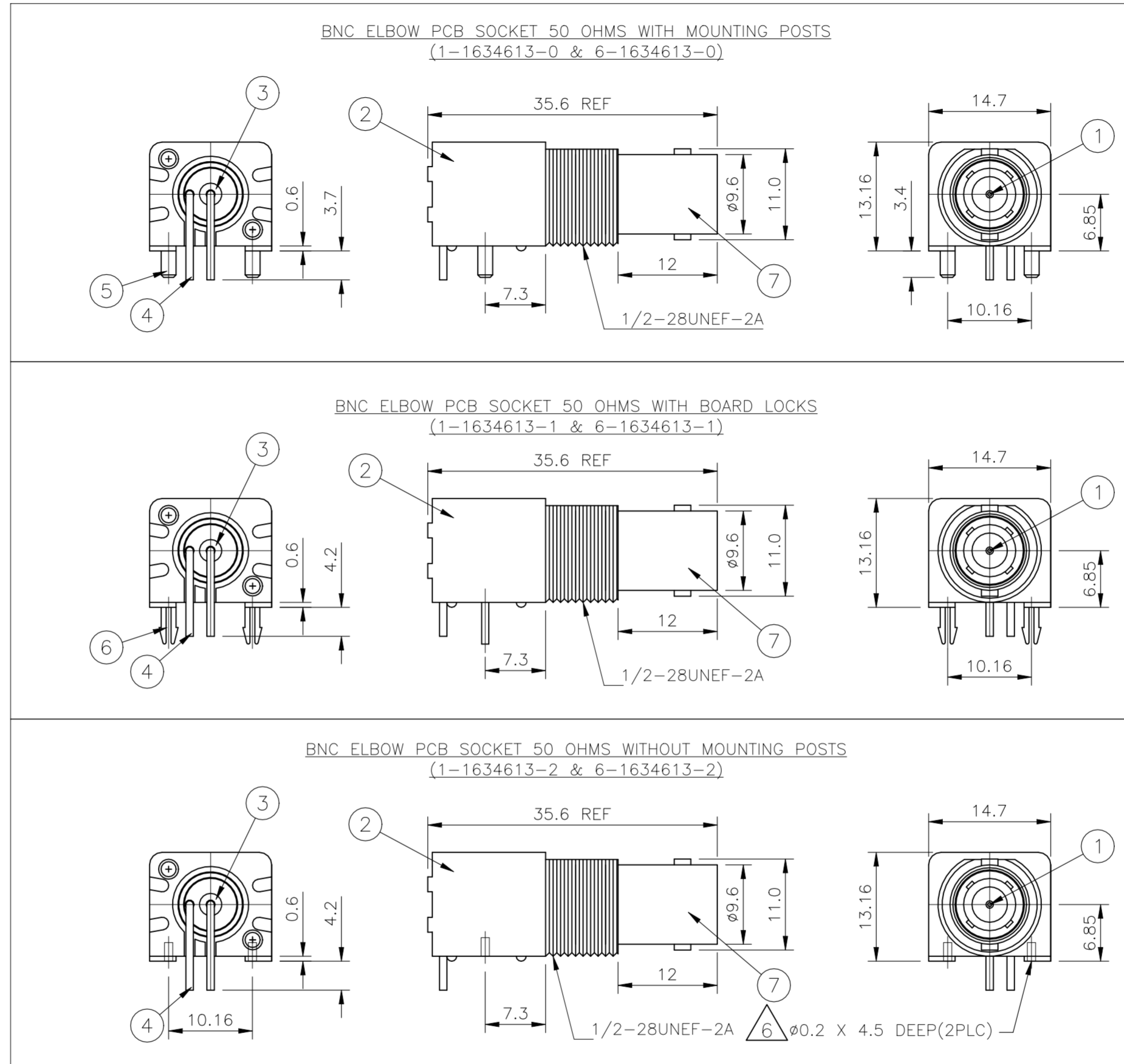


REVISIONS					
P	LTR	DESCRIPTION	DATE	DWN	APVD
E1		REVISED PER ECN-21-112955	17AUG2021	RZ	WK

NOTES:

- 1 SINGLE PACK IN ACCORDANCE WITH AMP SPEC 107-3275
- 2 50 TRAY PACK IN ACCORDANCE WITH AMP SPEC 107-3275
- 3 Au PLATING OVER Ni PLATING OVER Cu PLATING
- 4 Ni PLATING OVER Cu PLATING
- 5 TIN PLATING
- 6 RECOMMENDED SELF-TAPPING SCREW 221108-4
- 7. RECOMMENDED MOUNT NUT 1-1634816-0
- 8. RECOMMENDED LOCKWASHER 1-1634817-0
- 9. FOR TECHNICAL DATA REFER TO YOUR LOCAL TE CONNECTIVITY SALES OFFICE
- 10. ALL DIMENSIONS ARE NOMINAL FOR REFERENCE ONLY UNLESS OTHERWISE STATED



		Obsolete	Obsolete	Obsolete	Obsolete				
1	1	1	1	1	1	ZINC DIECAST	△	BODY	7
-	-	-	-	-	-	BRASS	△	BOARD LOCK	6
-	-	-	-	2	2	BRASS	△	MOUNTING POST	5
1	1	1	1	1	1	BRASS	△	SOLDER TAIL	4
1	1	1	1	1	1	PE-606		INSULATOR	3
1	1	1	1	1	1	PBT BLACK		HOUSING	2
1	1	1	1	1	1	BRASS	△	CONTACT	1
6--2	1--2	6--1	1--1	6--0	1--0	MATERIAL		DESCRIPTION	ITEM
△	△	△	△	△	△	QUANTITY PER ASSY			

THIS DRAWING IS A CONTROLLED DOCUMENT.

DWN	RITA ZUO	14 Feb 09
CHK	ANSON MA	14 Feb 09
APVD	BOB ZHAO	14 Feb 09

TE Connectivity

BNC LOW PROFILE R/A INSULATED PCB SOCKET 50 OHM BLACK

108-112000

SCALE: NTS SHEET 1 OF 1 REV E1

单击下面可查看定价，库存，交付和生命周期等信息

[>>TE Connectivity\(泰科\)](#)