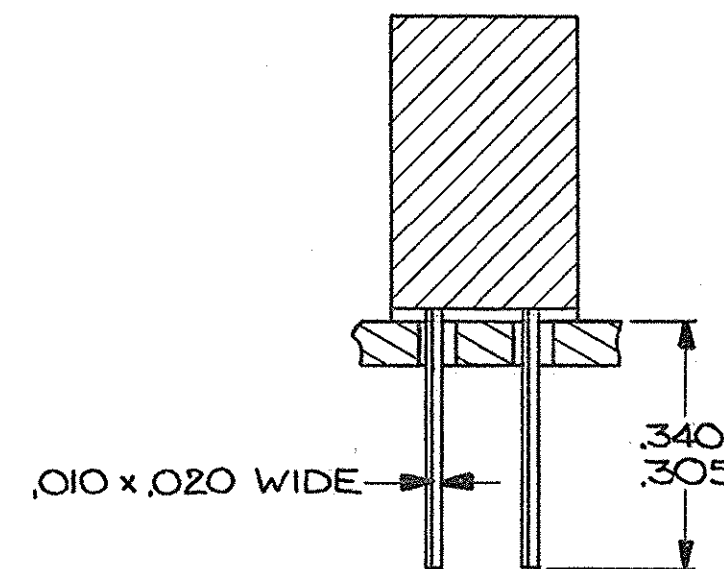
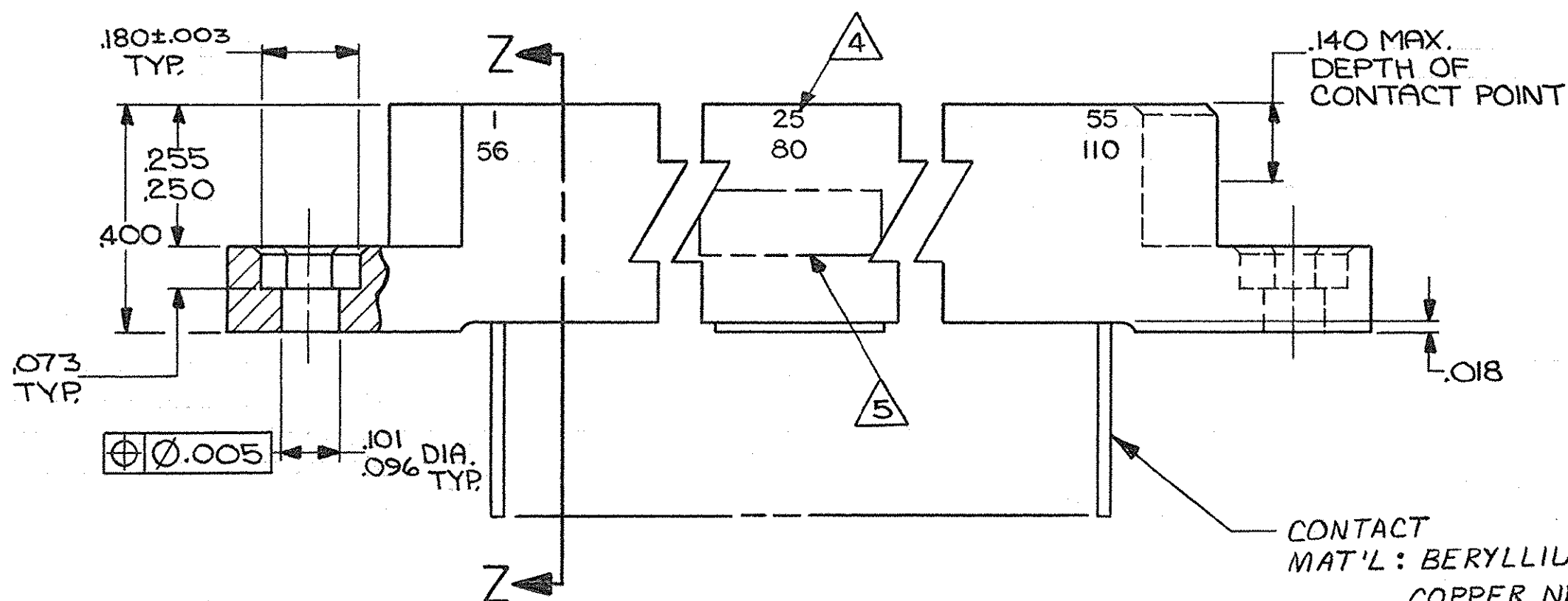
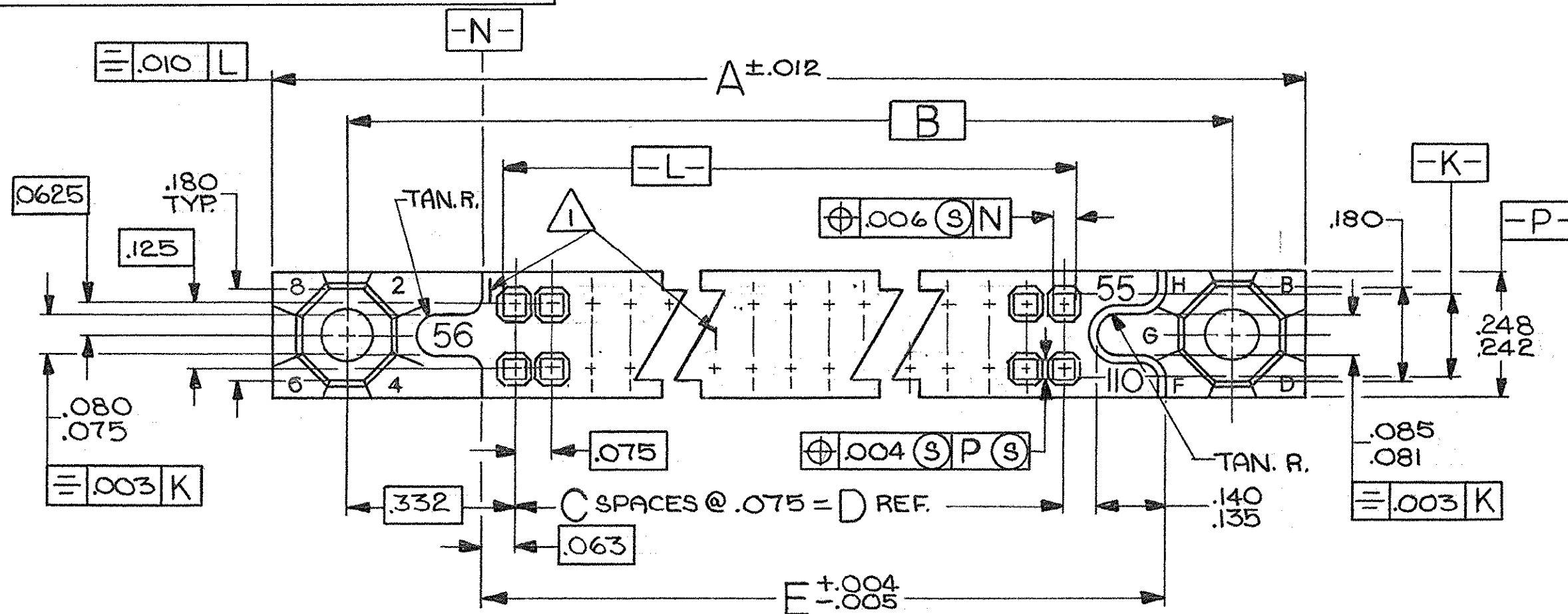


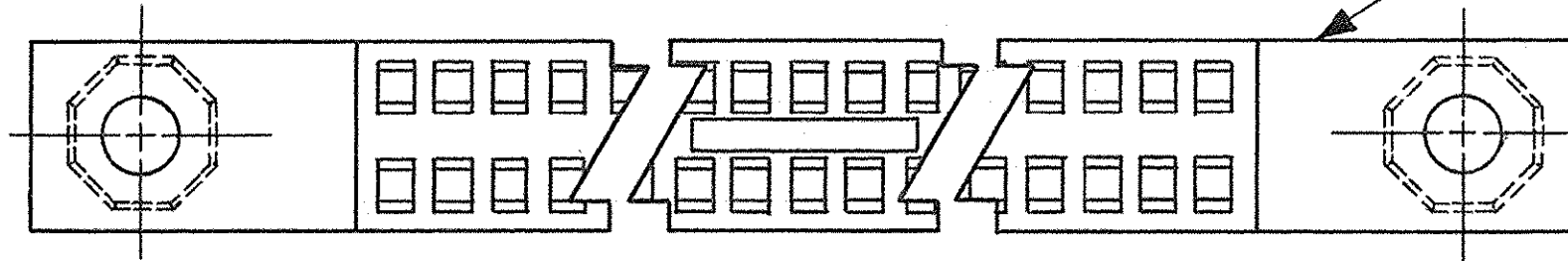
© COPYRIGHT 19 BY AMP INCORPORATED, HARRISBURG, PA.
ALL INTERNATIONAL RIGHTS RESERVED. AMP INCORPORATED PRODUCTS
COVERED BY U. S. AND FOREIGN PATENTS AND/OR PATENTS PENDING.

REVISIONS					
P	F	ZONE	DESCRIPTION	DATE	APPROVED
		E	ECO-08-020831	PY 10-08	BW



CONTACT
MAT'L: BERYLLIUM COPPER (BeCu) OR
COPPER NICKEL SILICONE (CuNiSi)

HOUSING
MAT'L: DIALLYL PHTHALATE,
COLOR, BLUE



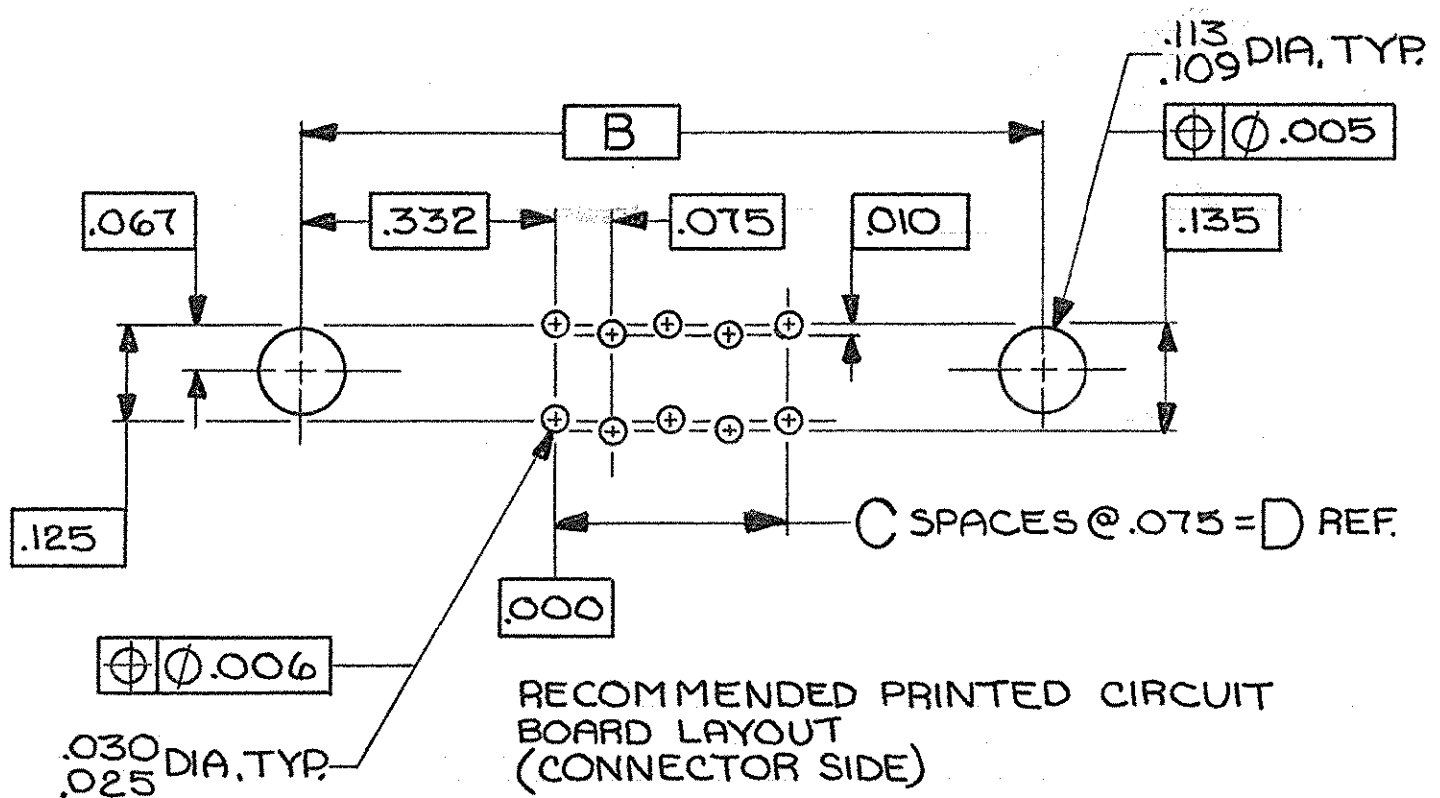
- 1 NUMBERS (SEE TABLE) AND LINES INDICATING EVERY FIVE (5) CAVITIES MARKED ON MATING FACE
- 3 MUST MEET ALL APPLICABLE REQUIREMENTS OF MIL-C-55302.
- 4 NUMBERS INDICATING EVERY FIVE (5) CAVITIES MARKED ON SIDE. (EXCEPT 10 POS.)
- 5 IDENTIFICATION MARKINGS PER MIL-C-55302 (SEE TABLE), IN ADDITION TO AMP'S PART NUMBER, AND DATE CODE.

UNLESS OTHERWISE SPECIFIED DIMENSIONS ARE IN INCHES. TOLERANCES ON: DECIMALS ±.005 ANGLES ±.005		CONTRACT NO 10-23-79		PART NO	
MATERIAL SEE CALLOUTS		DR <i>A.M. SHARPE</i> CHK <i>Boyan W. Dublin</i> 11/8/79		AMP INCORPORATED Harrisburg, Pa.	
FINISH CONTACTS: .000050 GOLD IN CONTACT AREA; TIN-LEAD ON TAILS; ALL OVER NICKEL		APPD <i>Boyan W. Dublin</i> 11/8/79		NAME ASSEMBLY, RECEPTACLE, 750 SER. BOX, WITH .010 x .020 POST CONTACTS, AND EXTERNAL KEYING	
OTHER APPD		APPD <i>[Signature]</i> 11/8/79		DRAWING NO 531143	
DSGN APPD		SIZE C		CODE IDENT NO 00779	
SCALE 4:1		DRAWING NO 531143		REV E	
SHEET 1 OF 2		SHEET 1 OF 2		SHEET 1 OF 2	

531143

© COPYRIGHT 19 BY AMP INCORPORATED, HARRISBURG, PA.
 ALL INTERNATIONAL RIGHTS RESERVED. AMP INCORPORATED PRODUCTS
 COVERED BY U. S. AND FOREIGN PATENTS AND/OR PATENTS PENDING.

REVISIONS				DATE	APPROVED
P	F	ZONE	LTR	DESCRIPTION	
[SEE SHEET 1 OF 2]					



M55302/24-87	1 — 55	56 — 110	4.315	4.050	54	4.715	5.005	110	1-531143-1
M55302/24-83	1 — 50	51 — 100	3.940	3.675	49	4.340	4.630	100	1- -0
M55302/24-79	1 — 45	46 — 90	3.565	3.300	44	3.965	4.255	90	-9
M55302/24-75	1 — 40	41 — 80	3.190	2.925	39	3.590	3.880	80	-8
M55302/24-71	1 — 35	36 — 70	2.815	2.550	34	3.215	3.505	70	-7
M55302/24-67	1 — 30	31 — 60	2.440	2.175	29	2.840	3.130	60	-6
M55302/24-63	1 — 25	26 — 50	2.065	1.800	24	2.465	2.755	50	-5
M55302/24-59	1 — 20	21 — 40	1.690	1.425	19	2.090	2.380	40	-4
M55302/24-55	1 — 15	16 — 30	1.315	1.050	14	1.715	2.005	30	-3
M55302/24-51	1 — 10	11 — 20	.940	.675	9	1.340	1.630	20	-2
M55302/24-47	1 — 5	6 — 10	.565	.300	4	.965	1.255	10	531143-1
IDENT. MARKING M55302	CONTACT IDENT. NO.		E	D	C	B	A	NO. OF CONTACTS	PART NO

UNLESS OTHERWISE SPECIFIED DIMENSIONS ARE IN INCHES. TOLERANCES ON: DECIMALS ±.005 ANGLES ±	CONTRACT NO 10-23-79		AMP AMP INCORPORATED Harrisburg, Pa.			
	DR <i>A.M. SHARPE</i>	CHK <i>Royce W. Durbin</i> 11/8/79			NAME ASSEMBLY, RECEPTACLE, 750 SER. BOX, WITH .010 x .020 POST CONTACTS AND EXTERNAL KEYING	
MATERIAL	APPR <i>Royce W. Durbin</i> 11/8/79	APPR <i>Royce W. Durbin</i> 11/8/79	SIZE	CODE IDENT NO	DRAWING NO	REV
FINISH [SEE SHEET 1]	DSGN APPD	OTHER APPD	C	00779	531143	E
			SCALE 4:1	SHEET 2 OF 2		

531143

单击下面可查看定价，库存，交付和生命周期等信息

[>>TE Connectivity\(泰科\)](#)