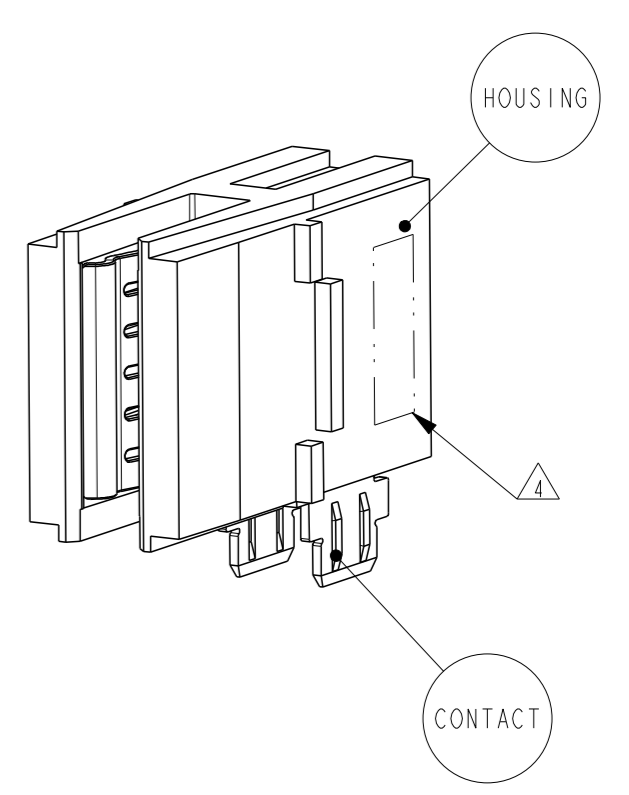
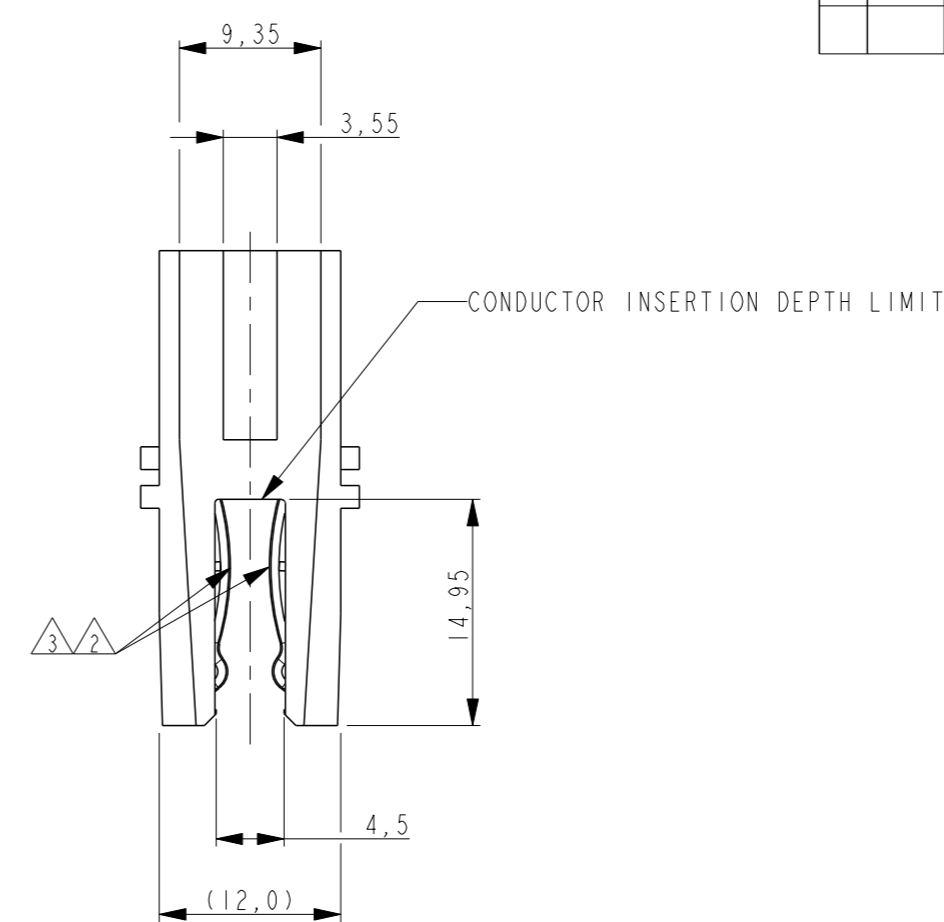
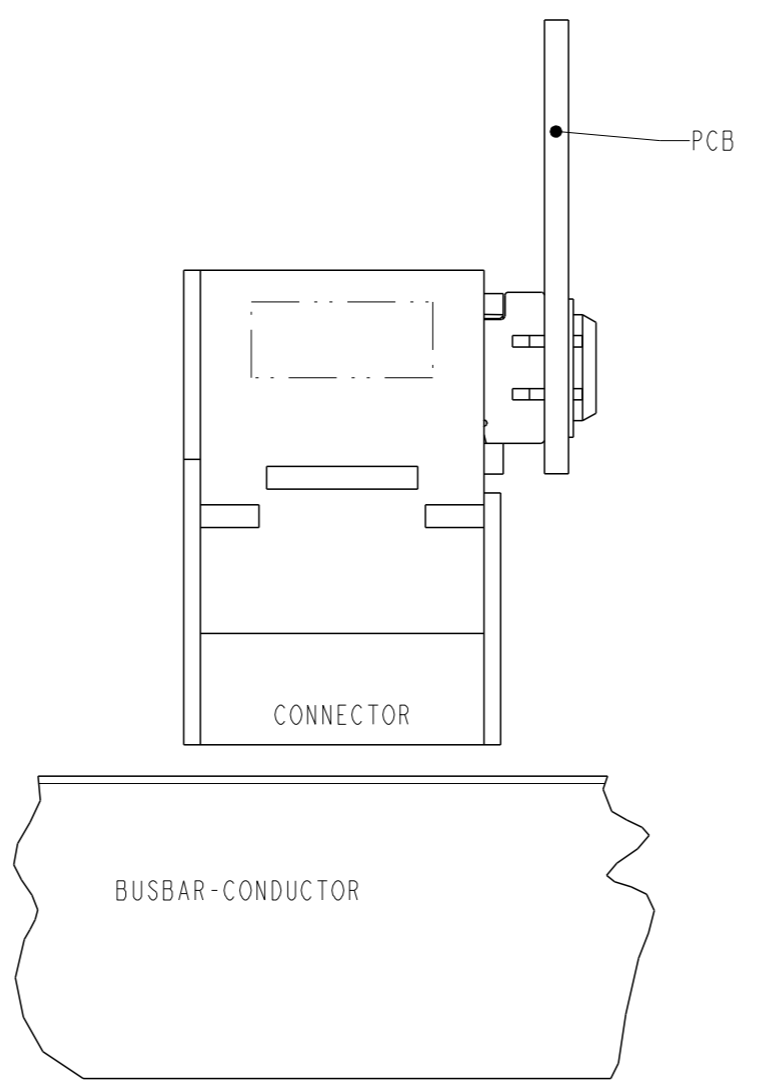
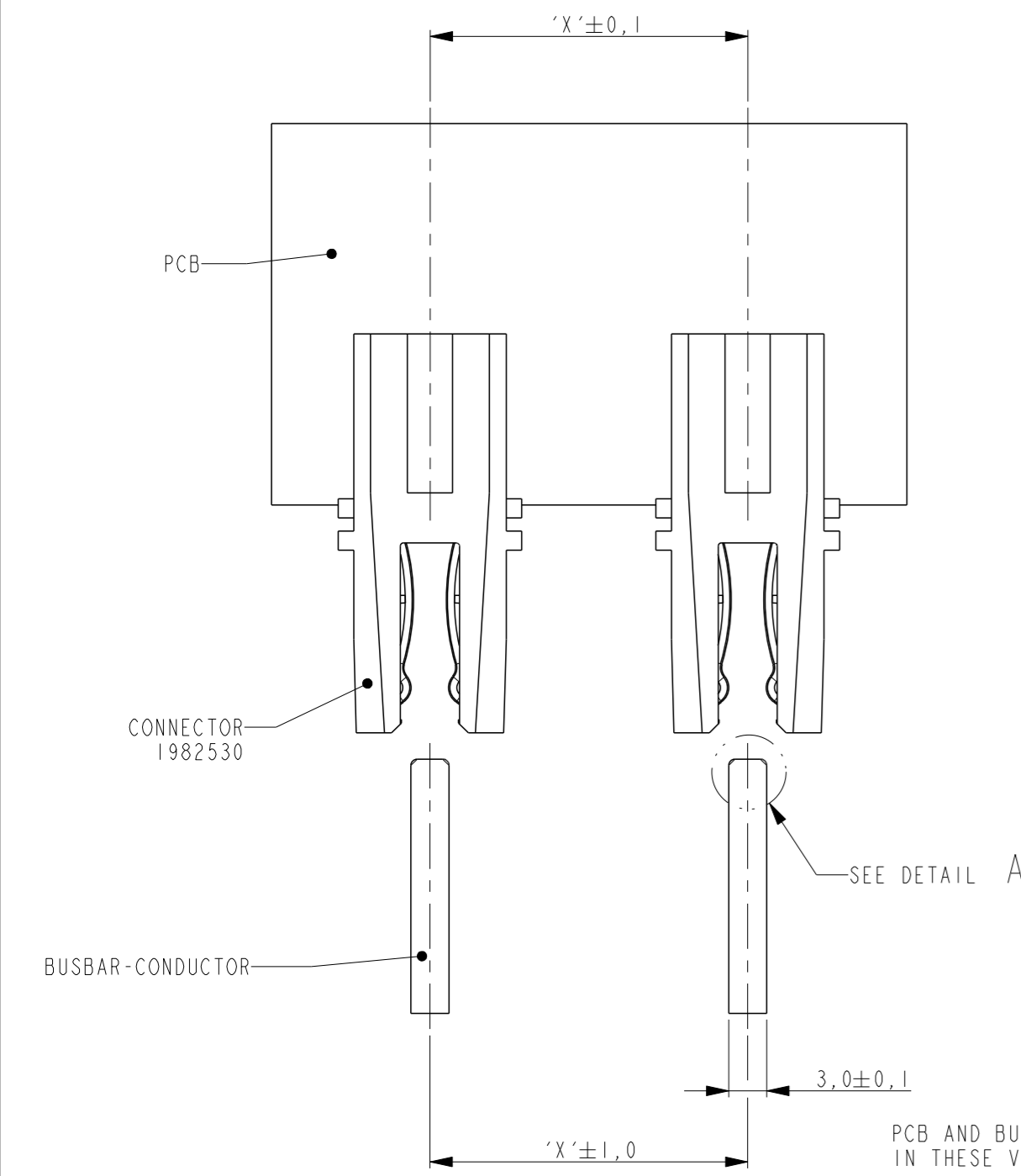


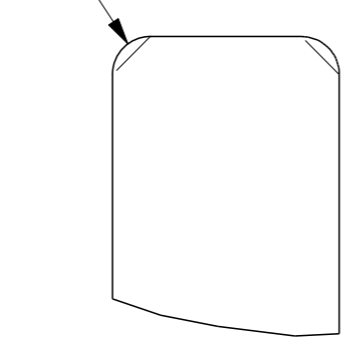
THIS DRAWING IS UNPUBLISHED. RELEASED FOR PUBLICATION  
 © COPYRIGHT - BY - ALL RIGHTS RESERVED.

LOC	DIST	REVISIONS			
P	LTR	DESCRIPTION	DATE	DWN	APVD
ES	00	A3	REV PER ECR-15-005882	20APR2015	ML SZ

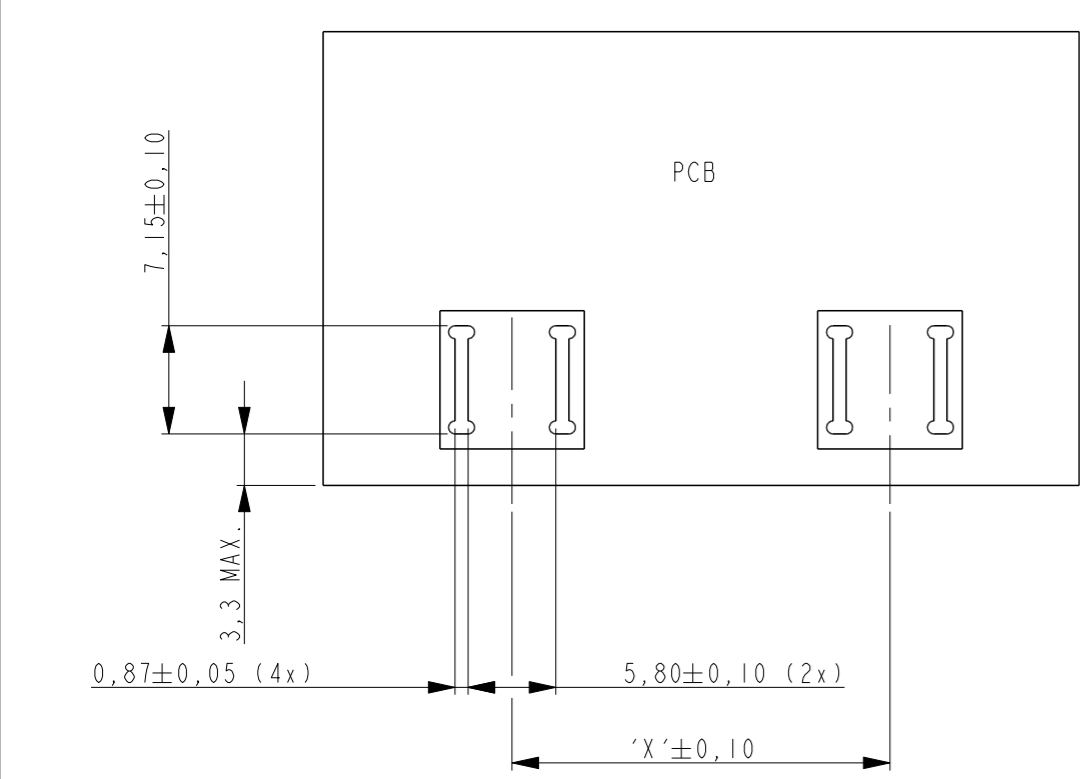


PCB AND BUSBAR-CONDUCTORS, IN THESE VIEWS ARE SHOWN FOR REFERENCE ONLY.

RADIUSED OR CHAMFERED EDGE ON BUSBAR-CONDUCTOR RECOMMENDED

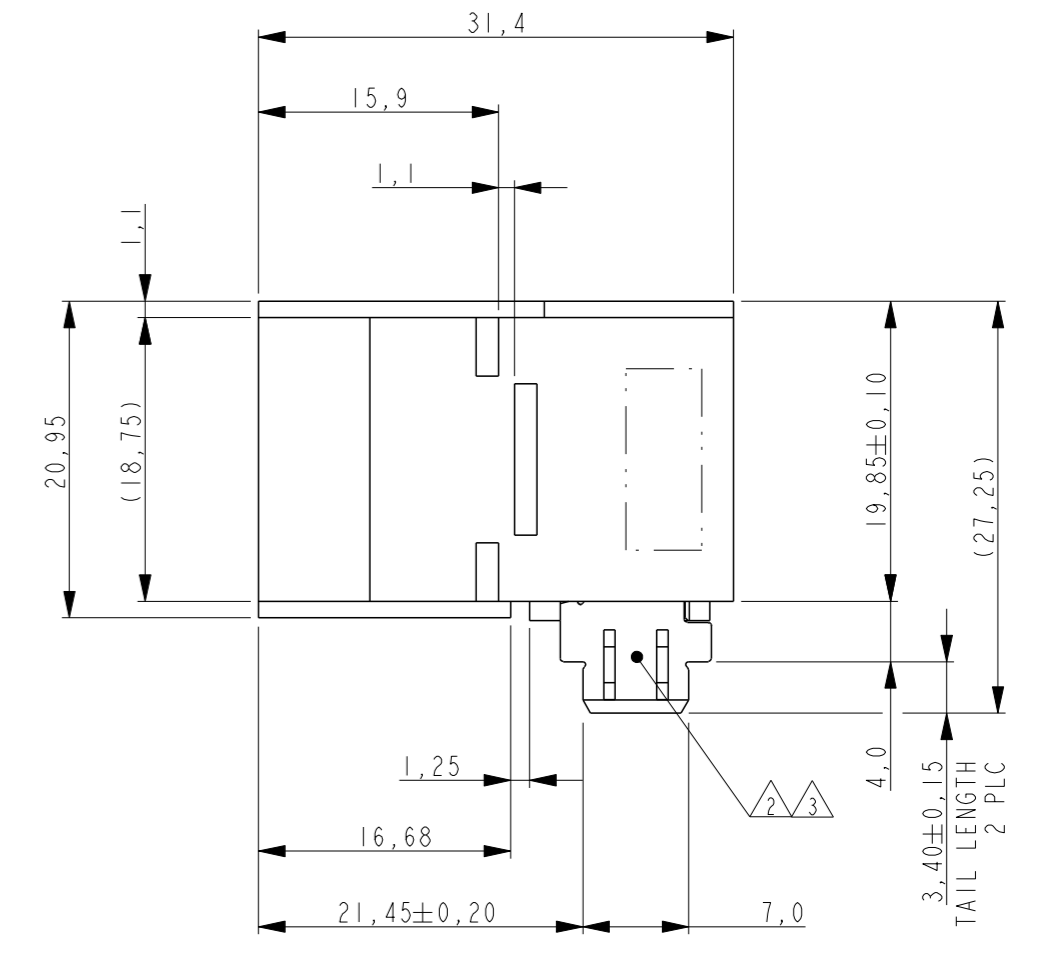
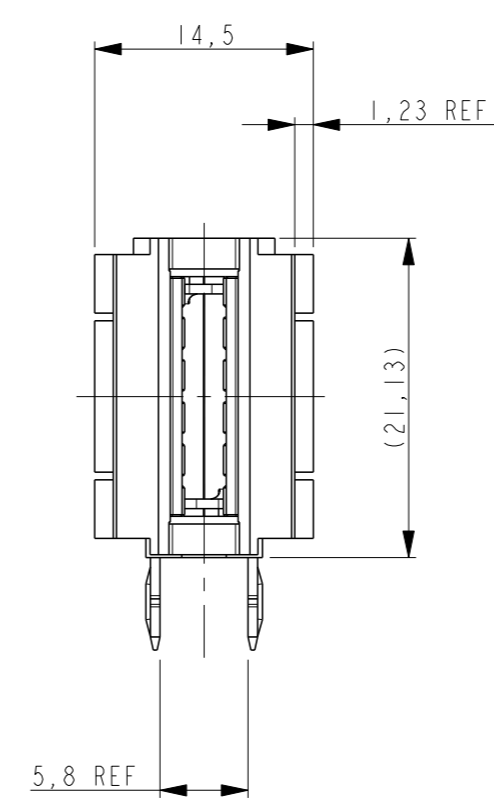


DETAIL A SCALE 10:1



RECOMMENDED PCB LAY-OUT  
 THICKNESS: 1,5 - 2,0mm

- NOTES:
- 1 PCB MUST BE SUPPORTED WHILE INSERTING THE CONNECTOR IN THE SLOTS TO AVOID BENDING OF THE BOARD.
  - 2 PLATING: 1,2µm MIN. NICKEL UNDERLAYER ALLOVER.
  - 3 3,0µm MIN. TIN IN INDICATED AREA'S.
  - 4 AREA FOR DATE-CODE.
  5. MATERIAL:  
 HOUSING: THERMOPLASTIC, BLACK, UL94 V-0  
 POWER CONTACT: HIGH CONDUCTIVITY COPPER ALLOY
  - 6 LUBRICANT ON CONTACT MATING AREA.



THIS DRAWING IS A CONTROLLED DOCUMENT.

DIMENSIONS:	TOLERANCES UNLESS OTHERWISE SPECIFIED:
mm	
	0 PLC ±
	1 PLC ±0.3
	2 PLC ±0.15
	3 PLC ±0.05
	4 PLC ±
MATERIAL	ANGLES ±2°
	FINISH

6	CROWN CLIP JUNIOR SOLDER VERSION W/ LUBRICANT	2178517-2	2
	CROWN CLIP JUNIOR SOLDER VERSION	2178517-1	1
	DESCRIPTION	PART NUMBER	ITEM

DWN	09 Jan 13	TE Connectivity			
CHK	09 Jan 13				
APVD	09 Jan 13				
NAME	RAJENDRA	PLUGGABLE BUSBAR CONNECTOR SOLDER VERSION CROWN CLIP JUNIOR			
PRODUCT SPEC	108-19360				
APPLICATION SPEC	114-19128				
WEIGHT	-	SIZE	CAGE CODE	DRAWING NO	RESTRICTED TO
Customer Drawing		A2	00779	C=2178517	-
SCALE	2:1	SHEET	1	OF	1
		REV			A3

单击下面可查看定价，库存，交付和生命周期等信息

[>>TE Connectivity\(泰科\)](#)