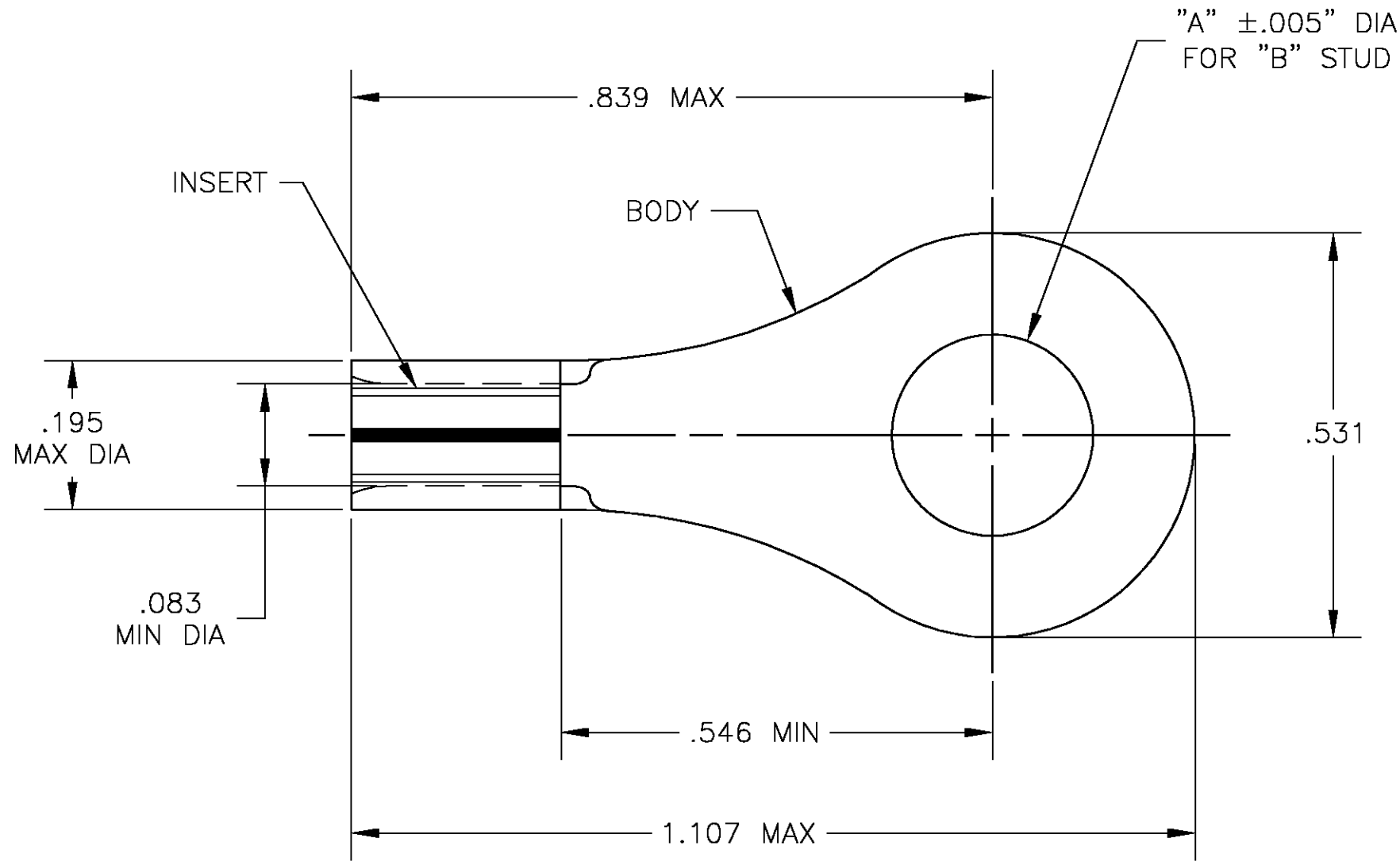


THIS DRAWING IS UNPUBLISHED. RELEASED FOR PUBLICATION
 © COPYRIGHT BY TYCO ELECTRONICS CORPORATION. ALL RIGHTS RESERVED.

LOC	DIST	REVISIONS			
P	LTR	DESCRIPTION	DATE	DWN	APVD
G	14	C	REV PER 0G3A-0356-04	10MAY04	JR MS

- 1 MATERIAL THICKNESS IS .031±.002
- 2 BODY: COPPER PER ASTM B-152
TIN PLATE PER ASTM B-545
- 3 INSERT: BRASS (MIL-C-50)
.000300 MIN EXT THK TIN PLATE
PER ASTM B-545



OBSOLETE	1/4	.265	52587-1
	3/8	.390	52587-0
	DIM "B"	DIM "A"	PART NO

THIS DRAWING IS A CONTROLLED DOCUMENT.		DWN jr_ruth 10MAY04	Tyco Electronics Corporation Harrisburg, PA 17105	
DIMENSIONS: INCHES 		CHK M SPICER 10MAY04		
TOLERANCES UNLESS OTHERWISE SPECIFIED: 0 PLC ± - 1 PLC ± - 2 PLC ± - 3 PLC ± .008 4 PLC ± - ANGLES ± 5°		APVD M SPICER 10MAY04	NAME WIRE TERMINAL, RING TONGUE COPALUM STRANDED/SOLID WIRE SIZE : 16-14	
MATERIAL SEE NOTES		FINISH SEE NOTES	PRODUCT SPEC -	APPLICATION SPEC -
		WEIGHT -	SIZE A3	CAGE CODE 00779
CUSTOMER DRAWING			DRAWING NO C-52587	RESTRICTED TO -
			SCALE 5:1	SHEET 1 OF 1
			REV C	

单击下面可查看定价，库存，交付和生命周期等信息

[>>TE Connectivity\(泰科\)](#)