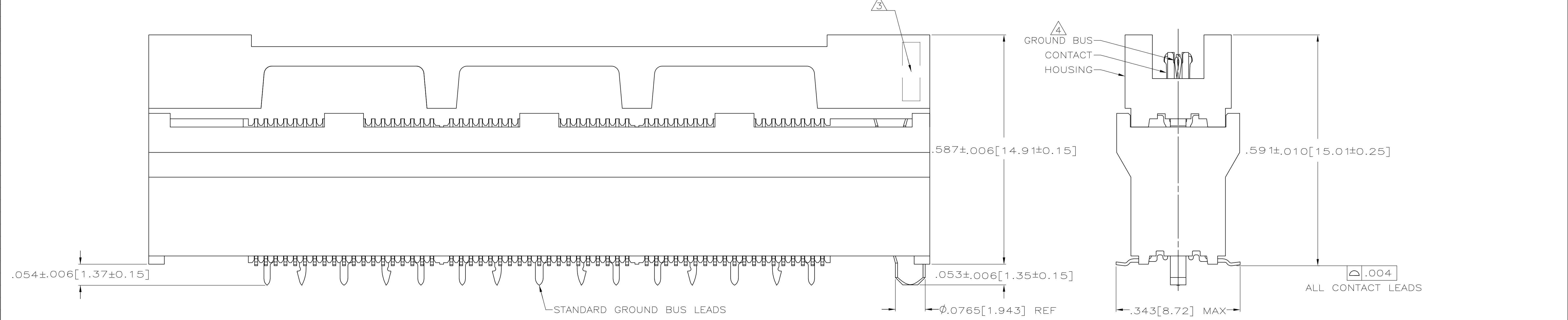


- $\triangle 1$ HOUSING: LIQUID CRYSTAL POLYMER, COLOR BLACK.
CONTACTS: HIGH RELIABILITY COPPER ALLOY.
GROUND BUSES: PHOSPHOR BRONZE ALLOY, UNS C51100.
- $\triangle 2$ CONTACTS & GROUND BUSES: NICKEL UNDERPLATE ALL OVER, MATING SURFACE PLATED TO MEET LEVEL 1 PERFORMANCE REQUIREMENTS OF TE PRODUCT SPECIFICATION 108-1422, SOLDER TAILS PLATED MATTE TIN.
- $\triangle 3$ DATE CODE MARKED IN AREA INDICATED ON SIDE OPPOSITE POSITION #1.
- $\triangle 4$ ONE GROUND BUS WITH 5 TAILS PER EACH MODULE.
- $\triangle 5$ TOLERANCE NON-ACCUMULATIVE.
- $\triangle 6$ FOR SLIP-FIT APPLICATIONS, ORIENTATION HOLE TO BE $\phi .079 \pm .001 [2.00 \pm 0.03]$.
- $\triangle 7$ FOR CONNECTORS OF 190 POSITIONS AND LARGER, THE CONNECTORS INTEGRAL GROUND BUS RETENTION FEATURE COMPENSATES FOR INHERENT BOW IN THE HOUSING. ONCE THE CONNECTOR IS PLACED ON THE PCB, COPLANARITY IS HELD TO 0.1[.004].
- $\triangle 8$ CONNECTORS PACKAGED ON 13 INCH DIA REELS PER EIA 481.
- $\triangle 9$ PRELIMINARY - NOT RELEASED FOR PRODUCTION.



SEE SHEET 2 FOR RECOMMENDED PC BOARD LAYOUT AND PACKAGING DETAIL

| | | | | | | | | | |
|---------------|-----------------------|-------------|--------------|---|---------------|---------------|---------------|-----------|-------------|
| $\triangle 9$ | NO | 4.724 [120] | 3.000 [76.2] | 6 | 3.450 [87.63] | 3.900 [99.06] | 4.000 [101.6] | 266 | 1-5767146-4 |
| $\triangle 9$ | NO | 4.724 [120] | 2.500 [63.5] | 5 | 2.950 [74.93] | 3.400 [86.36] | 3.500 [88.9] | 228 | 1-5767146-3 |
| $\triangle 9$ | NO | 4.094 [104] | 2.000 [50.8] | 4 | 2.450 [62.23] | 2.900 [73.66] | 3.000 [76.2] | 190 | 1-5767146-2 |
| | NO | 3.465 [88] | 1.500 [38.1] | 3 | 1.950 [49.53] | 2.400 [60.96] | 2.500 [63.5] | 152 | 1-5767146-1 |
| | NO | 2.835 [72] | 1.000 [25.4] | 2 | 1.450 [36.83] | 1.900 [48.26] | 2.000 [50.8] | 114 | 1-5767146-0 |
| | NO | 2.205 [56] | .500 [12.7] | 1 | .950 [24.13] | 1.400 [35.56] | 1.500 [38.1] | 76 | 5767146-9 |
| | NO | 1.732 [44] | .000 [0] | 0 | .450 [11.43] | .900 [22.86] | 1.000 [25.4] | 38 | 5767146-8 |
| | YES | 4.724 [120] | 3.000 [76.2] | 6 | 3.450 [87.63] | 3.900 [99.06] | 4.000 [101.6] | 266 | 5767146-7 |
| $\triangle 9$ | YES | 4.724 [120] | 2.500 [63.5] | 5 | 2.950 [74.93] | 3.400 [86.36] | 3.500 [88.9] | 228 | 5767146-6 |
| | YES | 4.724 [120] | 2.000 [50.8] | 4 | 2.450 [62.23] | 2.900 [73.66] | 3.000 [76.2] | 190 | 5767146-5 |
| | YES | 3.465 [88] | 1.500 [38.1] | 3 | 1.950 [49.53] | 2.400 [60.96] | 2.500 [63.5] | 152 | 5767146-4 |
| | YES | 2.835 [72] | 1.000 [25.4] | 2 | 1.450 [36.83] | 1.900 [48.26] | 2.000 [50.8] | 114 | 5767146-3 |
| | YES | 2.205 [56] | .500 [12.7] | 1 | .950 [24.13] | 1.400 [35.56] | 1.500 [38.1] | 76 | 5767146-2 |
| | YES | 1.732 [44] | .000 [0] | 0 | .450 [11.43] | .900 [22.86] | 1.000 [25.4] | 38 | 5767146-1 |
| | VACUUM COVER INCLUDED | F | E | D | C | B | A | NO OF POS | PART NUMBER |

THIS DRAWING IS A CONTROLLED DOCUMENT.

DIMENSIONS: INCHES

TOLERANCES UNLESS OTHERWISE SPECIFIED:

| | |
|--------|--------------|
| 0 PLC | ± - |
| 1 PLC | ± - |
| 2 PLC | ± - |
| 3 PLC | ± .005(0.13) |
| 4 PLC | ± - |
| ANGLES | ± - |

MATERIAL $\triangle 1$ FINISH $\triangle 2$

REV: 28 OCT 04
 CHK: D. DIXON
 APVD: D. DIXON

TYCO ELECTRONICS CORPORATION
 HARRISBURG, PA 17105-3608

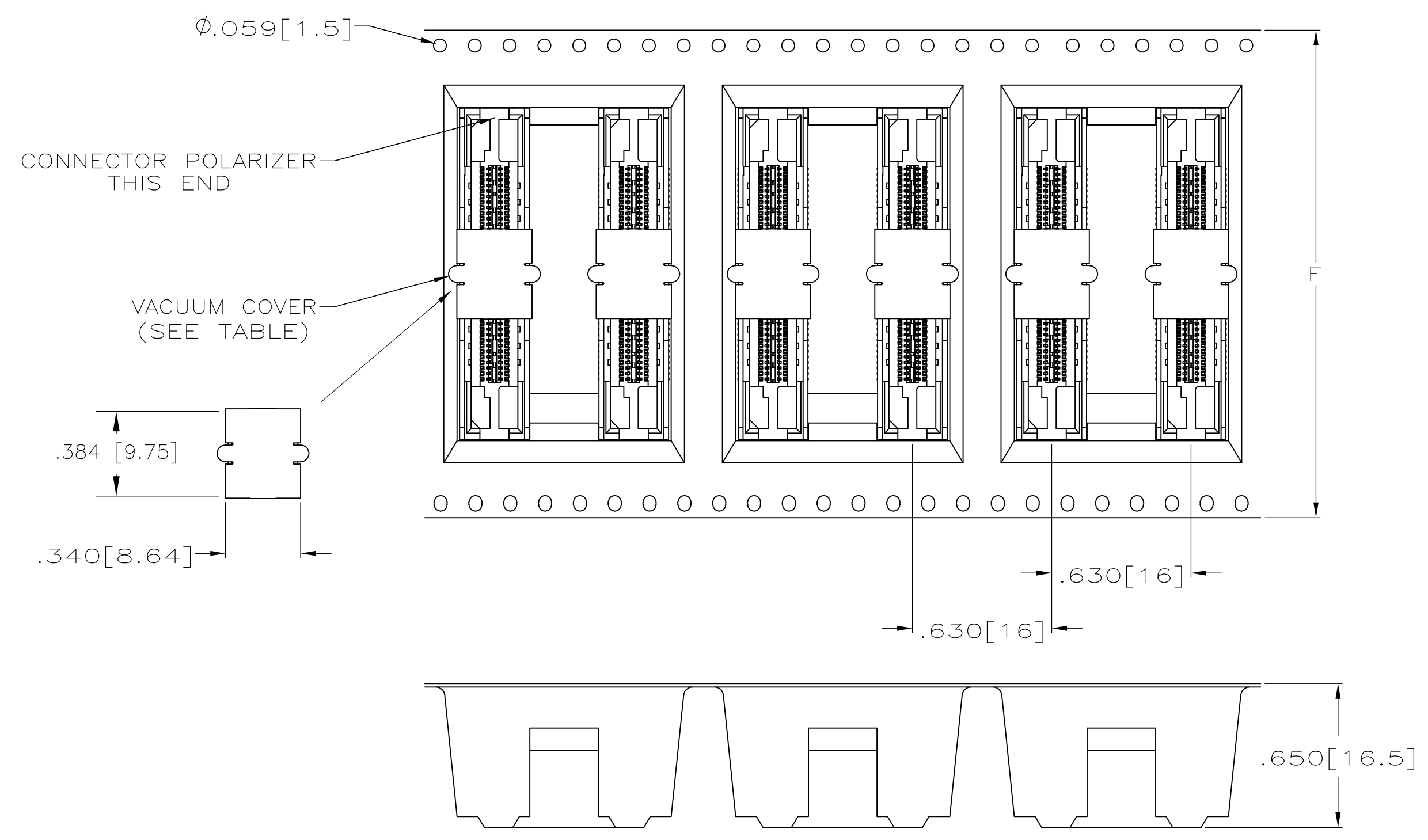
NAME: RECEPTACLE ASSEMBLY, .355[9.02] VERTICAL, .025[0.64] CL, GULL WING LEADS, POCKET TAPE PACKAGED, MICTOR

APPLICATION SPEC: 108-1422

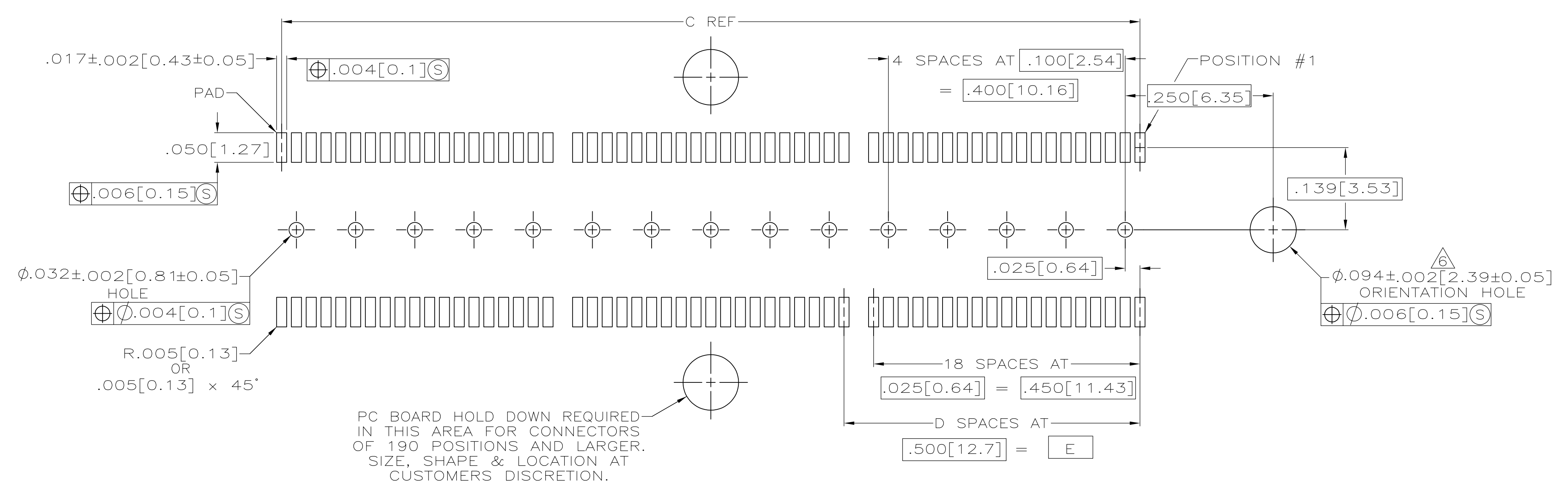
SIZE: 114-11004

WEIGHT: A1 00779 C=5767146

CUSTOMER DRAWING SCALE: 8:1 SHEET 1 OF 2 REV: B1



PACKAGING DETAIL Δ
 SCALE 2:1
 DIMENSIONS ARE FOR REFERENCE



RECOMMENDED PC BOARD LAYOUT
 (VIEWED FROM CONNECTOR SIDE)

| | | | |
|--|--|---|--|
| THIS DRAWING IS A CONTROLLED DOCUMENT. | | DIN L VARELA 28 OCT 04 | Tyco Electronics Corporation Harrisburg, PA 17105-3608 |
| DIMENSIONS: INCHES | | CHK D DIXON 28 OCT 04 | |
| TOLERANCES UNLESS OTHERWISE SPECIFIED: | | APVD D DIXON 28 OCT 04 | NAME RECEPTACLE ASSEMBLY, .355[9.02] VERTICAL, .025[0.64] CL, GULL WING LEADS, POCKET TAPE PACKAGED, MICTOR |
| 0 PLC ± - 1 PLC ± - 2 PLC ± - 3 PLC ± .005(0.13) 4 PLC ± - ANGLES ± - | | SIZE A1 | RESTRICTED TO |
| MATERIAL | | WEIGHT | SCALE 8:1 SHEET 2 OF 2 REV B1 |
| CUSTOMER DRAWING | | CAGE CODE DRAWING NO 00779 C=5767146 | |

单击下面可查看定价，库存，交付和生命周期等信息

[>>TE Connectivity\(泰科\)](#)