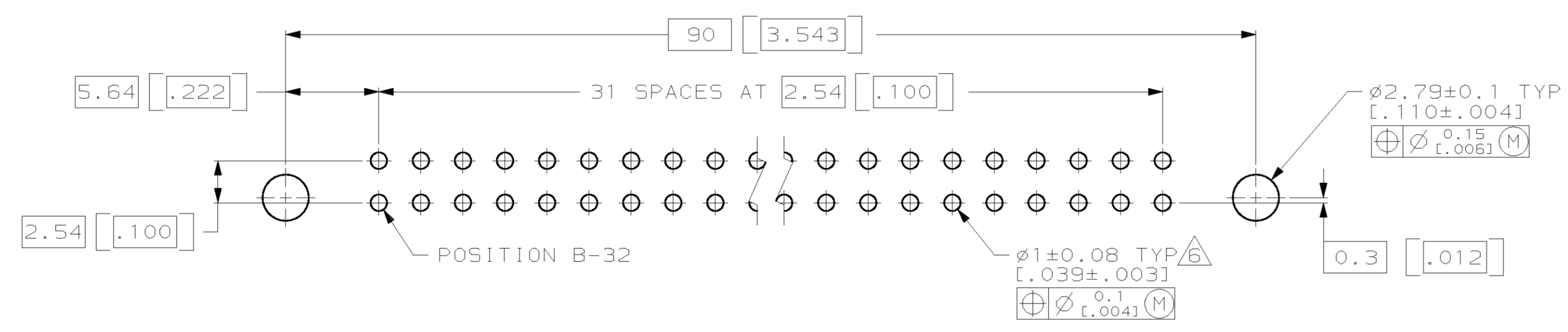
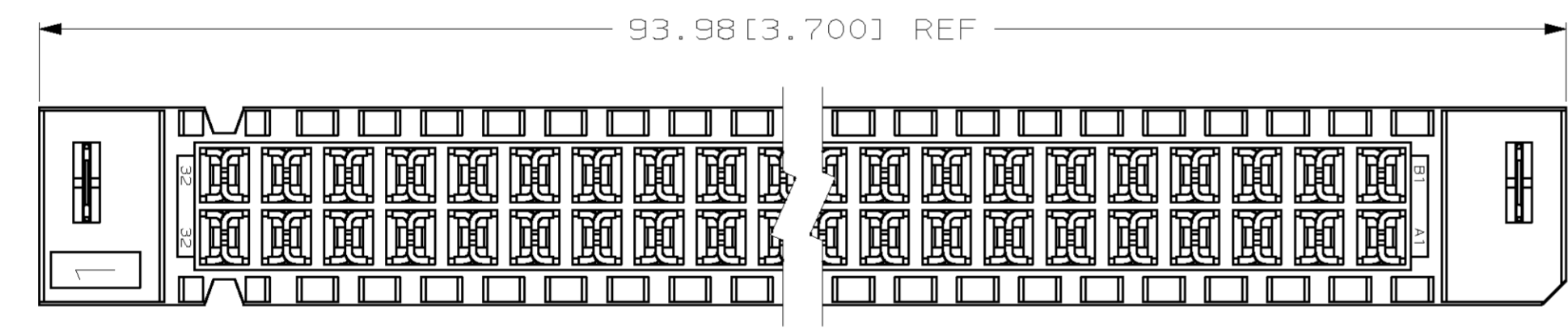
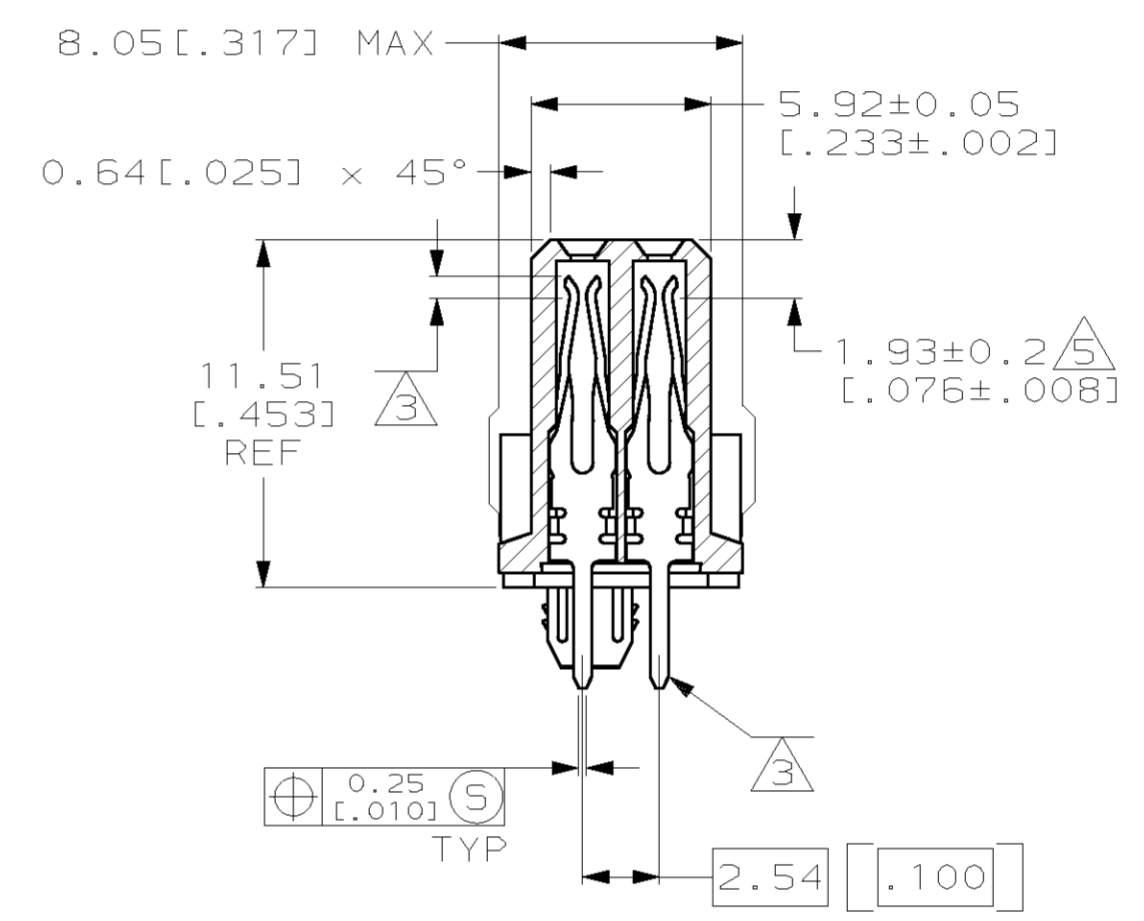
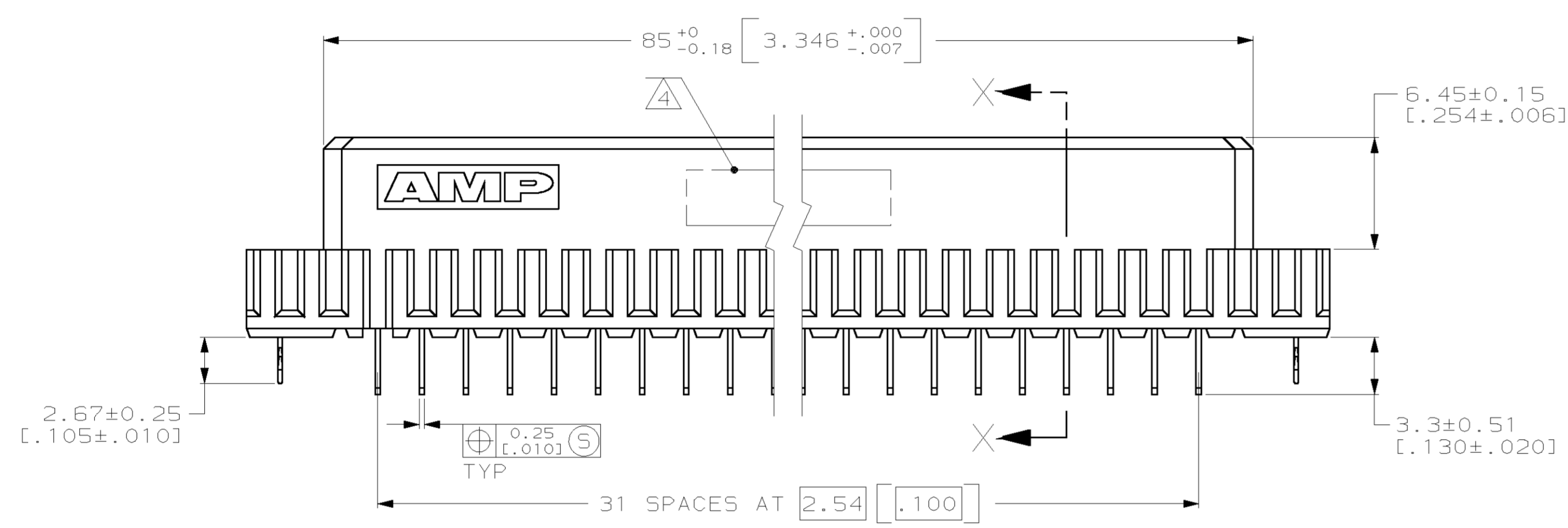
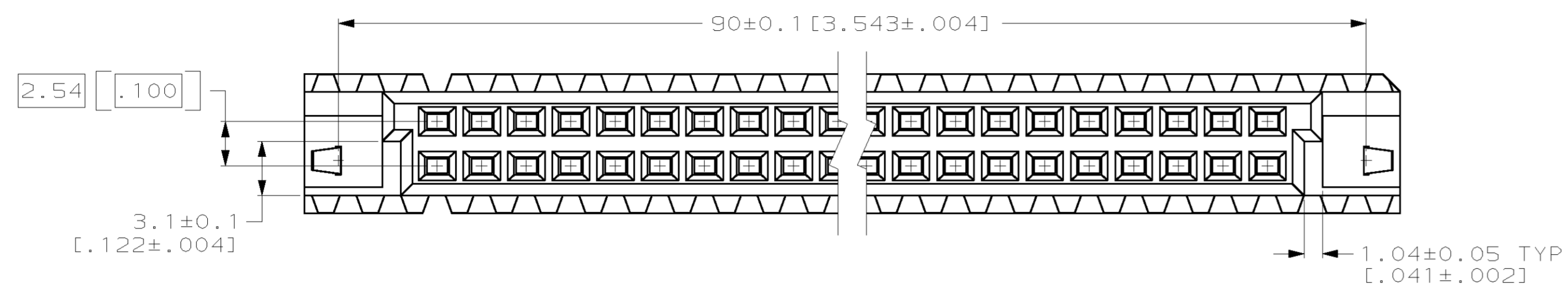


LOC		DIST		REVISIONS			
AD	25	TR	LYR	DESCRIPTION	DATE	DMN	APVD
		0		DRAWN, WAS 95-5505-160-1	-	-	-
		A		REV PER EC 0U1B-0391-00	10 JAN 01	BC	CR
		B		REV PER EC 0S12-0159-03	06 JAN 04	MJM	AS

- ① HOUSING MATERIAL: GLASS-FILLED POLYESTER. COLOR: GRAY.
- ② CONTACT MATERIAL: PHOSPHOR BRONZE.
- ③ CONTACT FINISH: DIN 41612 CLASS 2 IN CONTACT AREA. TIN-LEAD ON POSTS.
- ④ PART NUMBER, DATE CODE IDENTIFICATION, CSA LOGO IN THIS APPROXIMATE AREA ON OPPOSITE SIDE SHOWN.
- ⑤ CONTACT POINT.
- ⑥ RECOMMENDED HOLE SIZE FOR MANUAL APPLICATION OF CONNECTOR ONTO PC BOARD.



1,9-24,32	B	18	148275-1
1,9-24,32	A	18	
POSITIONS LOADED	ROWS	NO. OF LOADED POSITIONS	PART NUMBER

<small>THIS DRAWING IS A CONTROLLED DOCUMENT FOR AMP. UNAUTHORIZED IT IS SUBJECT TO CHANGE AND THE CONTROLLING ENGINEERING ORGANIZATION SHALL BE CONTACTED FOR THE LATEST REVISION.</small>		DWN L. BRINER 4/30/96 CHK C. RICHARD 4/30/96 APVD C. RICHARD 4/30/96	AMP AMP Incorporated Harrisburg, PA 17105-3608
DIMENSIONS: mm (INCHES)	TOLERANCES UNLESS OTHERWISE SPECIFIED: 0 PLC ±- 1 PLC ±- 2 PLC ±0.13(.005) 3 PLC ±- 4 PLC ±- ANGLES ±-	NAME: RECEPTACLE ASSEMBLY, EUROCARD, TYPE B WITH BOARDLOCKS SIZE: A1 CAGE CODE: 00779 DRAWING NO: C-148275	CUSTOMER DRAWING
MATERIAL: HOUSING: ① POST: ②	FINISH: - POST: ③	WEIGHT: - SCALE: 4:1 SHEET: 1 OF 1 REV: B	

单击下面可查看定价，库存，交付和生命周期等信息

[>>TE Connectivity\(泰科\)](#)