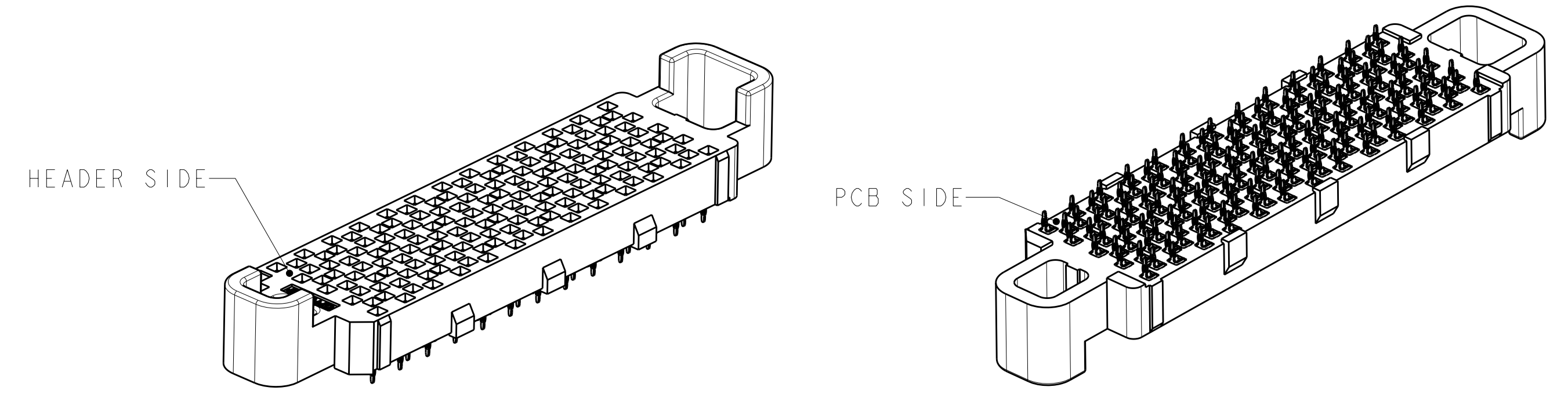
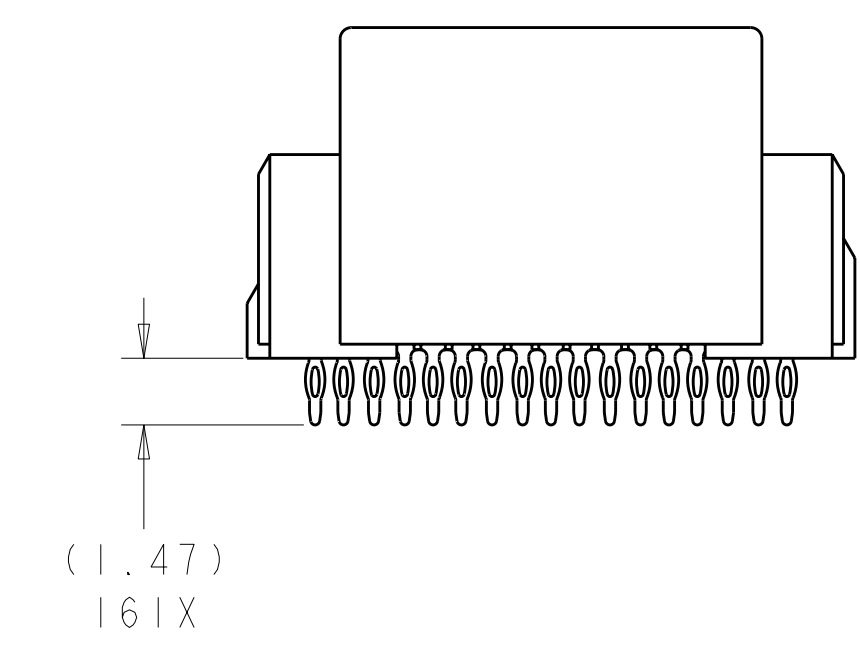
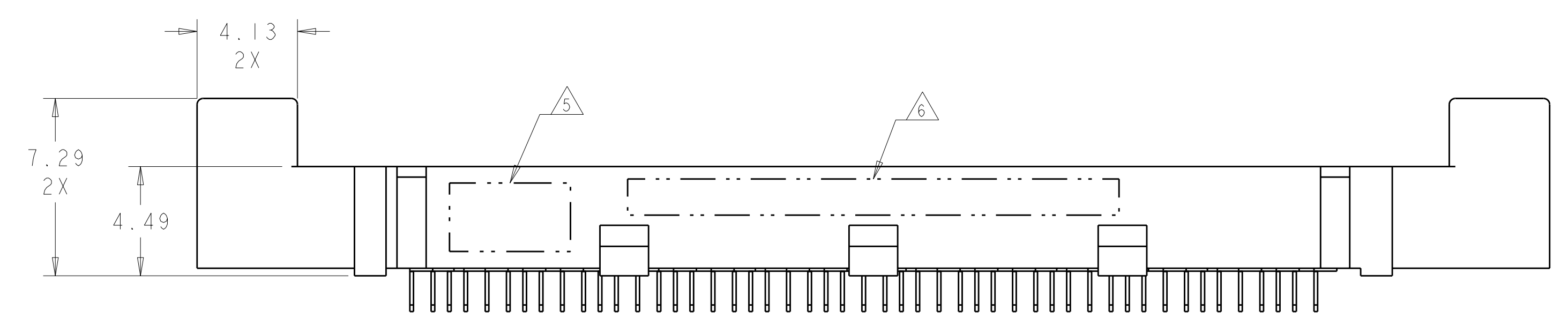
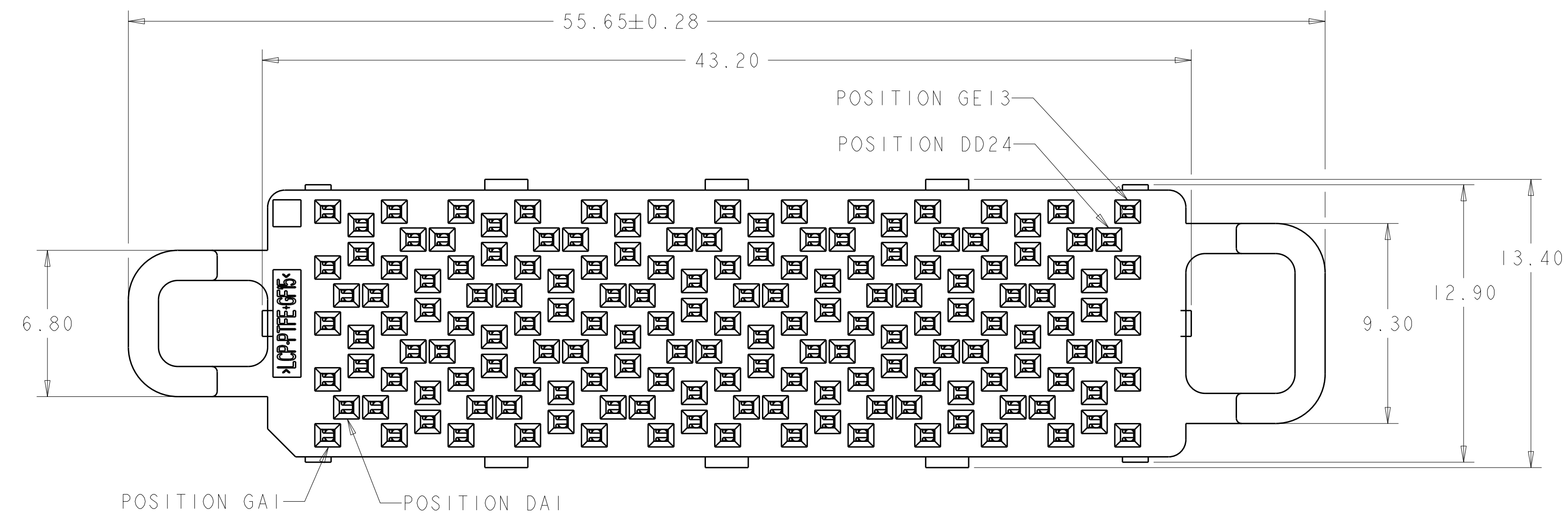


LOC	DIST	REVISIONS			
GP	00	REV	DATE	BY	APPV
		2	REVIS	12JAN2011	WS MH
		3	REVIS	11MAY2012	REH DT



ISOMETRIC VIEWS
SCALE 3:1



- 1 MATERIAL:
HOUSING: THERMOPLASTIC, FLAMMABILITY RATING UL94 V-0
CONTACT: COPPER ALLOY
- 2. CONFORMS TO THE REQUIREMENTS OF TE PRODUCT SPECIFICATION, 108-2375; BASED ON TELCORDIA GR-1217-CORE FOR SYSTEM QUALITY LEVEL III, APPLICATIONS IN CONTROLLED ENVIRONMENTS (CENTRAL OFFICE).
SEE TE PRODUCT SPECIFICATION 108-2375 FOR TEST SEQUENCES.
- 3 ROWS GA THRU GE (SHOWN DARKENED) ARE TYPICALLY USED AS GROUNDS.
- 4 SPECIFIED POSITIONAL TOLERANCE DEFINES HOLE TO HOLE LOCATION WITHIN HOLE PATTERN. POSITIONAL TOLERANCE OF HOLE PATTERN TO FIDUCIAL MARKS OR PCB DATUMS SHALL BE DEFINED BY CUSTOMER.
- 5 AREA RESERVED FOR TE CONNECTIVITY LOGO.
- 6 AREA RESERVED FOR PART NUMBER (X-XXXXXX-X) AND DATE CODE (YYWW).
- 7 USE CENTERLINES INDICATED ON PCB HOLE PATTERN TO ESTABLISH ALIGNMENT BETWEEN HEADER AND RECEPTACLE BOARDS.
- 8 PLATED THROUGH HOLE REQUIREMENTS:
HOLE SIZE PRIOR TO PLATING = $\varnothing 0.420 \pm 0.013$
COPPER PLATING THICKNESS = 0.038 ± 0.013
CALCULATED FINISHED HOLE SIZE = $\varnothing 0.344 \pm 0.039$
THESE DIMENSIONS APPLY TO THE TOP 1.25mm OF THE PCB THICKNESS FROM THE CONNECTOR MOUNTING SIDE.

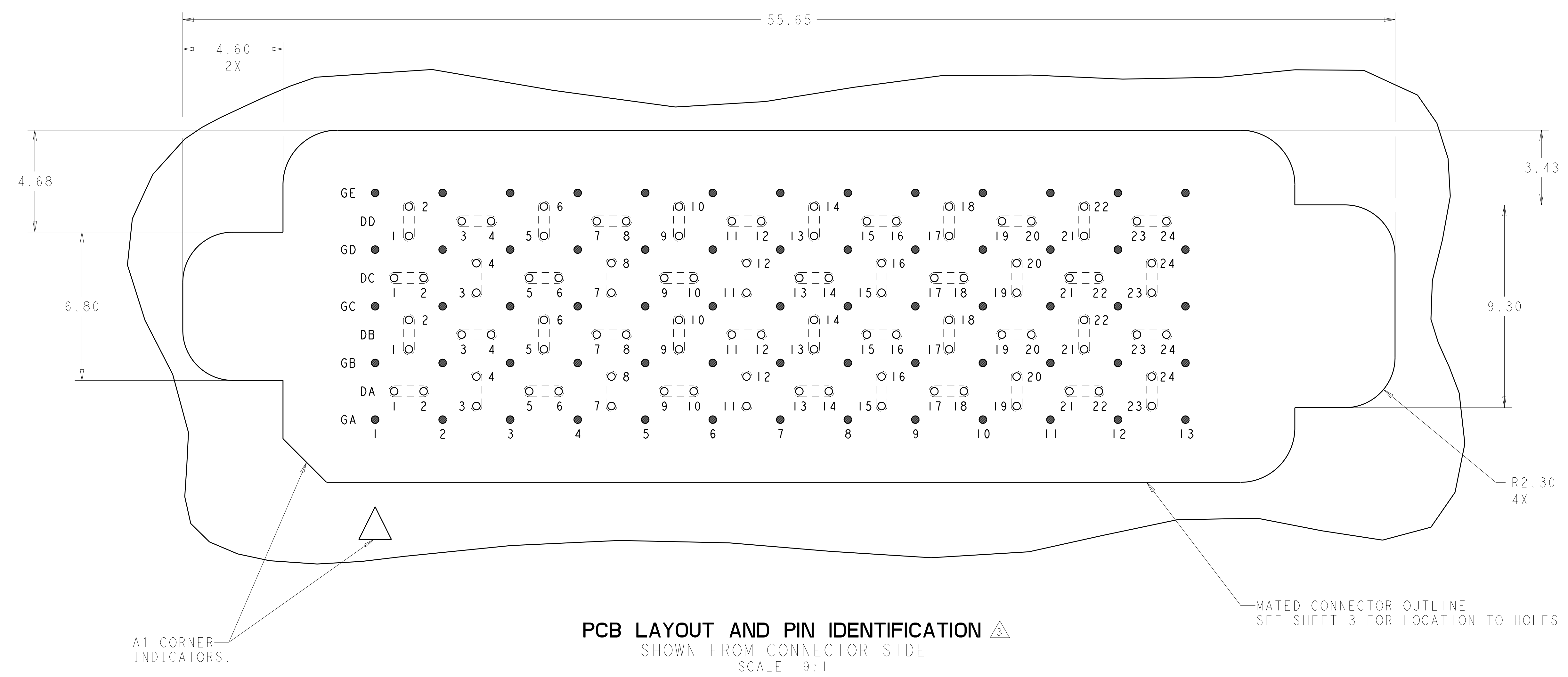
**SIZE 2 HALF-WIDE W/GUIDE POSTS *
48 DIFFERENTIAL PAIRS + GROUNDS
161 TOTAL SIGNAL CONTACTS**


* SIZE 1 AND SIZE 3 ARE ALSO AVAILABLE

THIS PRODUCT HAS NOT COMPLETED VALIDATION AND QUALIFICATION TESTING

THIS DRAWING IS A CONTROLLED DOCUMENT.		OWN: HAMNER 25SEP2010	5-2149781-1	
DIMENSIONS: mm		CHK: D. TROUT 29SEP2010	Sn/Pb 2149781-1	
TOLERANCES UNLESS OTHERWISE SPECIFIED:		APVD: FEDDER 29SEP2010	PART NUMBER	
9 PLC ±		TE Connectivity RECEPTACLE ASSEMBLY, HALF-WIDE, 48/161, STRADA MESA MEZZANINE CONNECTOR		
1 PLC ±0.13				
5 PLC ±0.013				
4 PLC ±				
MATERIAL:		PRODUCT SPEC: 108-2375	SIZE: A100779	DRAWING NO: C=2149781
FINISH:		APPLICATION SPEC: 114-13249	RESTRICTED TO:	
		WEIGHT: -	SCALE: 6:1	SHEET 1 OF 3 REV 3
		CUSTOMER DRAWING		

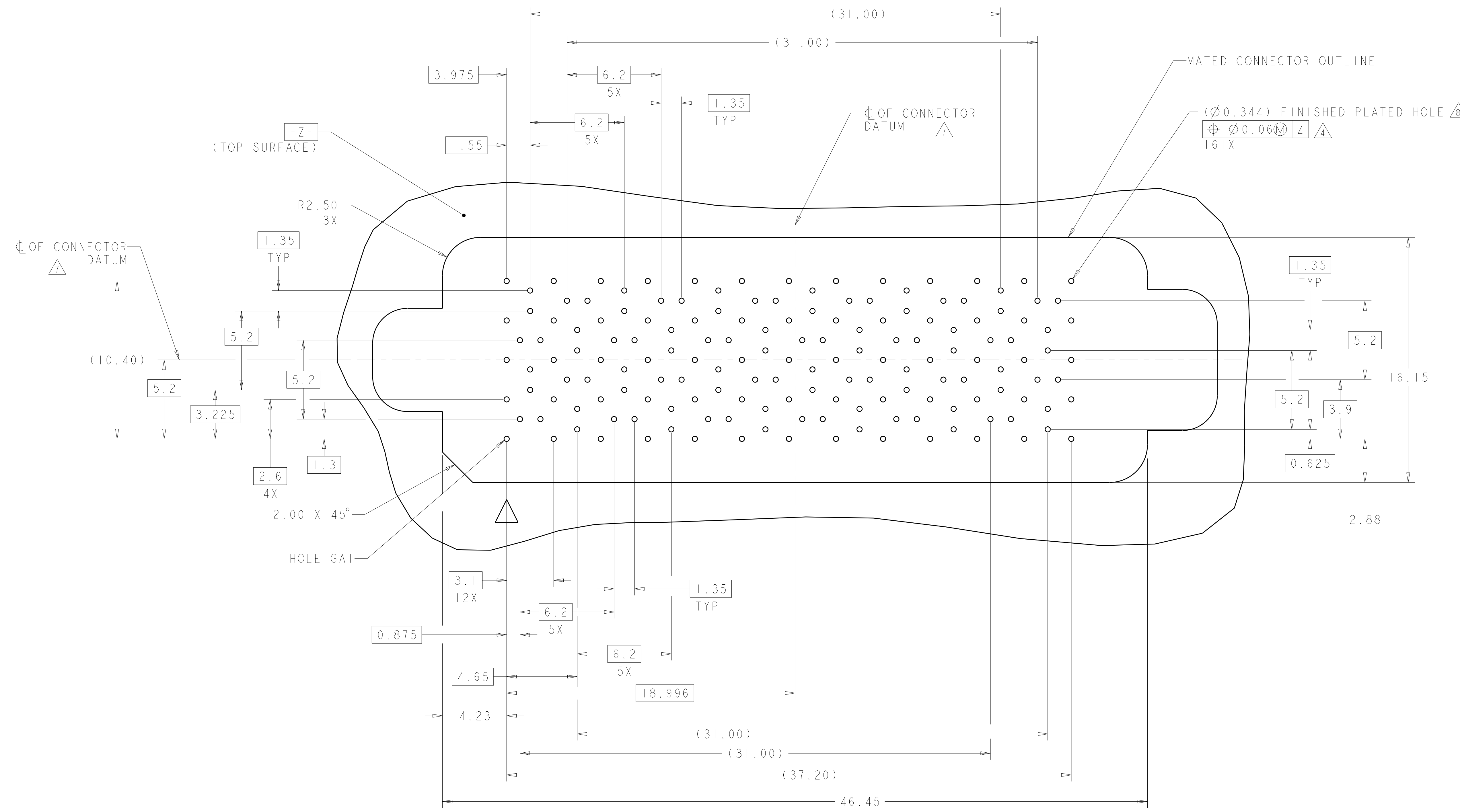
LOC	DIST	REVISIONS			
P	LTR	DESCRIPTION	DATE	DWN	APVD
GP	00	SEE SHEET 1			



THIS DRAWING IS A CONTROLLED DOCUMENT.		DWN HAMNER 25SEP2010	 TE Connectivity
DIMENSIONS: mm		CHK D. TROUT 29SEP2010	
TOLERANCES UNLESS OTHERWISE SPECIFIED:		APVD J. FEDEER 29SEP2010	NAME RECEPTACLE ASSEMBLY, HALF-WIDE, 48/161, STRADA MESA MEZZANINE CONNECTOR
9 PLC ±		PRODUCT SPEC 108-2375	SIZE CAGE CODE DRAWING NO RESTRICTED TO
2 PLC ±0.13		APPLICATION SPEC 114-13249	A100779C=2149781
3 PLC ±0.013		WEIGHT	SCALE 6:1 SHEET 2 OF 3 REV 3
4 PLC ±		MATERIAL	CUSTOMER DRAWING
ANGLES ±#1		FINISH	

LOC	DIST	REV	DATE	BY	APPD
GP	00				

REVISIONS		DATE	BY	APPD
1	SEE SHEET 1			



PCB HOLE PATTERN
 SHOWN FROM CONNECTOR SIDE
 SCALE 7:1

THIS DRAWING IS A CONTROLLED DOCUMENT.		DWN HAMNER 25SEP2010	STE TE Connectivity
DIMENSIONS: mm		CHK D. TROUT 29SEP2010	
TOLERANCES UNLESS OTHERWISE SPECIFIED:		APVD J. FEDDER 29SEP2010	NAME RECEPTACLE ASSEMBLY, HALF-WIDE, 48/161, STRADA MESA MEZZANINE CONNECTOR
<ul style="list-style-type: none"> 0 PLC ± 1 PLC ±0.13 2 PLC ±0.013 3 PLC ± 4 PLC ± ANGLES ±1 FINISH 		PRODUCT SPEC 108-2375	SIZE CAGE CODE DRAWING NO. A1100779C=2149781
MATERIAL		APPLICATION SPEC 114-13249	RESTRICTED TO
		WEIGHT	SCALE 6:1 SHEET 3 OF 3 REV 3
		CUSTOMER DRAWING	

单击下面可查看定价，库存，交付和生命周期等信息

[>>TE Connectivity\(泰科\)](#)