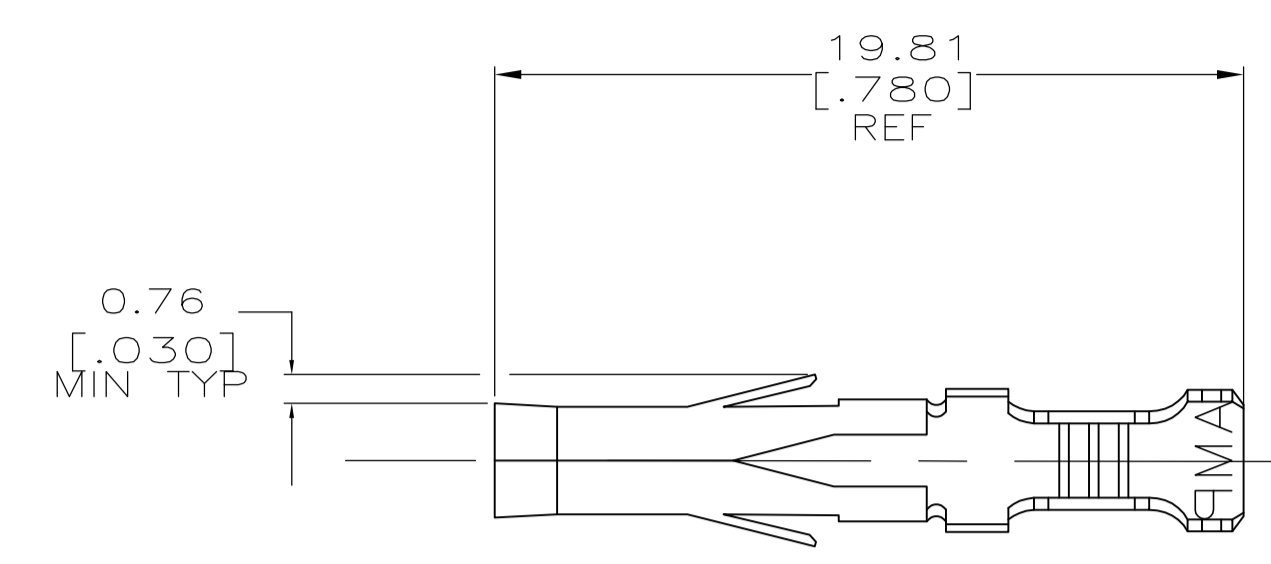
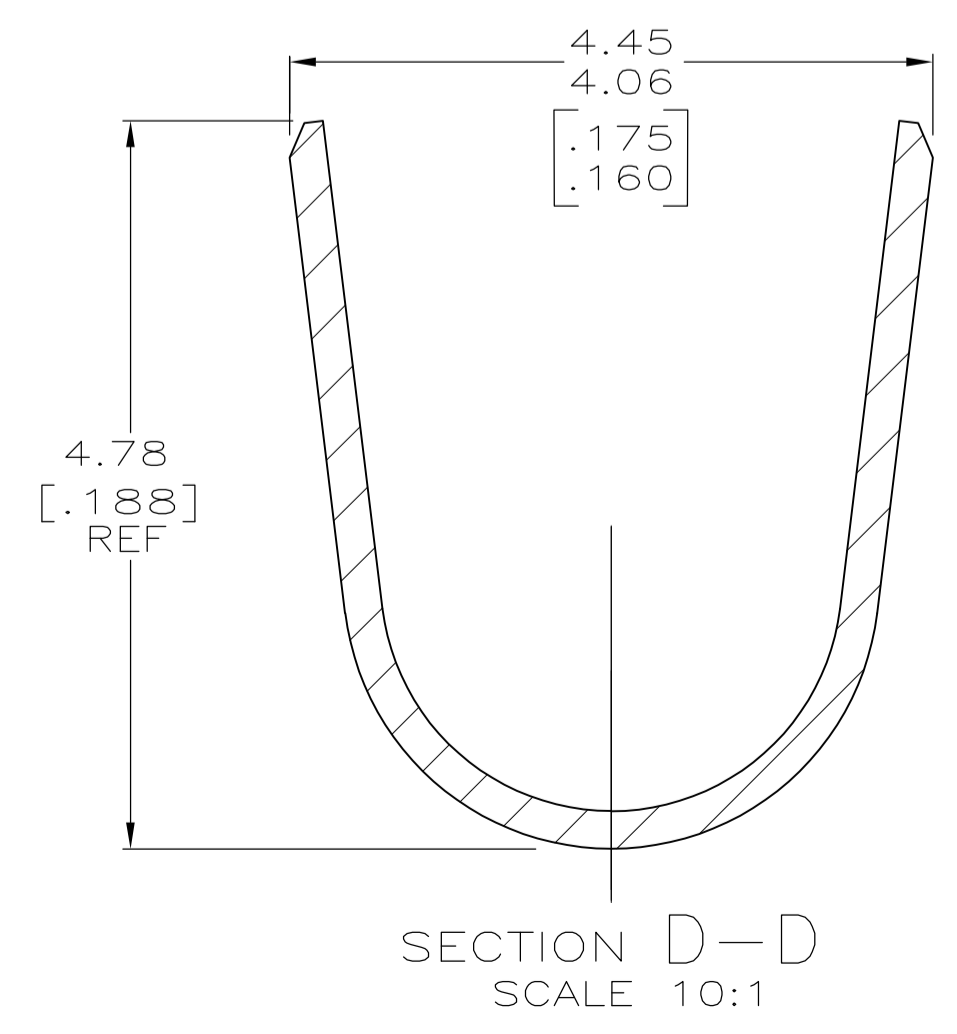
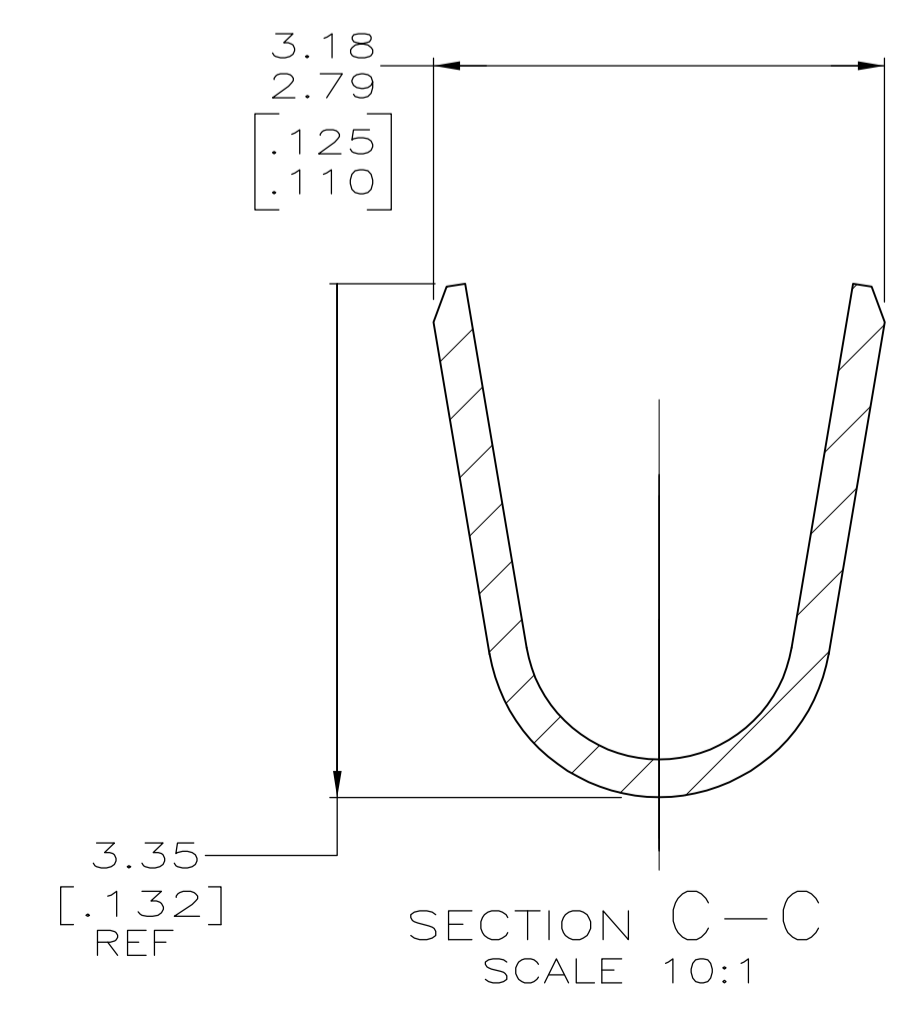
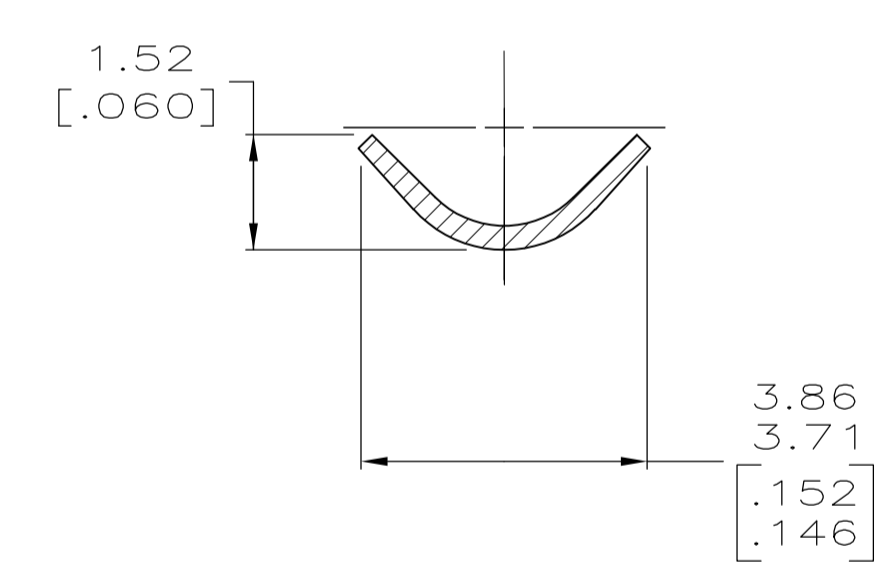
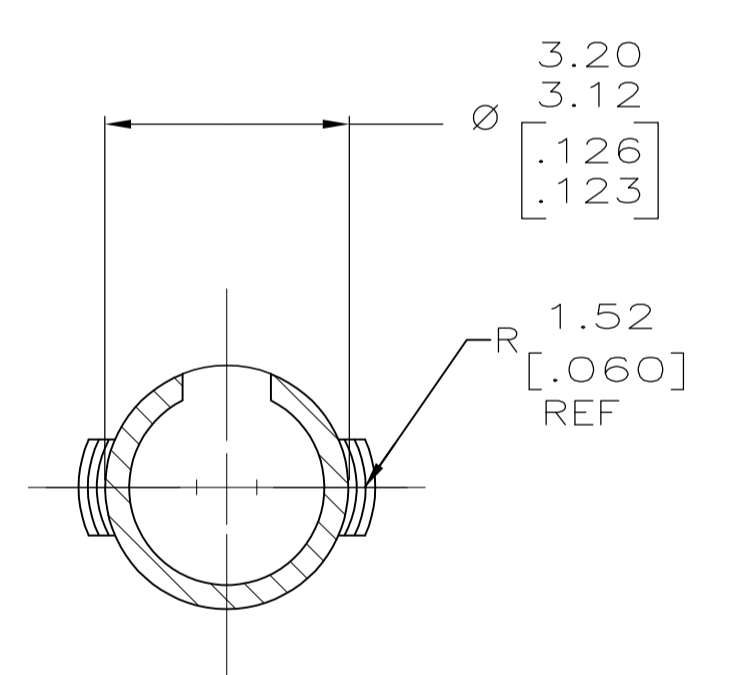
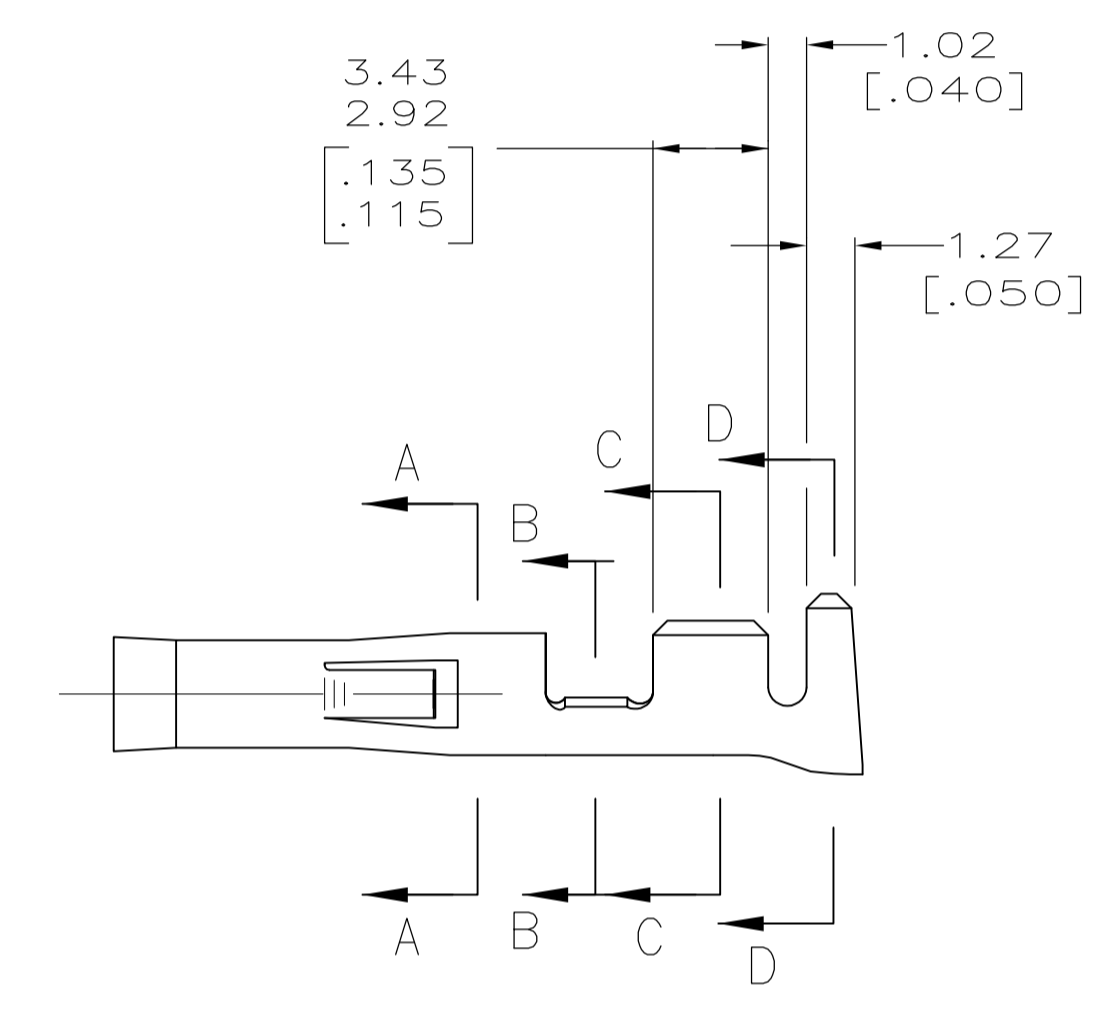
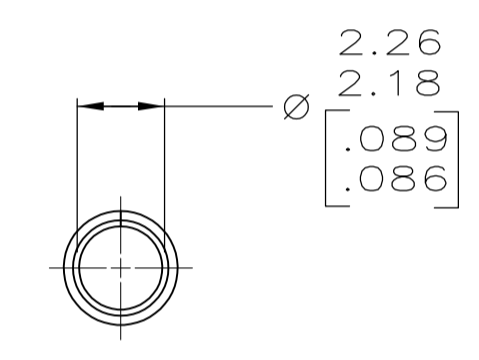


LOC		DIST		REVISIONS			
P	LTR	DESCRIPTION	DATE	DWN	APVD		
F		ECO-07-014387	19JUN07	KW	CC		



- 1. 0.00127 [.000050] NICKEL PLATE WITH 0.00076 [.000030] GOLD PLATE ON INSIDE OF RECEPTACLE.
- 2. WIRE RANGE: 0.5-2mm² (20-14 AWG).
- 3. INSULATION RANGE: 3.56 [.140] MAX. DIA.
- 4. DIMENSIONS IN BRACKETS ARE IN INCHES.



PRE-TIN	0.25 [.010] PHOS BRZ	770144-6
△	0.25 [.010] BRASS	770144-5
PRE-TIN	0.25 [.010] BRASS	770144-1
FINISH	MATERIAL	PART NO

METRIC

THIS DRAWING IS A CONTROLLED DOCUMENT.		DWN K. WHITAKER 19JUN2007	Tyco Electronics Corporation Harrisburg, PA 17105-3608	
DIMENSIONS: mm [INCHES]		CHK C. CASH 19JUN2007	NAME SOCKET, .093, LOOSE PIECE, COMMERCIAL PIN AND SOCKET	
TOLERANCES UNLESS OTHERWISE SPECIFIED:		APVD C. CASH 19JUN2007	RESTRICTED TO	
0. PLC ± -	1. PLC ± -	APPLICATION SPEC	SIZE A1	CAGE CODE 00779
2. PLC ± 0.13 [.005]	3. PLC ± -	WEIGHT	DRAWING NO 770144	REV F
4. PLC ± -	ANGLES ± -	CUSTOMER DRAWING	SCALE 5:1	SHEET 1 OF 1

单击下面可查看定价，库存，交付和生命周期等信息

[>>TE Connectivity\(泰科\)](#)