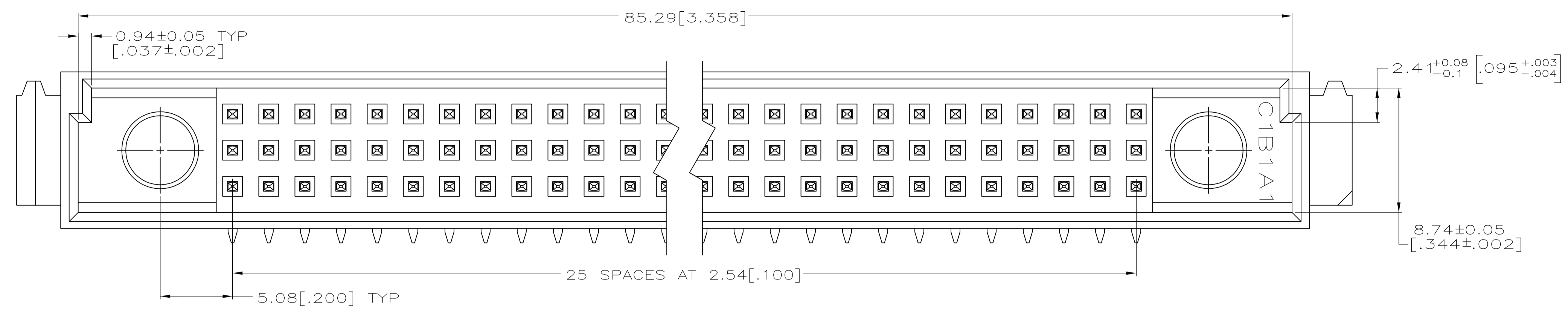
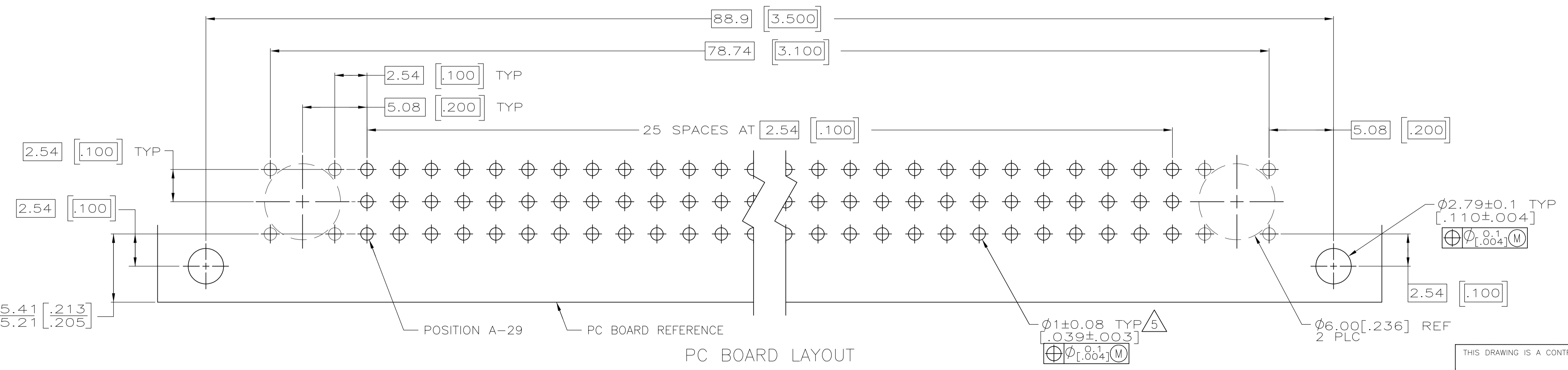
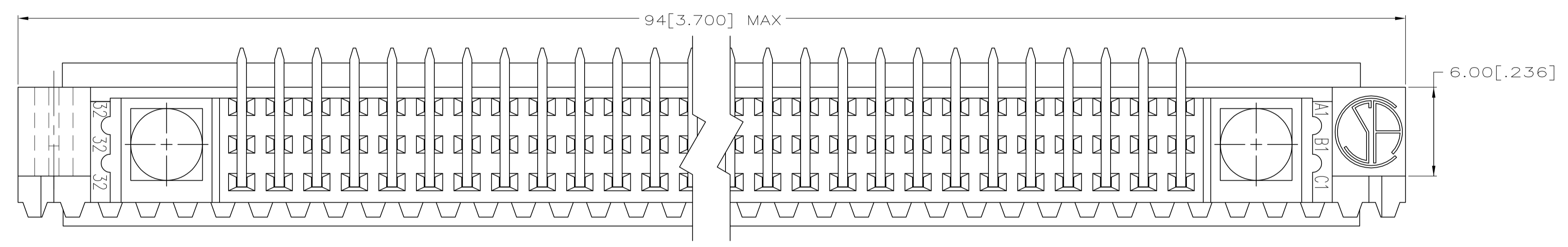
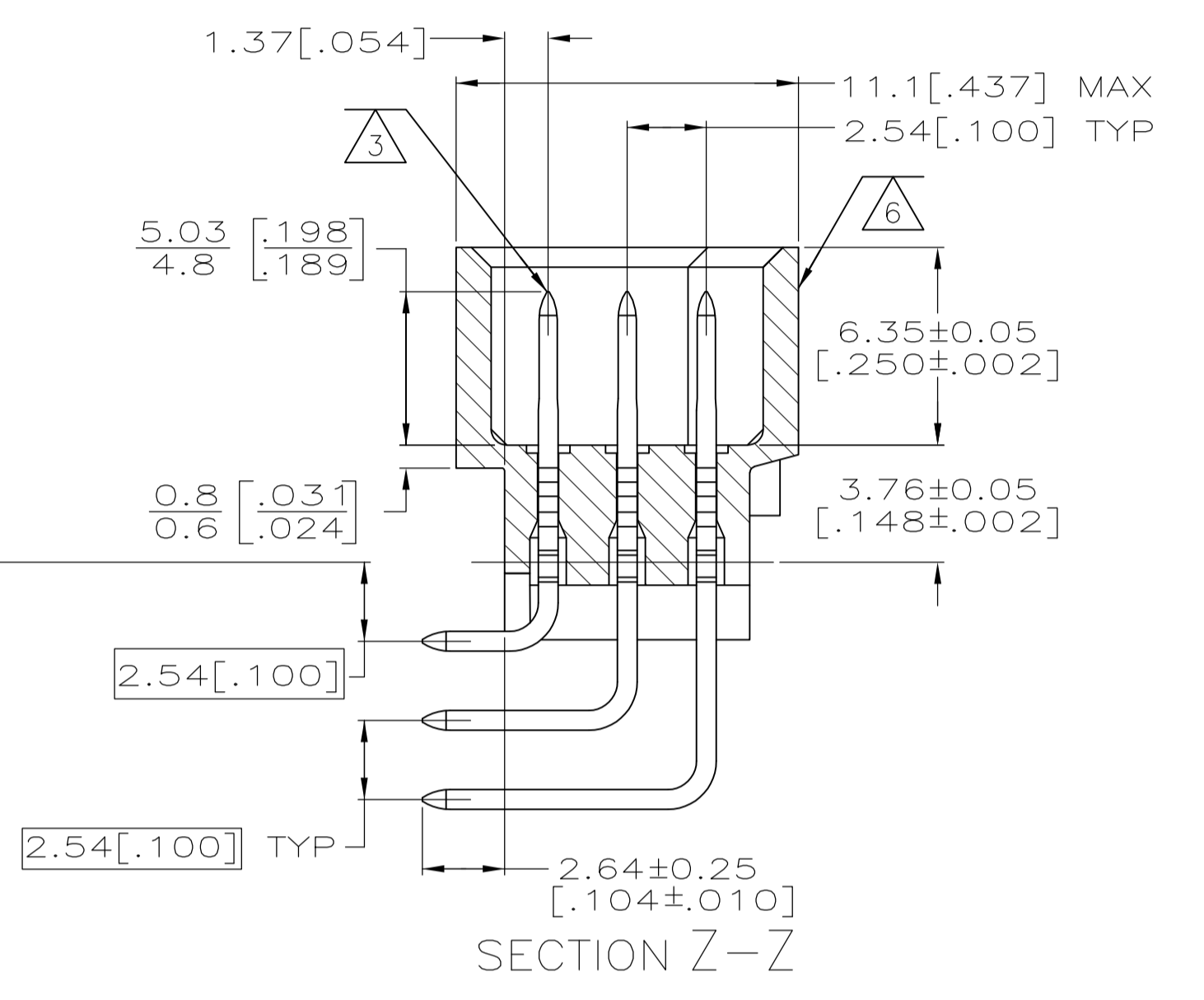
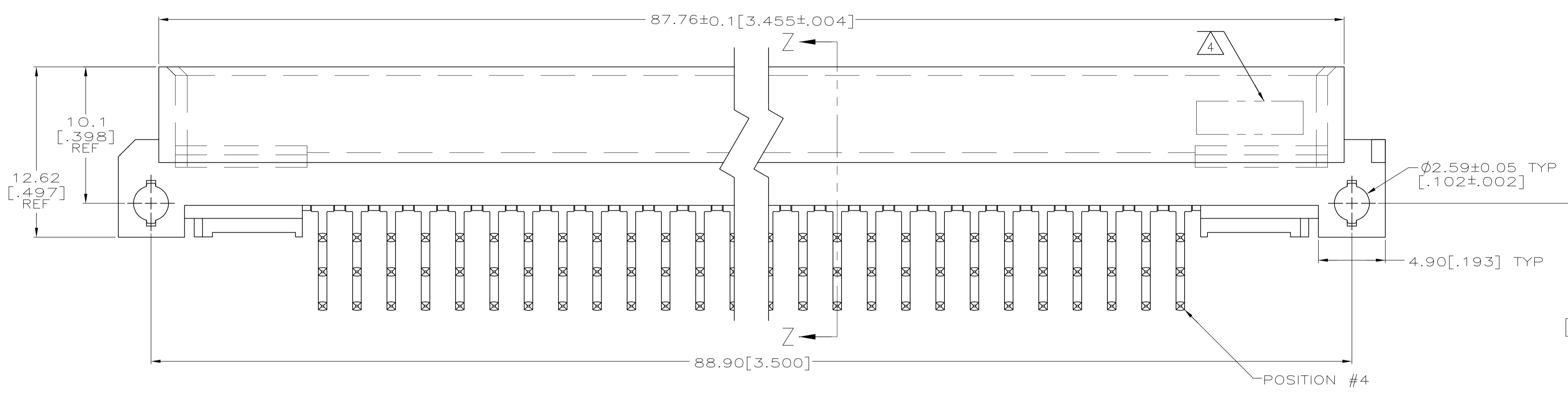


LOC		DIST		REVISIONS			
P	LTR	DESCRIPTION	DATE	DN	APVD		
01		REVISED PER ECO-08-013375	09JUN08	DH	DB		



- 1 HOUSING MATERIAL: GLASS-FILLED POLYMER.
- 2 POST MATERIAL: COPPER ALLOY.
- 3 POST FINISH: DIN 41612 CLASS 2 IN CONTACT AREA. TIN PLATE ON POSTS.
- 4 PART NUMBER AND DATE CODE IN THIS APPROXIMATE AREA.
- 5 RECOMMENDED HOLE SIZE FOR MANUAL APPLICATION OF CONNECTOR ONTO PC BOARD.
- 6 MARKING THIS SIDE.



5148411-5  
PART NUMBER

THIS DRAWING IS A CONTROLLED DOCUMENT.		DIN J. POLIGNONE 21APR08	Tyco Electronics Corporation Harrisburg, PA 17105-3608
DIMENSIONS: mm [INCHES]		CHK: A. SHARPE 21APR08	
TOLERANCES UNLESS OTHERWISE SPECIFIED:		APVD: A. SHARPE 21APR08	NAME: ASSEMBLY, PIN, RIGHT ANGLE, TYPE M, EUROCARD, 78+2, SOLDER, 2.64[.104]
0 PLC ± -	1 PLC ± -	2 PLC ± 0.13[.005]	APPLICATION SPEC
3 PLC ± -	4 PLC ± -	ANGLES ± -	SIZE: A1
MATERIAL 1 2	FINISH 3	WEIGHT -	CAGE CODE: 00779
CUSTOMER DRAWING		SCALE: 5:1	DRAWING NO: 5148411
		SHEET: 1 OF 1	REV: 01

单击下面可查看定价，库存，交付和生命周期等信息

[>>TE Connectivity\(泰科\)](#)