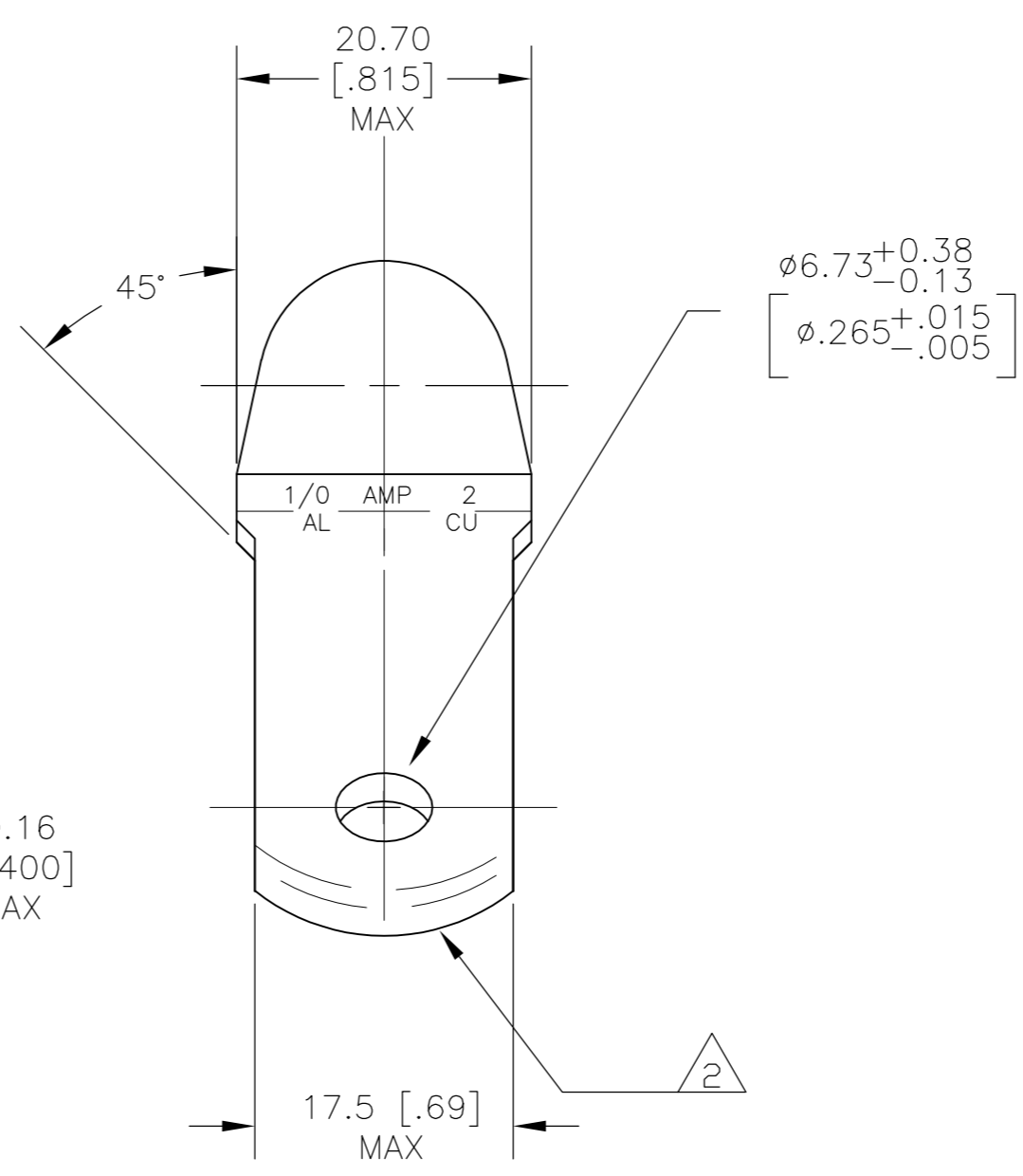
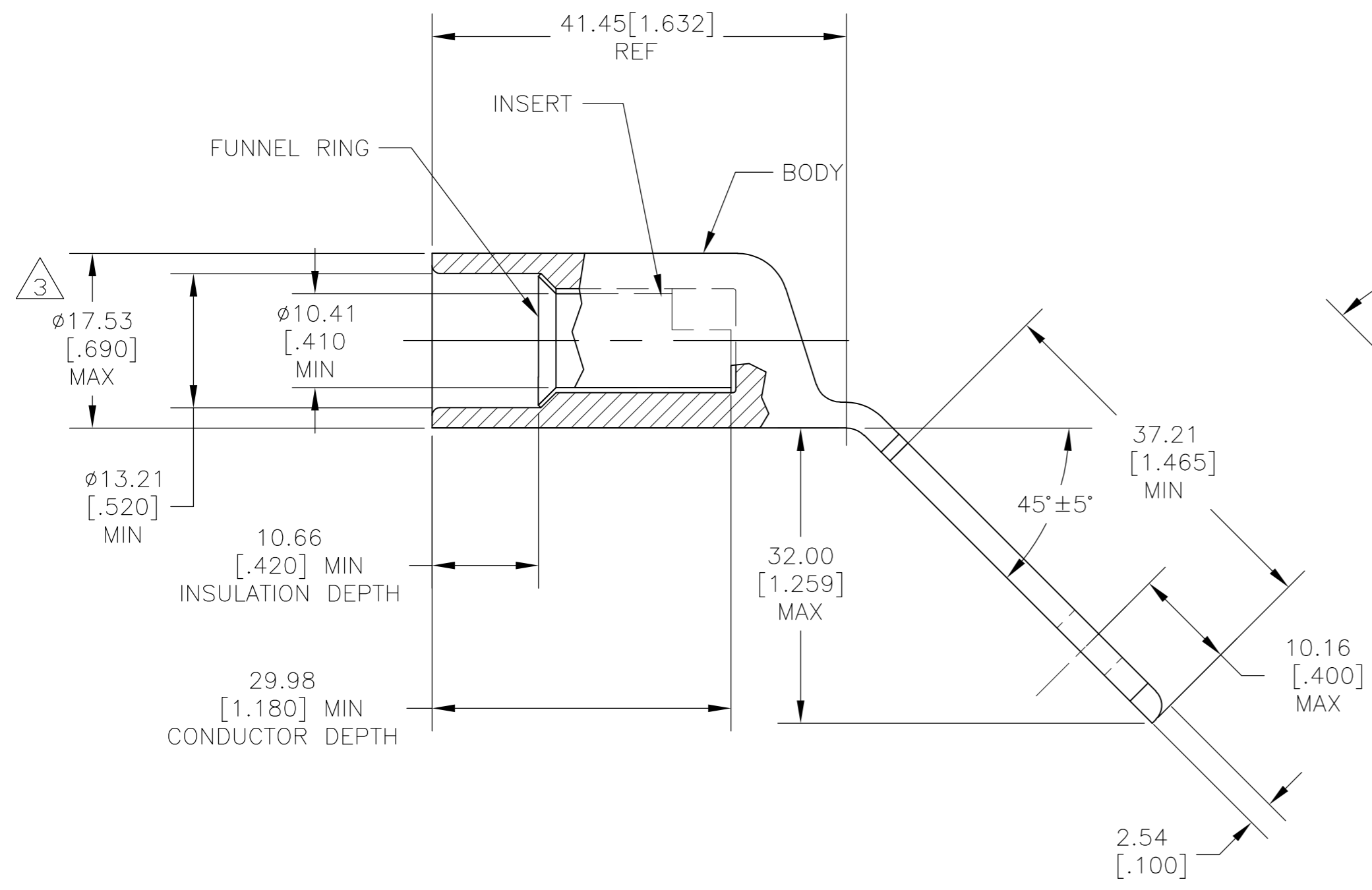


THIS DRAWING IS UNPUBLISHED. RELEASED FOR PUBLICATION
 © COPYRIGHT - By - ALL RIGHTS RESERVED.

LOC		DIST		REVISIONS			
P	LTR	DESCRIPTION	DATE	DWN	APVD		
	B	REV PER ECO 14-002303	3-3-14	CT	PD		



- 1 WIRE INSULATION: 10.79-11.94 [.425-.470] DIA
- 2 THE TONGUE RADIUS FEATURE IS NOT A TOOLING CONTROLLED DIMENSION AND MAY NOT BE A TRUE RADIUS.
- 3 FLASH PERMITTED ±.020

BODY: COPPER ASTM-B187 ANNEALED TIN PL PER ASTM B-545 .000150 MIN THK INSERT & FUNNEL: BRASS PER ASTM B36 NICKEL PLATE SAE AMS QQ-N-290A, DATED JULY 2000, 0.00254 [.000100] MIN THK	1958195-1
MATERIAL & FINISH	PART NO.

THIS DRAWING IS A CONTROLLED DOCUMENT.		DWN	12MAR08	TE Connectivity	
DIMENSIONS: INCHES		CHK	12MAR08		
TOLERANCES UNLESS OTHERWISE SPECIFIED:		NAME			
0 PLC ± - 1 PLC ± - 2 PLC ± 0.51[.020] 3 PLC ± - 4 PLC ± - ANGLES ± - FINISH SEE TABLE		RAY LONDON RAY LONDON PRODUCT SPEC APPLICATION SPEC WEIGHT -			
MATERIAL SEE TABLE		APVD 12MAR08 RAY LONDON PRODUCT SPEC APPLICATION SPEC WEIGHT -		NAME TERMINAL, RING TONGUE, SEALED COPALUM, WIRE SIZE: 1/0 AL - 2 CU	
		SIZE A2 CAGE CODE 00779 DRAWING NO. C=1958195		RESTRICTED TO -	
		CUSTOMER DRAWING SCALE 2:1 SHEET 1 of 1 REV B			

1958195

单击下面可查看定价，库存，交付和生命周期等信息

[>>TE Connectivity\(泰科\)](#)