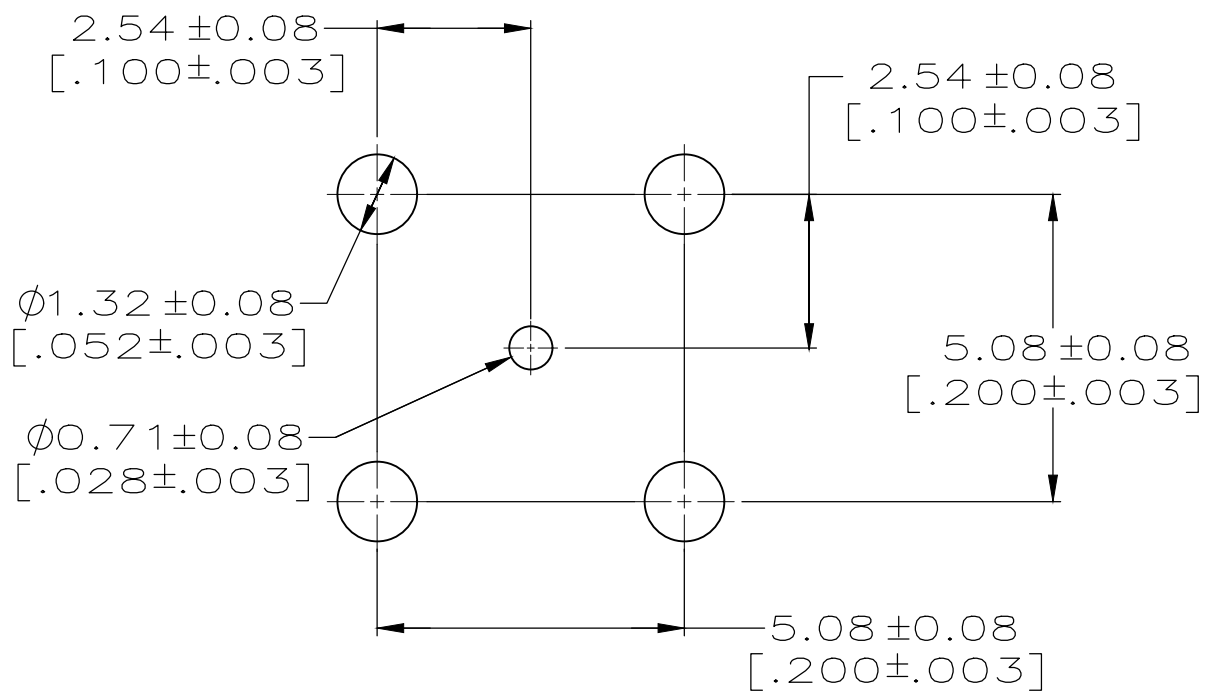
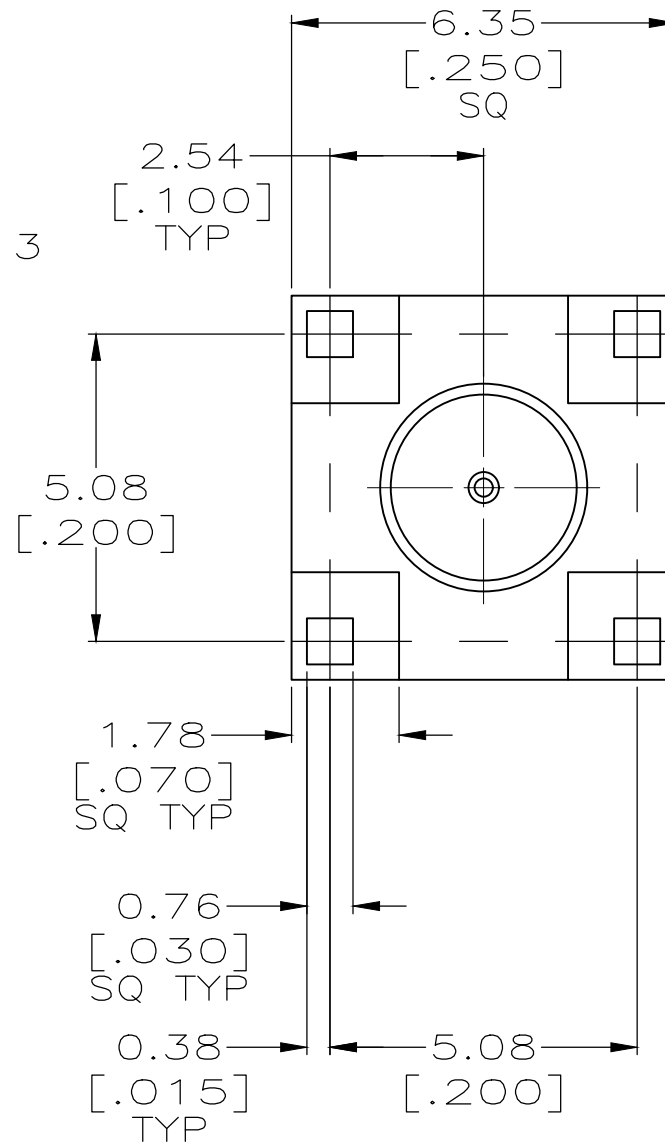
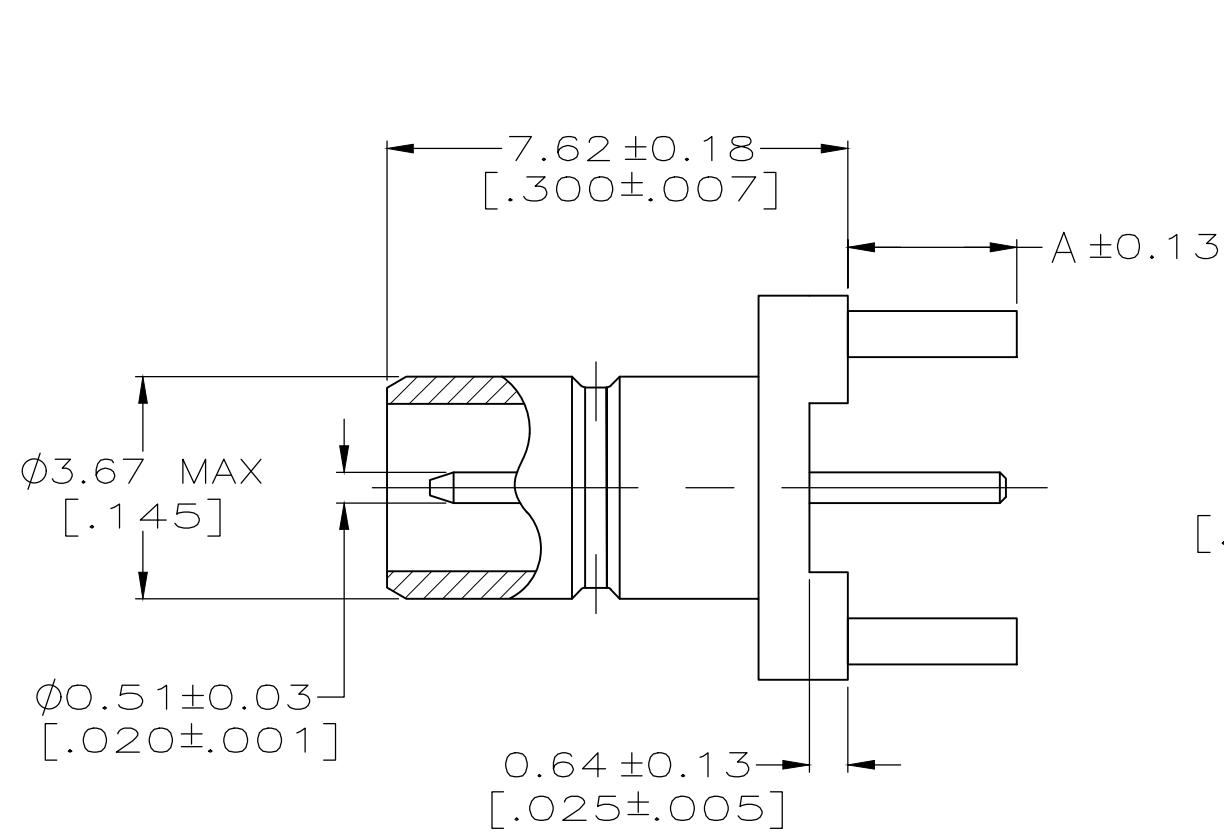


P	LTR	DESCRIPTION	DATE	DWN	APVD
	B2	REVISED PER ECR-20-013534	23SEP2020	RZ	RS



- 1 MATERIALS:  
BODY: BRASS PER QQ-B-626.  
CONTACT: BRASS PER QQ-B-626.  
DIELECTRIC: PTFE PER ASTM-D-1710.
- 2 FINISHES:  
BODY: GOLD PER MIL-G-45204.  
CONTACT: GOLD PER MIL-G-45204.
- 3 FINISHES:  
BODY: GOLD FLASH PER MIL-G-45204  
OVER NICKEL PER QQ-N-290.  
CONTACT: GOLD PER MIL-G-45204.
- 4 SEE SEPERATE RESTRICTED  
CUSTOMER DRAWING WITH THIS  
PART NUMBER.

3.05	[.120]	3	415504-7
-	-	-	415504-6
3.05	[.120]	3	415504-4
3.05	[.120]	2	415504-3
2.11	[.083]	3	415504-2
2.11	[.083]	2	415504-1
A		FINISH	PART NUMBER

OBSOLETE

THIS DRAWING IS A CONTROLLED DOCUMENT.		DWN B.MOYER 27JUN96	<b>STE</b> TE Connectivity		
DIMENSIONS: mm [INCHES]		CHK G. MICHAEL 28JUN96			
TOLERANCES UNLESS OTHERWISE SPECIFIED:		APVD G. MICHAEL 28JUN96	NAME STRAIGHT JACK, PCB, 75 OHM, MINI-SMB		
0 PLC ± -		PRODUCT SPEC	APPLICATION SPEC		
1 PLC ± -		SIZE		CAGE CODE	DRAWING NO
2 PLC ± 0.05 [.002]		WEIGHT		RESTRICTED TO	
3 PLC ± -		0.000000		-	
4 PLC ± -		A3		00779	
ANGLES ± -		G-415504		SCALE	
FINISH		CUSTOMER DRAWING		8:1	
1		2 3		SHEET	
				1 OF 1	
				REV	
				B2	

RECOMMENDED PCB CONFIGURATION

单击下面可查看定价，库存，交付和生命周期等信息

[>>TE Connectivity\(泰科\)](#)