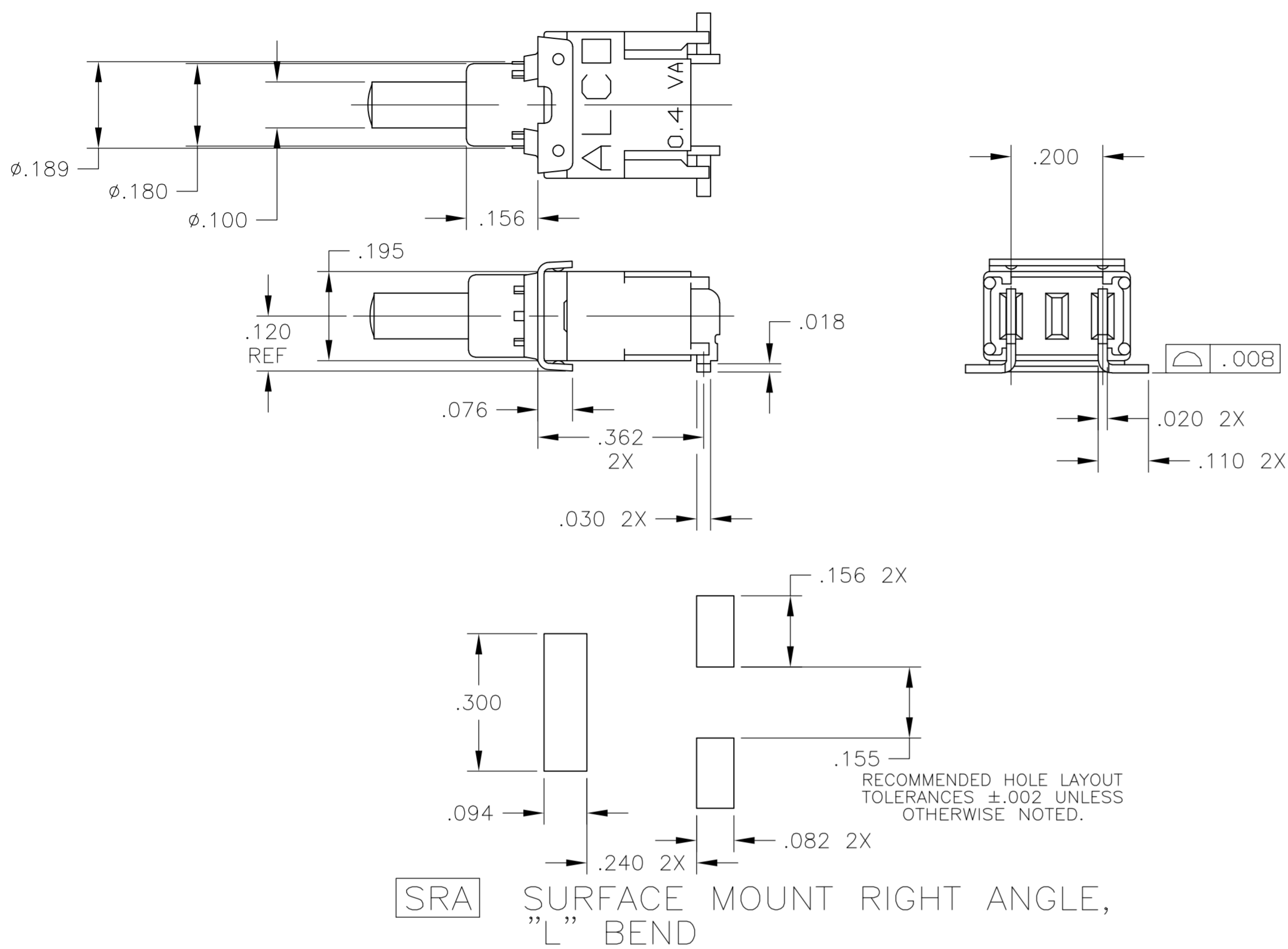


THIS DRAWING IS UNPUBLISHED. RELEASED FOR PUBLICATION  
 © COPYRIGHT BY TYCO ELECTRONICS CORPORATION. ALL RIGHTS RESERVED.

LOC		DIST		REVISIONS			
P	LTR	DESCRIPTION		DATE	DWN	APVD	
	B	REVISED PER ECO-08-012779		23MAY08	HMR	MW	



**SPECIFICATIONS:**

**MATERIALS:**

CASE & BUSHING: LCP  
 BUTTON: POLYAMIDE  
 SPRING: MUSIC WIRE, ZN PLATED  
 MOVABLE CONTACT: BRASS OR COPPER ALLOY, AU OVER NI PLATED.  
 BRACKET: STEEL, TIN OVER COPPER PLATED  
 TERMINALS: BRASS, TIN OVER NICKEL IN SOLDER AREA AND GOLD OVER NI IN CONTACT AREA.  
 O-RING: NITRILE

**ELECTRICAL:**

CONTACT RATING: 0.4VA @ 20 VAC/DC  
 INITIAL CONTACT RESISTANCE: 20 MILLIOHMS MAX.  
 INSULATION RESISTANCE: 1000 MEGOHMS @ 500V DC MIN.  
 DIELECTRIC STRENGTH: 1000 VOLTS RMS AT SEA LEVEL.

LIFE EXPECTANCY: 80,000 CYCLES

**MECHANICAL:**

ACTUATION TRAVEL: .035

**ENVIRONMENTAL:**

OPERATING TEMPERATURE: -22°F TO +185°F  
 (-30°C TO +85°C)  
 STORAGE TEMPERATURE: -67°F TO +185°F  
 (-55°C TO +85°C)

**NOTES:**

- ALL MATERIALS AND FINISHES COMPLY WITH EU DIRECTIVE 2002/95/EC OF 27JAN2003 (ROHS)
- REFLOW SOLDER PROCESS CABLE TO 245°C

FIGURE 1

FUNCTION CHART	
THE FOLLOWING FUNCTIONS AVAILABLE IN SINGLE POLE.	
2 POSITIONS OFF (ON) TERMINALS CONNECTED: 1-3	
OFF INDICATES A MECHANICAL POSITION WITH NO ELECTRICAL CONNECTION. (ON) INDICATES MOMENTARY ACTION	

TSPD11CGSRA004	1 - 3	OFF (ON)	1977298-1
MODEL NUMBER	CONNECTED TERMINALS	FUNCTION	PART NUMBER

THIS DRAWING IS A CONTROLLED DOCUMENT.		DWN M.BINNER 01MAR05	Tyco Electronics Corporation Harrisburg, Pa 17105-3608	
DIMENSIONS: INCHES		CHK M.ZITTO 01MAR05	NAME	
TOLERANCES UNLESS OTHERWISE SPECIFIED:		APVD M.ZITTO 01MAR05	SEALED PUSHBUTTON SWITCH SINGLE POLE, TSP SERIES, ROHS COMPLIANT	
0 PLC ± -	1 PLC ± -	PRODUCT SPEC	SIZE A2	CAGE CODE 00779
2 PLC ± -	3 PLC ± .010	APPLICATION SPEC	DRAWING NO C=1977298	RESTRICTED TO
4 PLC ± -	ANGLES ± 1'	WEIGHT -	SCALE 4:1	SHEET 1 OF 1
MATERIAL -	FINISH -	CUSTOMER DRAWING	REV B	

单击下面可查看定价，库存，交付和生命周期等信息

[>>TE Connectivity\(泰科\)](#)