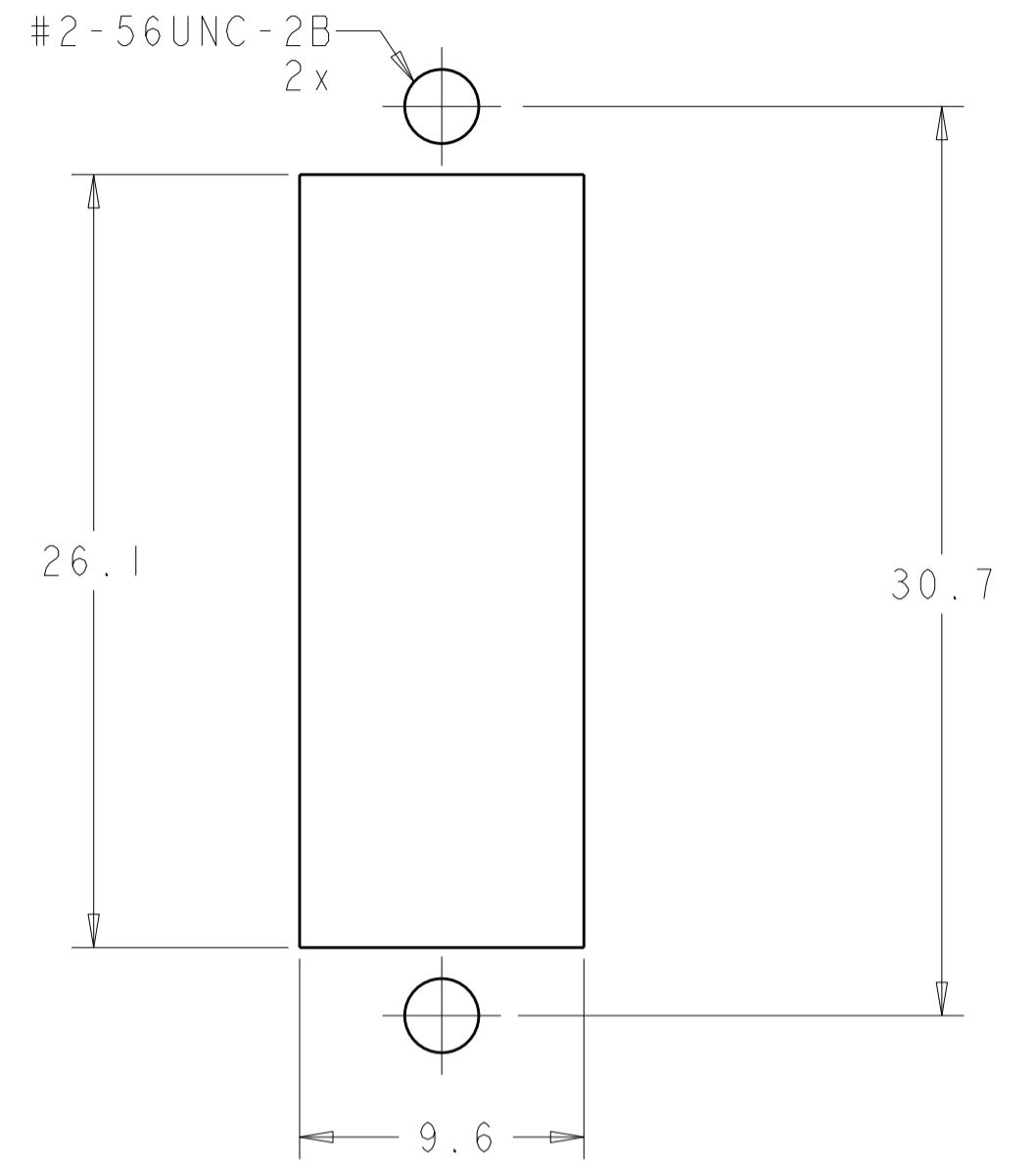
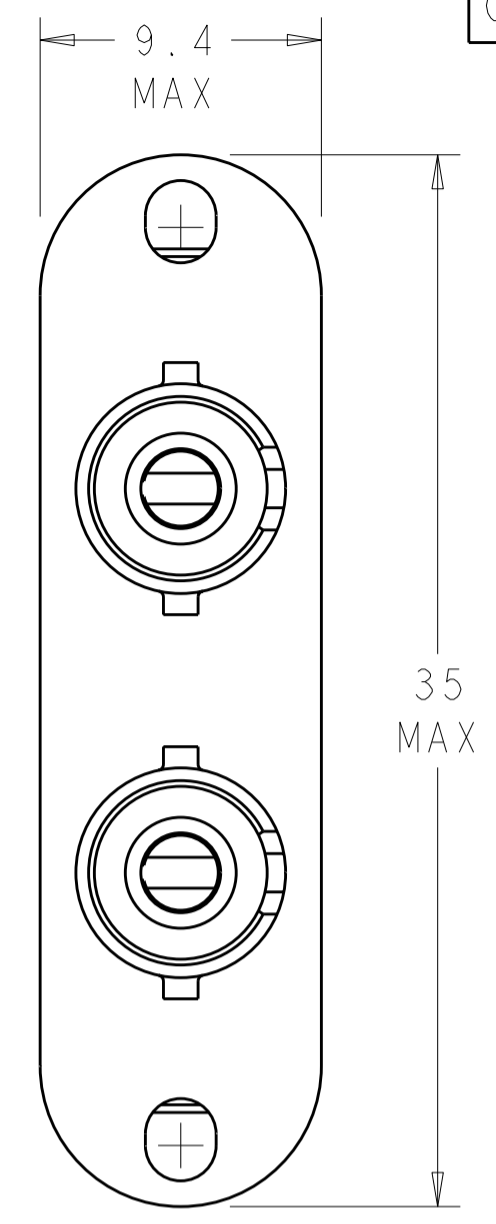
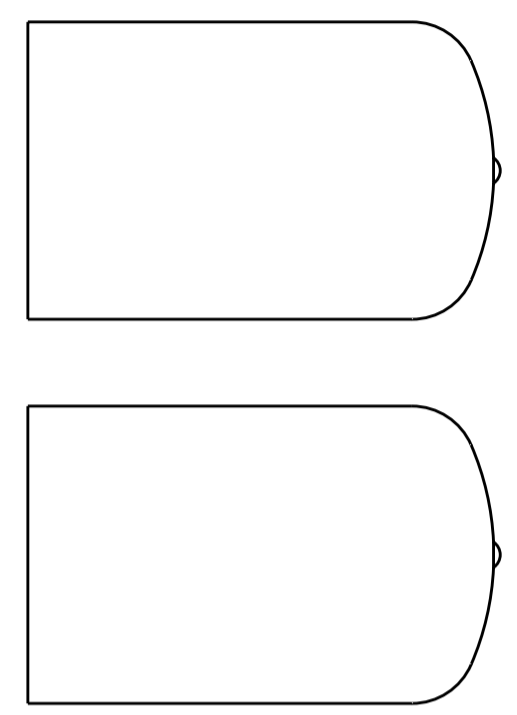
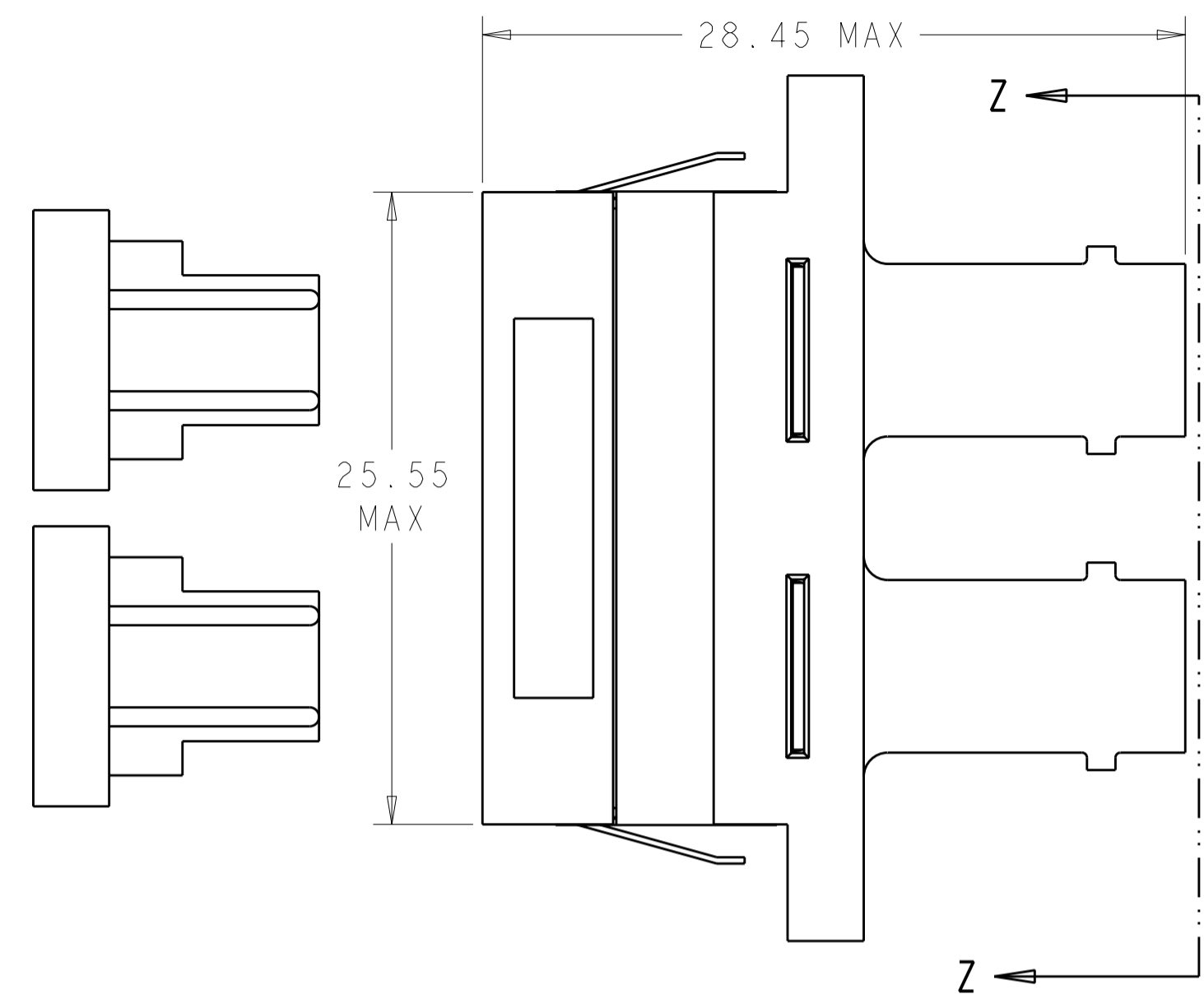
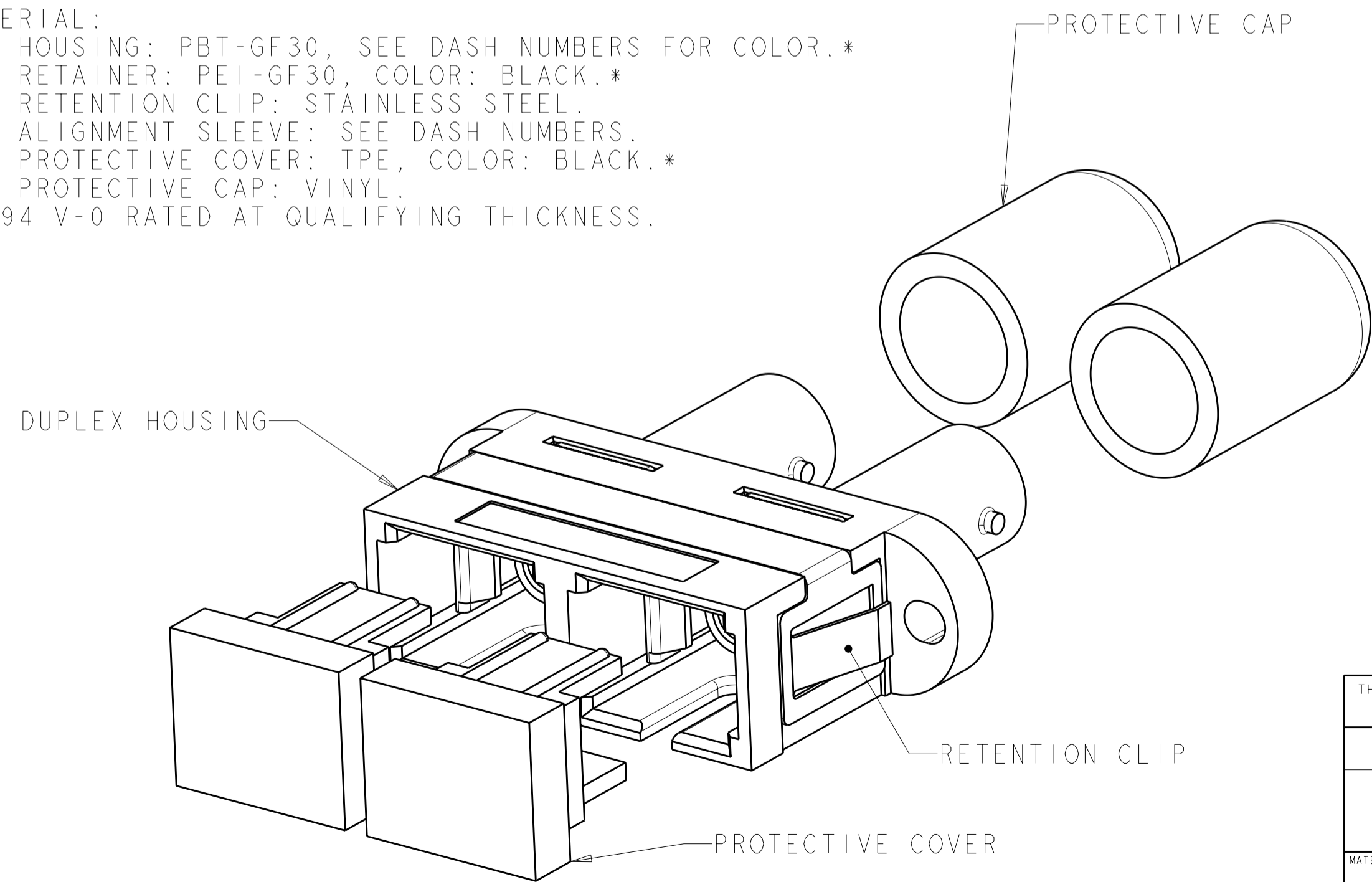


THIS DRAWING IS UNPUBLISHED. RELEASED FOR PUBLICATION 20
 © COPYRIGHT 20 BY - ALL RIGHTS RESERVED.

| LOC | DIST | REVISIONS | | | |
|-----|------|---------------------------|-----------|-----|------|
| P | LTR | DESCRIPTION | DATE | DWN | APVD |
| CE | 00 | | | | |
| | DI | REVISED PER ECO-11-005027 | 16MAR2011 | RK | HMR |



MATERIAL:
 HOUSING: PBT-GF30, SEE DASH NUMBERS FOR COLOR.*
 RETAINER: PEI-GF30, COLOR: BLACK.*
 RETENTION CLIP: STAINLESS STEEL.
 ALIGNMENT SLEEVE: SEE DASH NUMBERS.
 PROTECTIVE COVER: TPE, COLOR: BLACK.*
 PROTECTIVE CAP: VINYL.
 *UL94 V-0 RATED AT QUALIFYING THICKNESS.



| | | | |
|----------------|------------------|-----------|-------------|
| RETENTION CLIP | METAL | AQUA | 2-5503137-1 |
| RETENTION CLIP | CERAMIC | AQUA | 1-5503137-9 |
| NONE | METAL | BLACK | 1-5503137-7 |
| NONE | CERAMIC | LT ALMOND | 1-5503137-5 |
| RETENTION CLIP | CERAMIC | BEIGE | 5503137-6 |
| RETENTION CLIP | CERAMIC | BLUE | 5503137-5 |
| RETENTION CLIP | CERAMIC | BLACK | 5503137-4 |
| RETENTION CLIP | METAL | BEIGE | 5503137-3 |
| RETENTION CLIP | METAL | BLUE | 5503137-2 |
| RETENTION CLIP | METAL | BLACK | 5503137-1 |
| HARDWARE | ALIGNMENT SLEEVE | COLOR | PART NUMBER |

THIS DRAWING IS A CONTROLLED DOCUMENT. DWN B. BRIGGS 13MAY2005
 CHK S. MILLER 13MAY2005
 APVD S. BUCHTER 13MAY2005

STE TE Connectivity

NAME: RECEPTACLE ASSEMBLY, DUPLEX, AMP SC TO BAYONET

SIZE: A2 CAGE CODE: 00779 DRAWING NO: 5503137 RESTRICTED TO: -

MATERIAL: DIMENSIONS: mm TOLERANCES UNLESS OTHERWISE SPECIFIED: 0 PLC ±0.1, 1 PLC ±0.1, 2 PLC ±0.05, 3 PLC ±, 4 PLC ±, ANGLES ±, FINISH ±. WEIGHT: - APPLICATION SPEC: - PRODUCT SPEC: -

CUSTOMER DRAWING SCALE: 4:1 SHEET 1 OF 1 REV: DI

单击下面可查看定价，库存，交付和生命周期等信息

[>>TE Connectivity\(泰科\)](#)