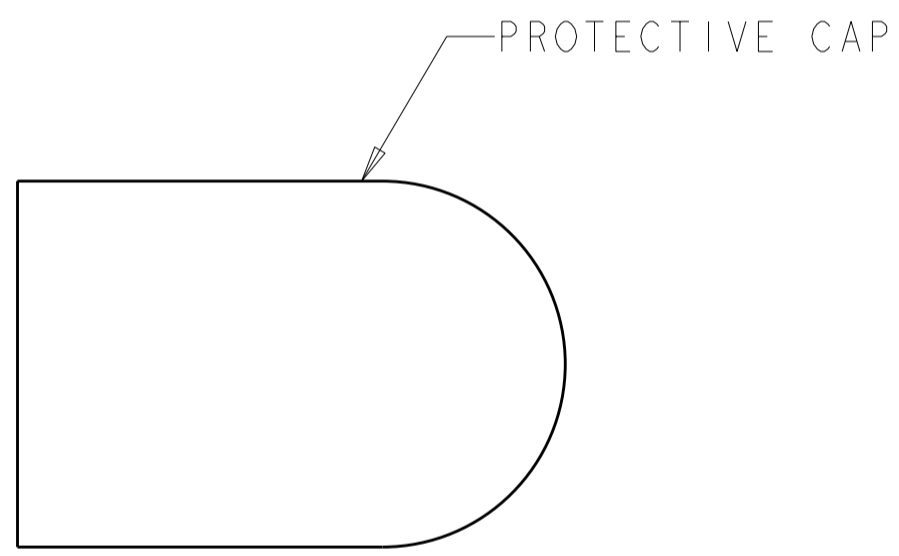
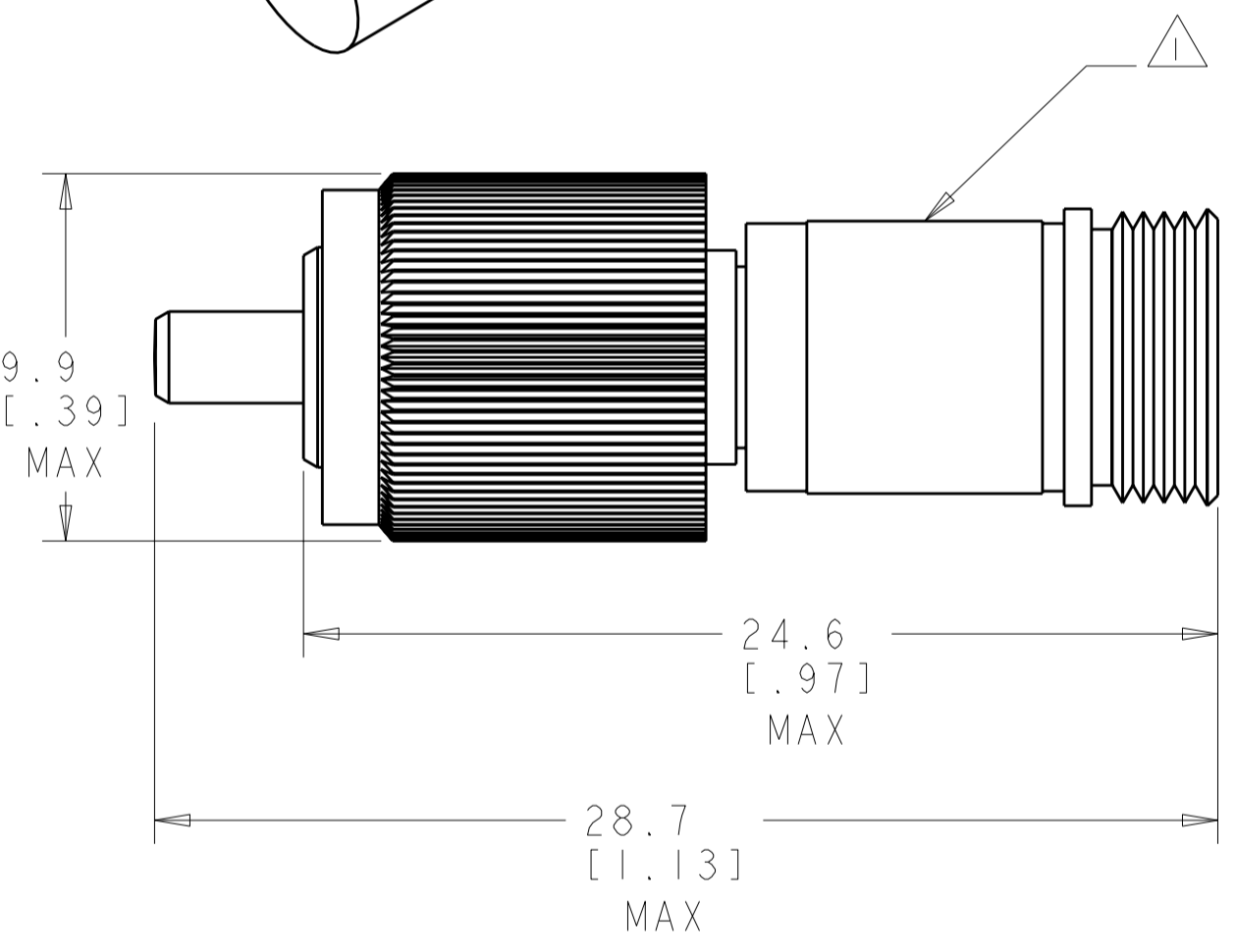
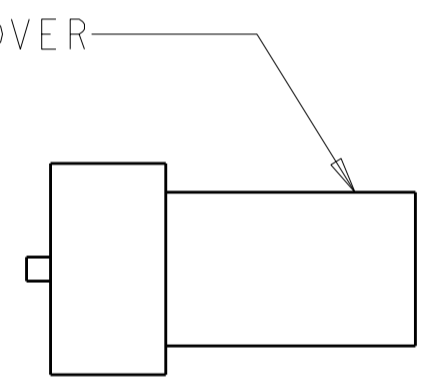
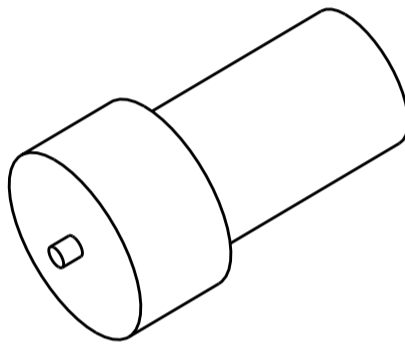
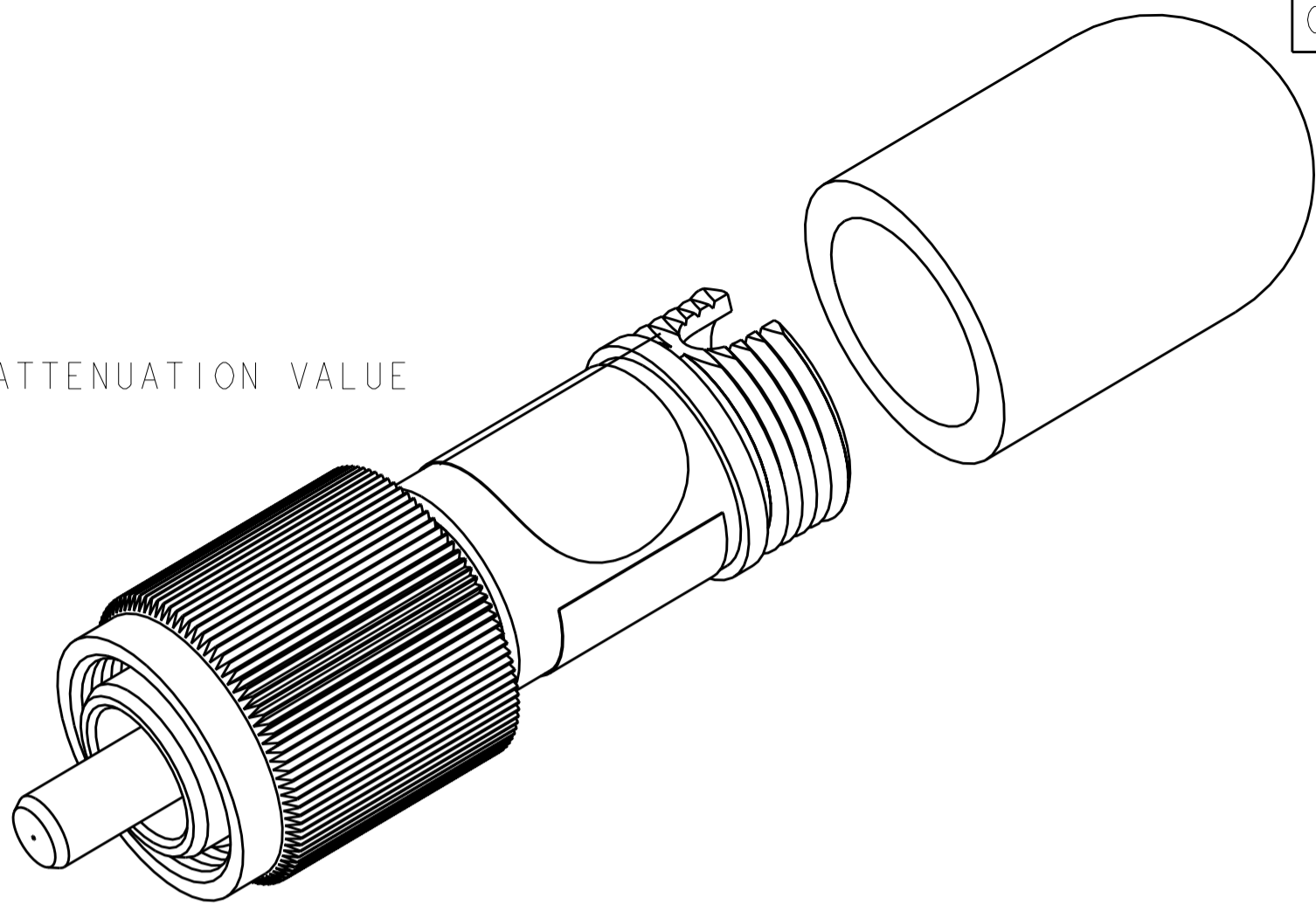


THIS DRAWING IS UNPUBLISHED. RELEASED FOR PUBLICATION 20  
 © COPYRIGHT 20 BY TYCO ELECTRONICS CORPORATION. ALL RIGHTS RESERVED.

LOC	DIST	REVISIONS			
P	LTR	DESCRIPTION	DATE	DWN	APVD
CE	00				
		C REVISE PER ECR-08-012828	02JUL2008	BB	DK

PERFORMANCE REQUIREMENTS:  
 OPERATING WAVELENGTH: 1260-1360 & 1430-1625nm  
 REFLECTANCE:  $\leq -55.5\text{dB}$   
 ATTENUATION TOLERANCE, AMBIENT:  
 FOR 0dB ATTENUATORS : +0.50dB MAX  
 FOR ATTENUATORS  $\leq 5\text{dB}$  :  $\pm 0.50\text{dB}$   
 FOR ATTENUATORS  $> 5\text{dB}$  :  $\pm 10\%$  OF NOMINAL ATTENUATION VALUE  
 MEASURED WITH REFERENCE QUALITY LAUNCH LEADS

ENDFACE GEOMETRY:  
 ROC: 10-25mm  
 APEX OFFSET:  $< 50\mu\text{m}$   
 FIBER HEIGHT:  $\pm 50\text{nm}$



NOMINAL ATTENUATION VALUE (dB)	PART NUMBER
0.5	7-5209285-0
0	9-5209285-9
1	5209285-1
2	5209285-2
3	5209285-3
4	5209285-4
5	5209285-5
6	5209285-6
7	5209285-7
7.5	7-5209285-7
8	5209285-8
9	5209285-9
10	1-5209285-0
11	1-5209285-1
12	1-5209285-2
13	1-5209285-3
14	1-5209285-4
15	1-5209285-5
18	1-5209285-8
19	1-5209285-9
20	2-5209285-0
25	2-5209285-5

⚠ TYCO ELECTRONICS LOGO, ATTENUATION VALUE, PART NUMBER, AND SERIAL NUMBER ARE PRINTED ON THE LABEL.

THIS DRAWING IS A CONTROLLED DOCUMENT FOR TYCO ELECTRONICS CORPORATION. IT IS SUBJECT TO CHANGE AND THE CONTROLLING ENGINEERING ORGANIZATION SHOULD BE CONTACTED FOR THE LATEST REVISION.		DWN E. HOPKINS 19DEC2005	Tyco Electronics Harrisburg, PA 17105-3608	
DIMENSIONS: mm [ INCHES ]		CHK E. HOPKINS 19DEC2005	NAME ATTENUATOR, FOPC BOA FC/UPC BP SM	
TOLERANCES UNLESS OTHERWISE SPECIFIED: 0 PLC $\pm$ 1 PLC $\pm$ 2 PLC $\pm$ 3 PLC $\pm$ 4 PLC $\pm$ ANGLES $\pm 2$ FINISH		APVD S. BUCHTER 19DEC2005	RESTRICTED TO	
MATERIAL		PRODUCT SPEC	SIZE	CAGE CODE
		APPLICATION SPEC	A2	00779
		WEIGHT	DRAWING NO	5209285
		CUSTOMER DRAWING	SCALE	5:1
			SHEET	1 OF 1
			REV	C

单击下面可查看定价，库存，交付和生命周期等信息

[>>TE Connectivity\(泰科\)](#)