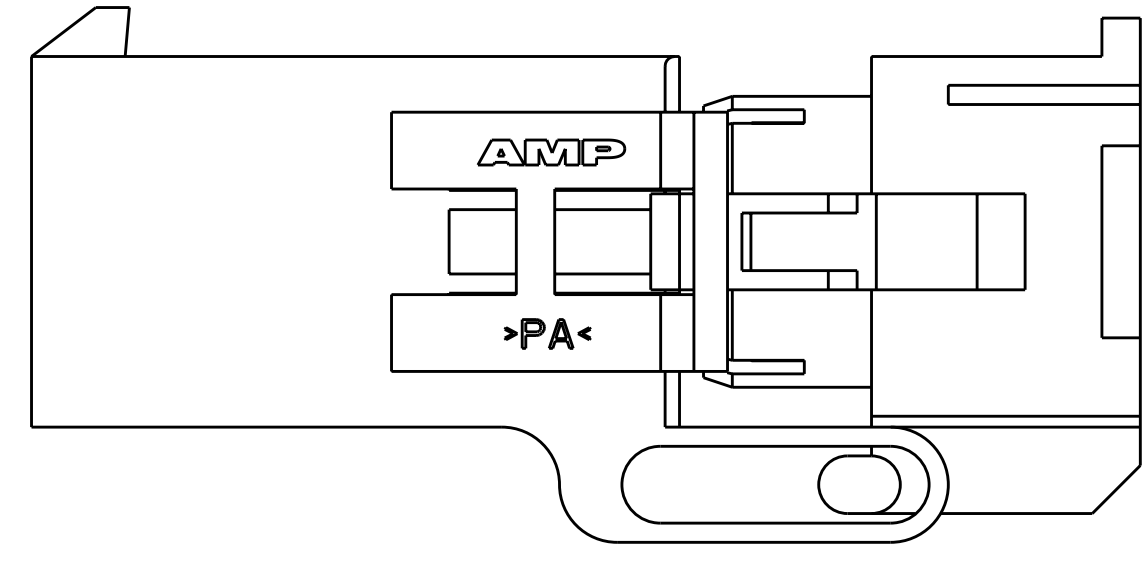
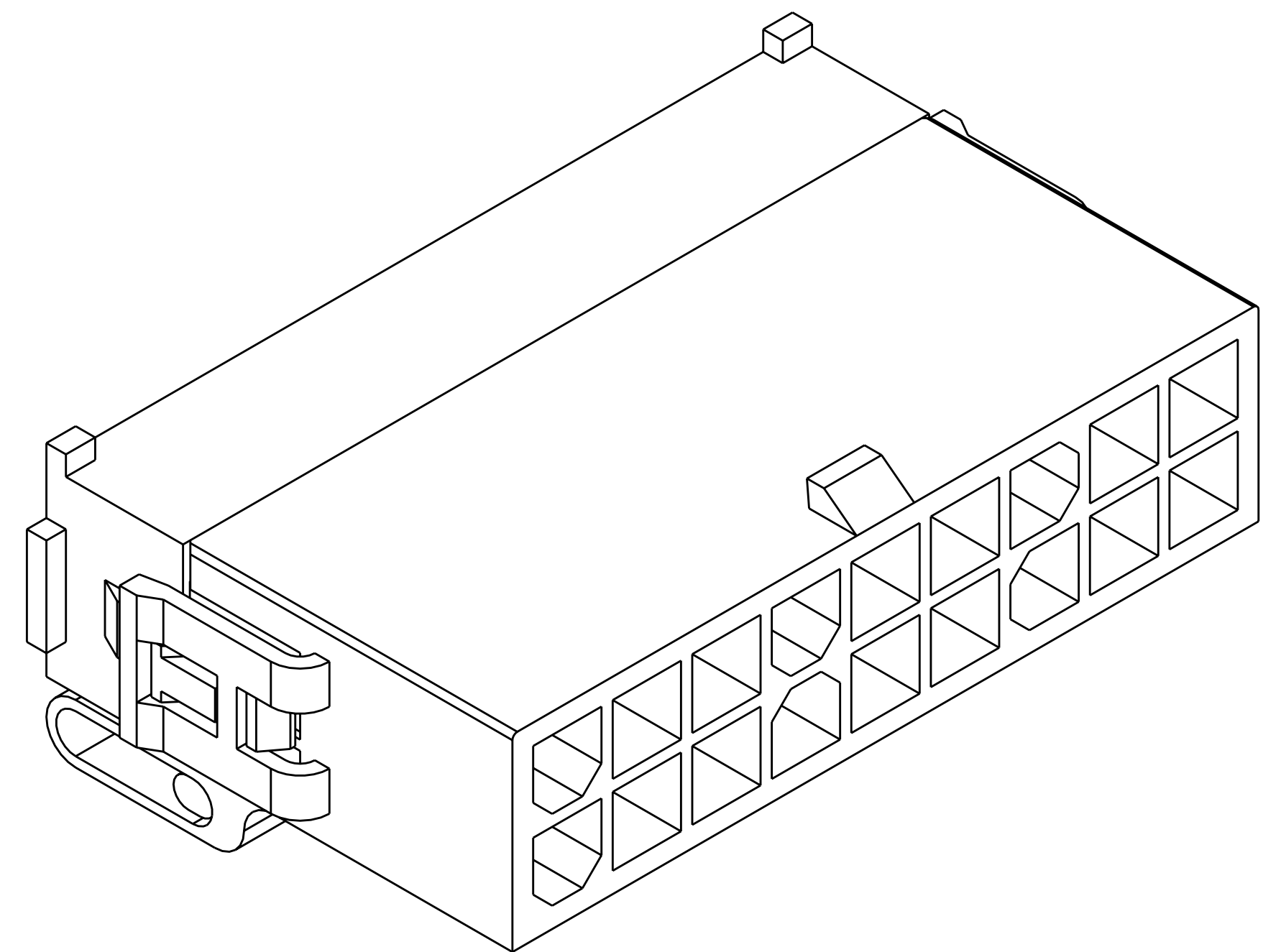
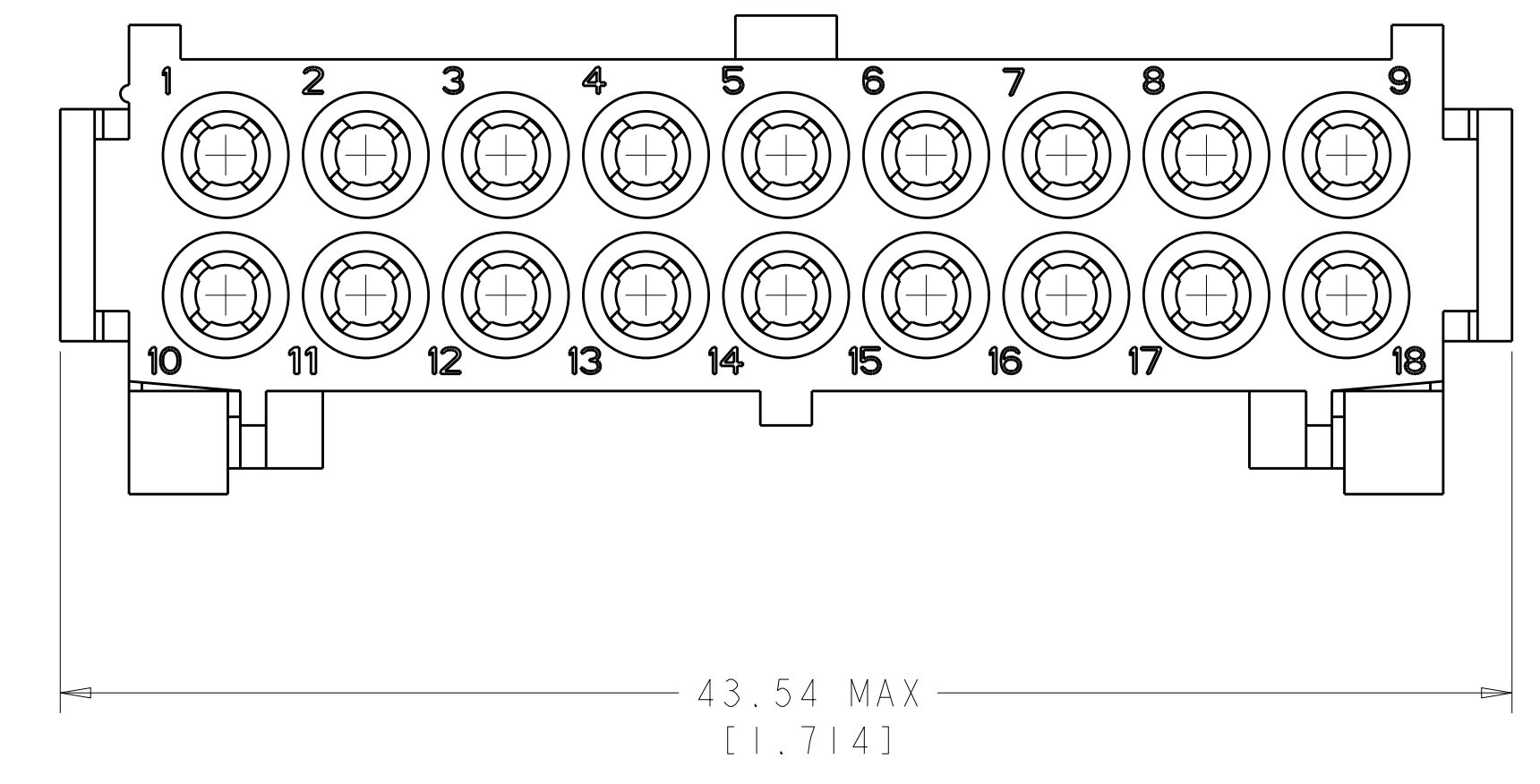
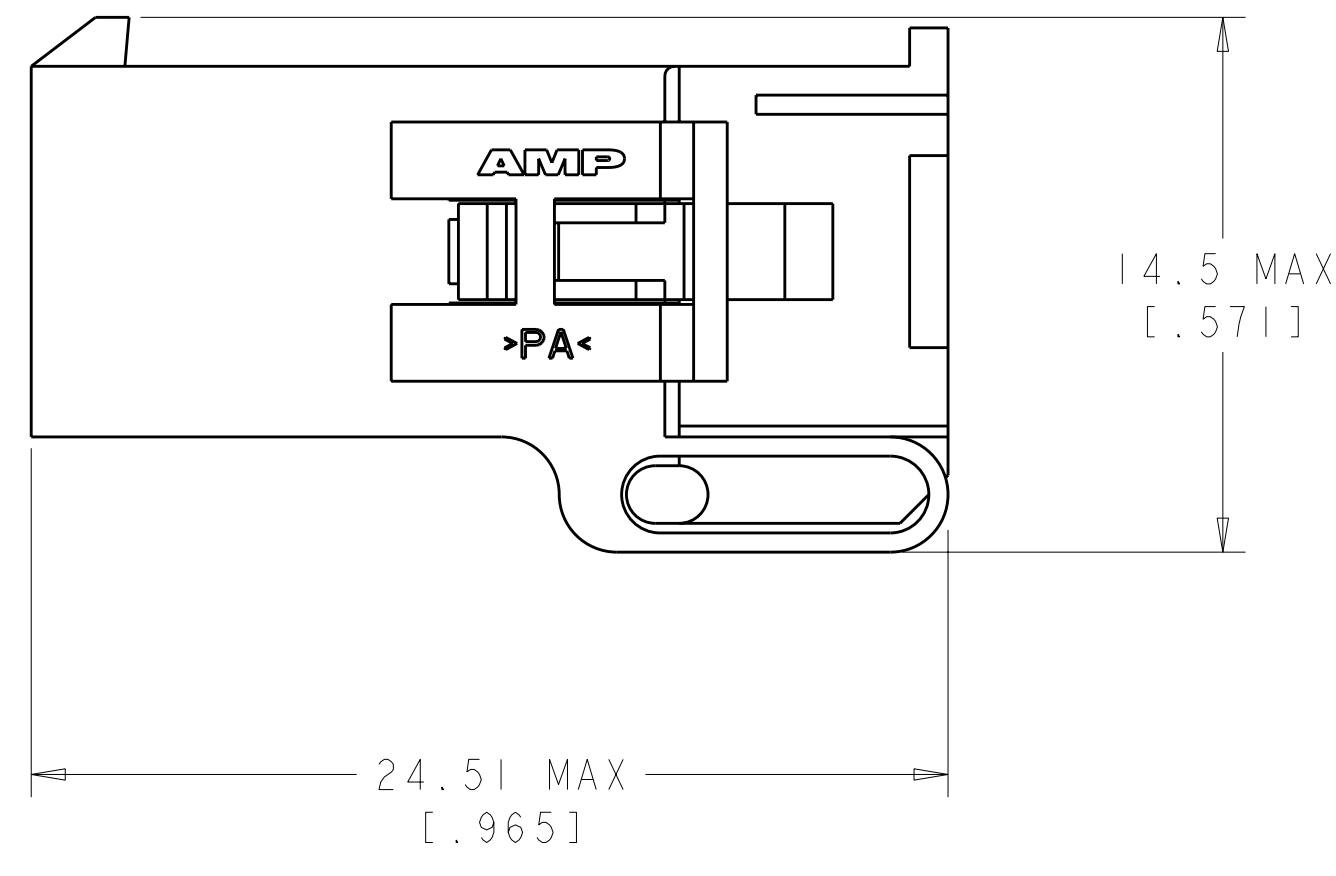
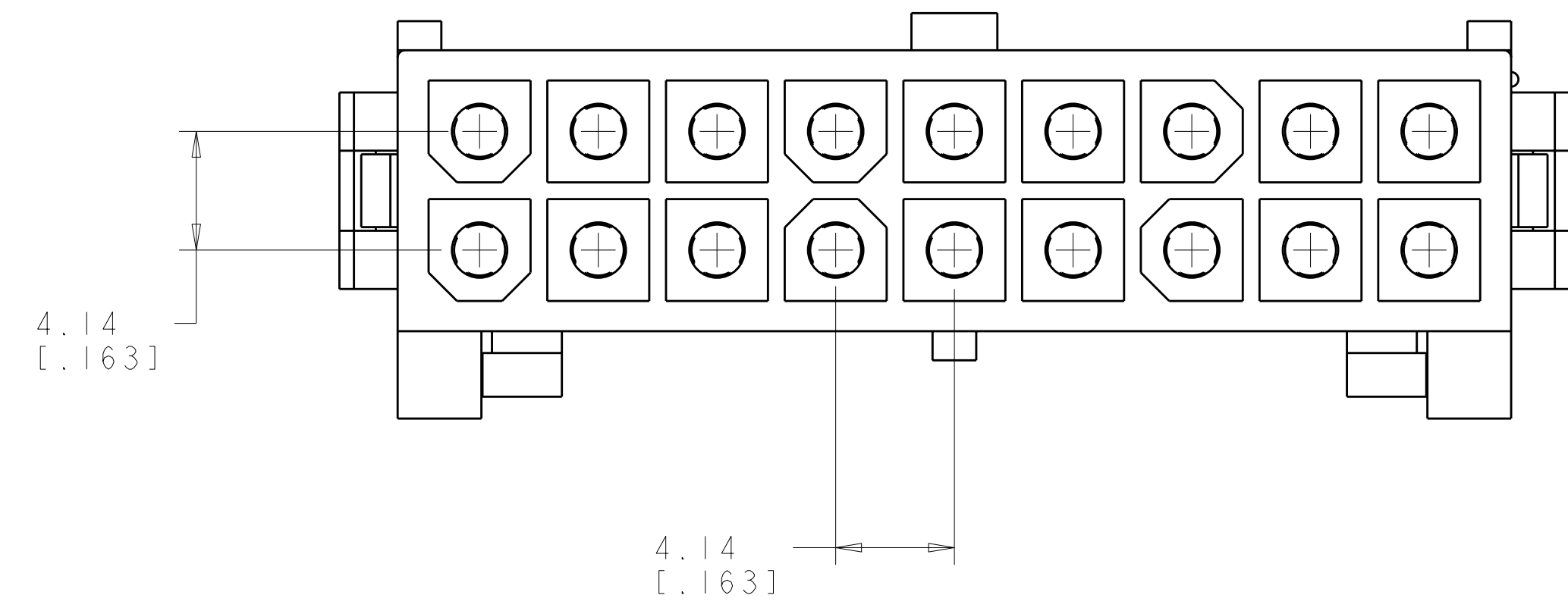


LOC	DIST	REVISIONS			
P	LTR	DESCRIPTION	DATE	DWN	APVD
CM	00	A1	ECO-07-016419	02AUG2007	KW CJ



PRE-STAGED CONDITION



0.334 IN ³	794209-1
VOLUME	PART NUMBER

<small>THIS DRAWING IS UNPUBLISHED. RELEASED FOR PUBLICATION. ALL RIGHTS RESERVED. THIS IS SUBJECT TO CHANGE WITHOUT NOTICE. FOR THE LATEST REVISIONS, CONTACT THE SUPPLIER.</small>		DWN: R. WHITAKER 01AUG2007 CHK: C. JONES 01AUG2007 APVD: C. JONES 01AUG2007	Tyco Electronics Harrisburg, PA 17105-3608
DIMENSIONS: mm [INCHES]	TOLERANCES UNLESS OTHERWISE SPECIFIED: 9 PLC ± 8 PLC ±0.13 (1.005) 5 PLC ± 4 PLC ± ANGLES ±0°30'	NAME: CAP. PRODUCT SPEC: DUAL ROW, 18' CIRCUIT, APPLICATION SPEC: MINI UNIVERSAL MATE-N-LOK(TM) 2	SIZE: A CAGE CODE: 100779 DRAWING NO: C=794209
MATERIAL: NYLON UL 94V-0, NATURAL	FINISH:	WEIGHT:	CUSTOMER DRAWING SCALE: 5:1 SHEET 1 OF 1 REV A1



单击下面可查看定价，库存，交付和生命周期等信息

[>>TE Connectivity\(泰科\)](#)